

## 3D PDF DATASHEET



eCATALOGsolutions



BIM catalogs.net



PARTsolutions



Create Your Individual 3D PDF Datasheet



Learn How to Create Your Mechanical Product Catalog



Learn How to Create Your BIM Product Catalog



Reduce Your Costs in Engineering and Purchasing



## ACS380-040S-04A8-1Architecture300IP20

200, 208, 230 or 240 V

### 3D View

To activate the interactive 3D view, you must trust this document (see hint on the top) in Adobe Acrobat and click on the question mark.



#### Zoom

Moves you toward or away from objects in the scene when you drag vertically. You can also zoom with the hand tool by holding down Shift as you drag.

#### Pan

Moves the model vertically and horizontally only. You can also pan with the hand tool: Ctrl-drag.

#### Rotate

Turns 3D objects around relative to the screen. How the objects move depends on the starting view, where you start dragging and the direction in which you drag.

3D PDF DATASHEET



eCATALOGsolutions



BIM catalogs.net



PARTsolutions



Create Your Individual 3D PDF Datasheet



Learn How to Create Your Mechanical Product Catalog



Learn How to Create Your BIM Product Catalog



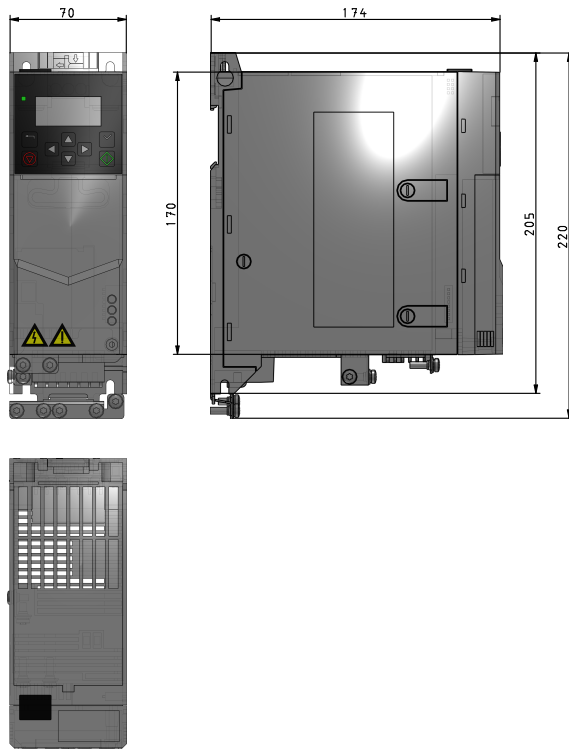
Reduce Your Costs in Engineering and Purchasing



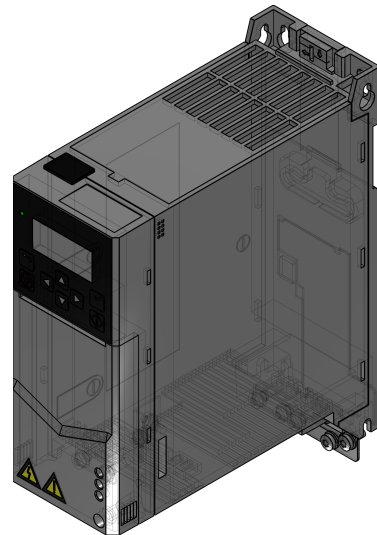
## ACS380-040S-04A8-1Architecture300IP20

200, 208, 230 or 240 V

2D derivation



ISO View



3D PDF DATASHEET



eCATALOGsolutions



BIM catalogs.net



PARTsolutions



Create Your Individual 3D PDF Datasheet



Learn How to Create Your Mechanical Product Catalog



Learn How to Create Your BIM Product Catalog



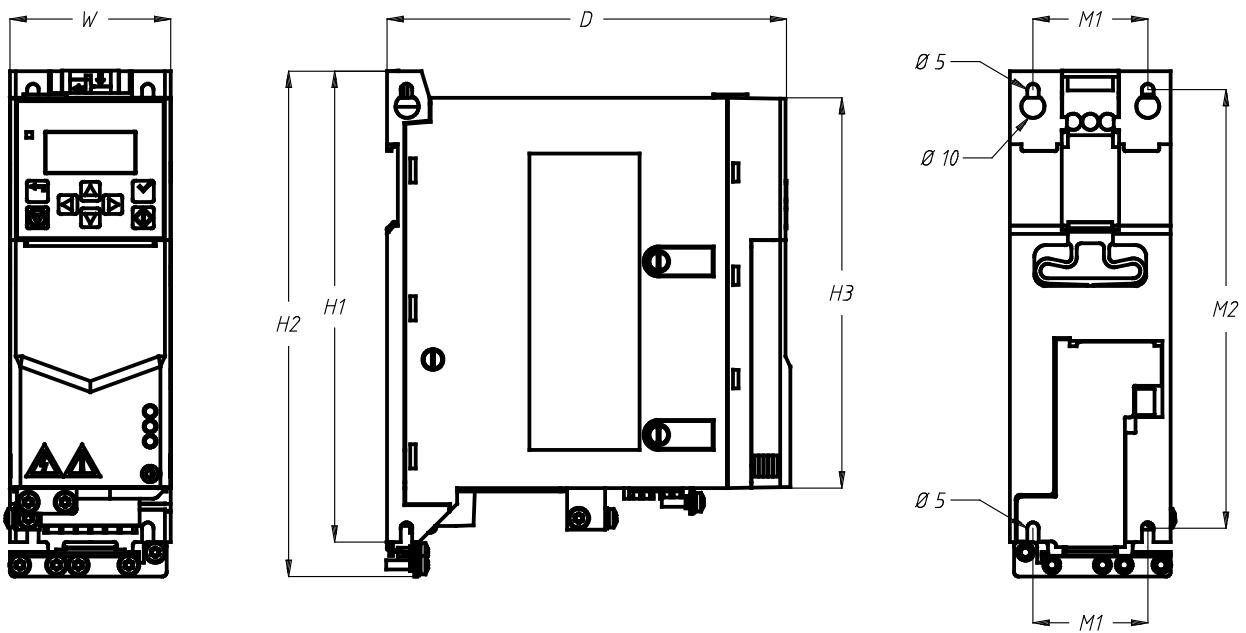
Reduce Your Costs in Engineering and Purchasing



## ACS380-040S-04A8-1Architecture300IP20

200, 208, 230 or 240 V

### Technical drawings





## ACS380-040S-04A8-1 Architecture 300 IP20

200, 208, 230 or 240 V

### Technical Data

TC (Type Code)	ACS380-040S-04A8-1
TYPE (Drive Type)	IP20
DOP (Drive Options)	Type 0
CONSTRUCTION (Construction)	Standard Drive
PHDHP (Power Heavy-duty use (150% overload for 1 min) / HP)	0.75
PHDKW (Power Heavy-duty use (150% overload for 1 min) / kW)	0.55
IHD (Current Heavy-duty use (150% overload for 1 min) / A)	3.7
IMAX (Maximum output current / A)	6.7
PLDHP (Power Light Duty (110% overload for 1 min) / HP)	1
PLDKW (Power Light Duty (110% overload for 1 min) / kW)	0.75
ILD (Current Light Duty (110% overload for 1 min) / A)	4.6
PNHP (Power Nominal ratings - No overload / HP)	1
PNKW (Power Nominal ratings - No overload / kW)	0.75
IN (Current Nominal ratings - No overload / A)	4.8
FS (Frame Size)	R1
LODDEST (LOD Destination)	Architecture
LODLEVEL (LOD Level)	300
H1 (Height (H1) / mm)	205
H2 (Height (H2) / mm)	220
H3 (Height (H3) / mm)	170
W (Width / mm)	70
D (Depth / mm)	174
M1 (M1 / mm)	50
M2 (M2 / mm)	191
WEIGHT (Weight / kg)	1.6
SIZE (Size)	04A8
OPTIONS (Option Codes)	N/A

# 3D PDF DATASHEET



 eCATALOG solutions




 BIM catalogs.net




 PART solutions



Create Your Individual 3D PDF Datasheet 

Learn How to Create Your Mechanical Product Catalog 

Learn How to Create Your BIM Product Catalog 

Reduce Your Costs in Engineering and Purchasing 



## ACS380-040S-04A8-1Architecture300IP20

200, 208, 230 or 240 V

### Bill of Materials

N°	Description	Amount
1	ACS380-040S-04A8-1Architecture300IP20	1