



Catalog

# Industrial plugs and sockets The complete range



# Contents

	Type	Page
<b>Introduction</b> .....		4
<b>IEC 60309-2 (clock)</b> .....		5
<b>Product overview</b>		
Critical & Safe.....		6
Tough & Safe .....		7
Easy & Safe .....		8
<b>News - Industrial plugs and sockets for entertainment</b>		
Plugs and sockets .....	P..B, C..B, .....	11
Surface socket outlet and inlet .....	RS...B, BS...B.....	12
Panel mounted socket outlet .....	RAM...B.....	13
Modular Combi for entertainment.....		13
<b>Plugs</b>		
Splashproof.....	P .....	14
Watertight.....	P.W .....	15
<b>Connectors</b>		
Splashproof.....	C .....	17
Watertight.....	C..W.....	18
<b>Switched interlocked socket outlets</b>		
Heavy duty .....	MVS..WH .....	22
Metal enclosed.....	MM .....	24
Horizontal .....	MHS .....	26
Vertical.....	MVS .....	29
With protection .....	MPM, MPR, MP .....	31
<b>Surface socket outlets</b>		
Plastic enclosed.....	RS.....	35
For looping .....	RL .....	39
With protection .....	RPM, RPR, RP .....	41
For wall socket box.....	CUED.....	46
<b>Surface inlets</b> .....		
	BS.....	47
<b>Panel mounted socket outlets</b>		
Outlets minimized straight flange .....	R .....	51
Outlets unified straight flange .....	RU .....	52
Outlets minimized angled flange.....	RAM .....	54
Outlets unified angled flange .....	RAU .....	55
<b>Panel mounted socket inlets</b>		
Inlets straight flange .....	B, BU .....	58
Inlets angled flange.....	BAU...W.....	60
<b>Modular combi outlet boxes</b> .....		
Plastic.....	MP, MPR .....	62
Metal.....	M .....	67
<b>Additional products and accessories</b> .....		
Adaptors.....		71
Phase sequence products.....		72
Emergency power inlet.....		73
Building site connection unit.....		74
Accessories.....		75
Spare parts.....		77
<b>News - Extra low voltage</b> .....		
Plugs.....	PLV .....	79
Connectors.....	CLV .....	80
Sockets-outlets for panel mounting.....	RLV .....	81
Socket-outlets for surface mounting.....	RSLV.....	81
Inlets for surface mounting .....	BSLV.....	82
<b>Technical data</b> .....		
		83
<b>Dimensions</b> .....		
		84
<b>Explanation of type codes</b> .....		
		96
<b>Material specifications</b> .....		
		97

# Industrial plugs and sockets

## A perfect choice

### ABB's industrial plugs and sockets are a part of the comprehensive ABB program of high quality low voltages products for industries, buildings and OEM's.

ABB has manufactured industrial plugs and sockets for over 60 years in the factory located in Nyköping, Sweden.

Long experience of developing and manufacturing plugs and sockets within ABB has resulted in a wide product range of high quality and a robust ergonomic design. Covering products up to 125 A and 690 V, all tested and approved for IEC standards.

The design and material used have continuously been improved to meet the customer's requirements, and to take the environmental aspects into consideration.

ABB's industrial plugs and sockets have the solution for products in industrial environments with high demands on safety, durability, reliability and cost saving for the end user.

- Safety - tested and approved by third party testing laboratories.
- Durability - materials used give a high durability in tough conditions and environments.
- Reliability - high quality contacts ensure reliability.
- Cost saving - designed for quick and easy installation.

You will find all you need in ABB's industrial plugs and sockets product range. One supplier for all your needs and worldwide availability.

### Perfect performance

ABB's plugs and sockets comply with the high quality standards requested when there is a demand for reliability and safety. Some are made of heavy-duty plastics (PBT), others of metal. Some have advanced features while others have a straight forward functionality. Perfect for demanding customers.

### Perfect productivity

The reliability of our plugs and sockets will help you maintain high up-time in operations. No unscheduled or unwanted interruptions, allowing you a high degree of flexibility.

### Perfect safety

Safety is also very important. By choosing ABB's plugs and sockets you minimize the risk of short circuits. You also ensure maximum personal safety for anyone nearby or around your equipment.

### Perfect for the job

Different applications and environments require different products. To make your choice of products easier, we have categorized our range into three groups. All groups have however one feature in common - Safety!



**CRITICAL  
& SAFE**

- Select Critical & Safe products for the highest safety in fixed installations.



**TOUGH  
& SAFE**

- Select Tough & Safe products for best performance in demanding and heavy-duty applications.



**EASY  
& SAFE**

- Select Easy & Safe products for adequate functionality and ergonomic design.

The structure of our main catalog is based on these three groups. Look for the three different symbols to make your choice.

### ABB's industrial plugs and sockets – a complete offer

- Approved according to IEC 60 309-1, -2, -4
- Range from 16 A up to 125 A.
- IP44 (splashproof) and IP67 (watertight).
- All contacts are self cleaning and calibrated, to maintain the accurate contact pressure, quality and performance over time.
- Plugs and sockets for 63 A and 125 A have pins and sleeves carriers in glass fiber reinforced polyamide.
- For devices in the Critical & Safe and Tough & Safe range, all external screws are made of stainless steel.
- Clear terminal markings inside and at the front of the devices.
- Switched interlocked socket-outlets for vertical or horizontal mounting.

### Pilot contact

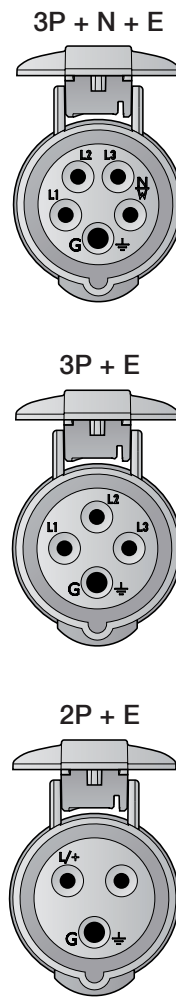
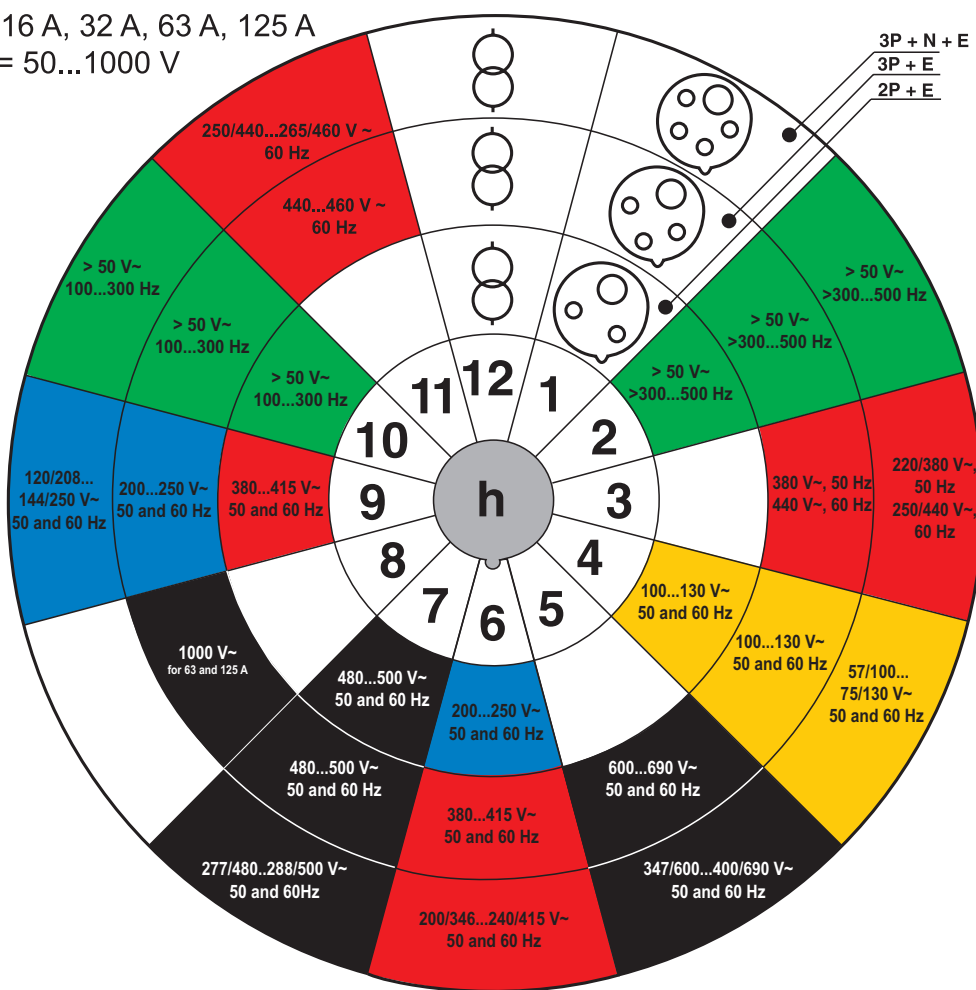
All male and female plugs and sockets with a rated current of 63 A and all males and interlocked socket outlets with a rated current of 125 A are equipped with a pilot contact. Connectors and panel mounted socket outlets with a rated current of 125 A and with "LP" at the end of the type designation, e.g. 4125C6W LP, are equipped with pilot contacts. In all products with pilot contacts according to IEC 60 309-1 and -2, the pilot pin and sleeve are shorter than the other connecting pins and sleeves. This means that the "pilot circuit" breaks before and connects after the main circuit giving optimum safety. The maximum connection area is 4 mm<sup>2</sup>.



# Industrial plugs and sockets

## IEC 60 309-2 "clock"

$I_e = 16 \text{ A}, 32 \text{ A}, 63 \text{ A}, 125 \text{ A}$   
 $U_e = 50 \dots 1000 \text{ V}$



### Standard voltages

Color codes according to IEC60309-1, -2

Position of earthing sleeve according to IEC 60309-2 (clock)	2P+earth	3P+earth	3P+N+earth
1	All operating voltages and/or currents not stated below	Optional voltage (not stated below)	Optional voltage (not stated below)
2	Aeronautics/airports, military	>50 V >300-500 Hz 16 A, 32 A	>50 V >300-500 Hz 16 A, 32 A
3	3-phase only for cooling containers (standardized by ISO)	50-250 V DC	380 V 50 Hz, 440 V 60 Hz 16 A, 32 A
4	For example in U.K.	100-130 V 50/60 Hz	100-130 V 50/60 Hz
5	Wind power	277 V 60 Hz	600-690 V 50/60 Hz
6	Most common voltages in Western Europe	200-250 V 50/60 Hz	380-415 V 50/60 Hz
7	Paper mills, steel plants, ship building industry	480-500 V 50/60 Hz	480-500 V 50/60 Hz
8		>250 V DC	1000 V *)
9		380-415 V 50/60 Hz	200-250 V 50/60 Hz
10		Not used	>50 V >100-300 Hz
11	Mainly for marine installations	Not used	440-460 V 60 Hz
12	Supply from isolating transformer	Supply from isolating transformer	Not used

\*) 1000 V for 63-125 A

# Product overview

## Critical & Safe



Critical & Safe is the range for applications with high demands on safety, durability and performance. Perfect for applications with frequent connection/disconnection, and to use in public areas.

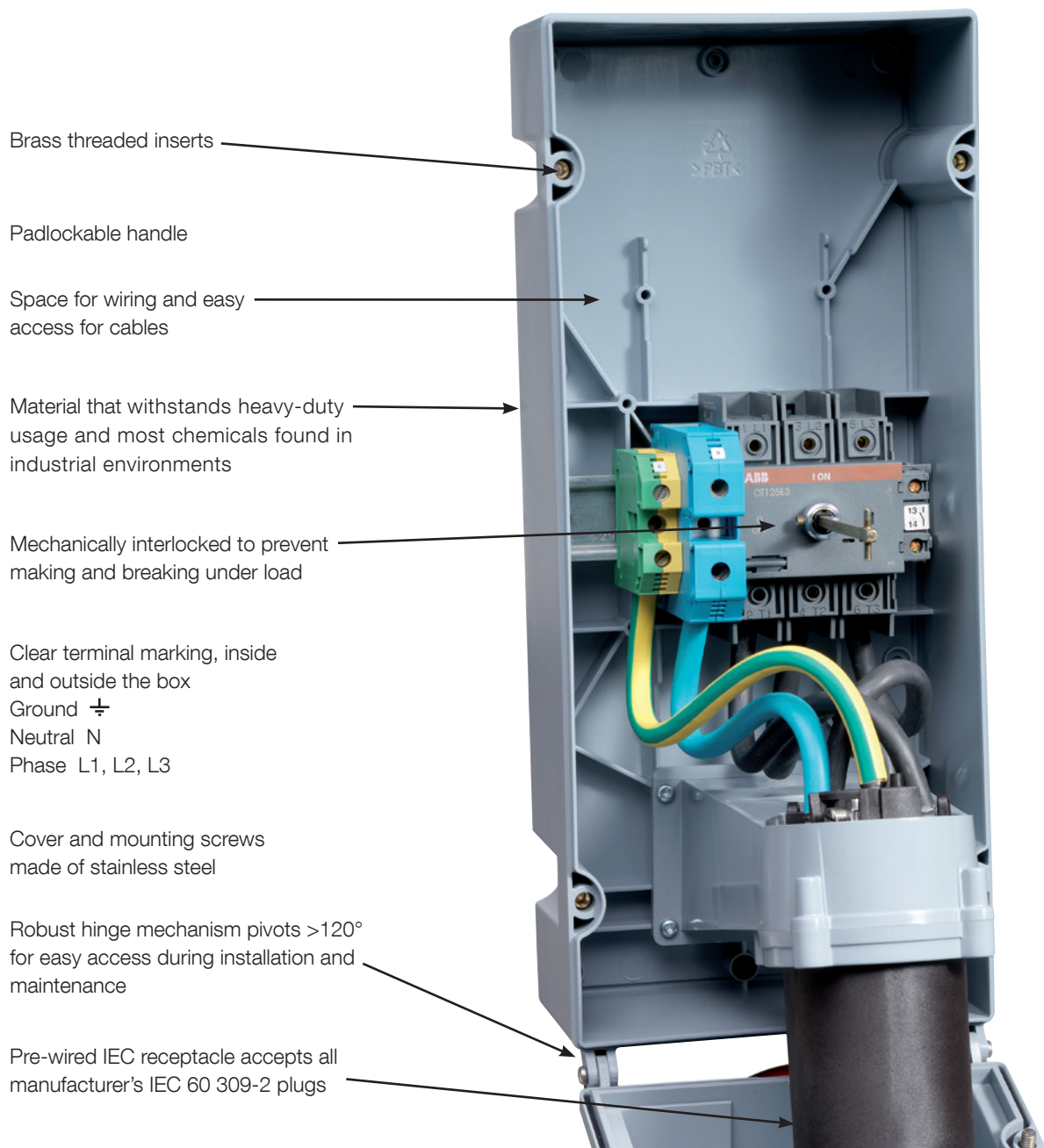
The housing is made of PBT or aluminum. PBT is a tough plastic material that withstands heavy-duty usage and most chemicals found in industrial environments. The aluminum housing is a mix of aluminium and silicon called silumin, which gives an excellent protection against corrosion while being robust and tough against impact and sunlight.

### Features

- IP67 Watertight or IP44 Splashproof
- 16-125 A, 50-690 VAC
- IEC 60 309-2, -4
- All external screws are made of stainless steel

### Application examples

- Heavy/chemical industry
- Sawmills
- Airports
- Hospitals



Type: 4125MVS6WH

# Product overview

## Tough & Safe



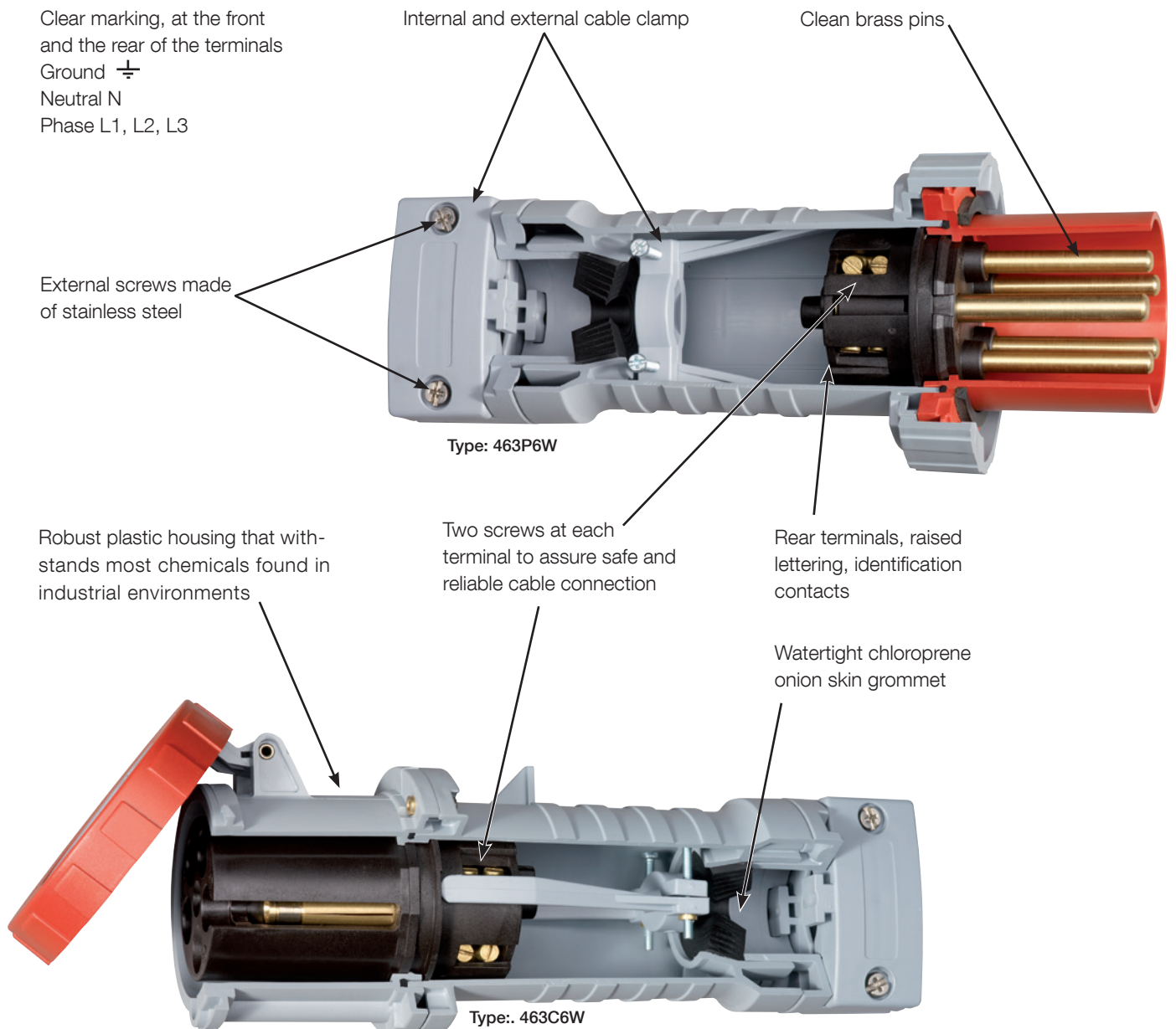
Tough & Safe is the range for applications in environments that have high demand of functionality and safety. The robust housing is made of PBT plastic. The range Tough & Safe is available as watertight (IP67, 16-125 A) and splashproof (IP44, 63 A). The devices are equipped with internal and external cable clamps. The 125 A devices are equipped with two screws on each terminal.

### Features

- IP67 Watertight or IP44 Splashproof
- 16-125 A, 50-690 VAC
- IEC 60 309-1, -2
- All external screws are made of stainless steel.

### Application examples

- Industry/workshops
- Harbours/shipyards
- Mines
- Food & beverage



# Product overview

## Easy & Safe



Without saving on quality, Easy & Safe is our basic range. The products have an ergonomic design and are full of small practical features. The plugs and connectors have a natural designed grip that makes it easy to work with during connection. The combined cable clamp/cable gland, where the strain relief is created by tightening of the gland nut, has a locking mechanism that will continuously apply pressure to the cable.

The installation is easy done due to the clear terminal marking. After connecting the cables the housing is easily closed by a twist. The plastic material PA is used to provide a device that meets requirements of quality and safety.

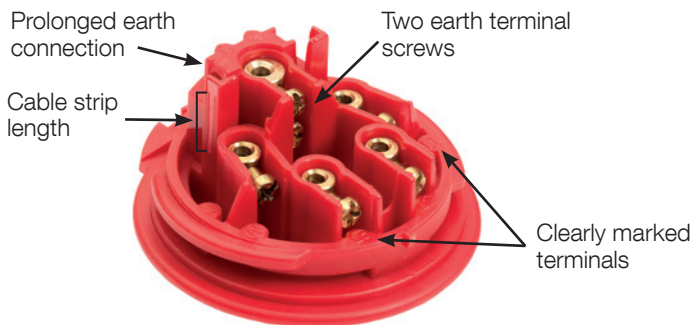
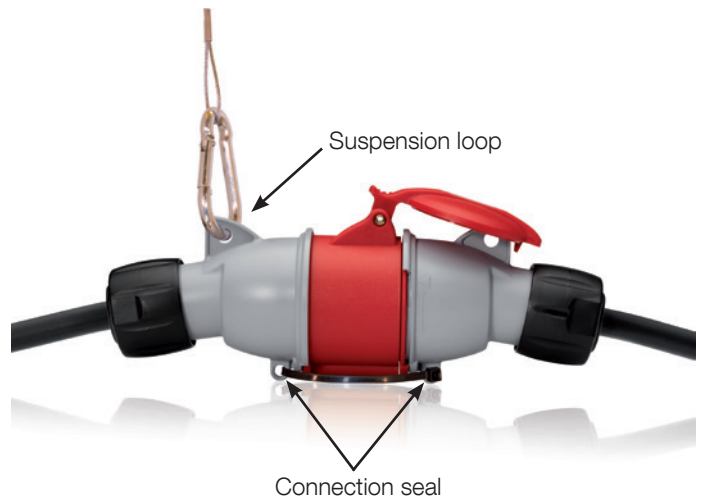
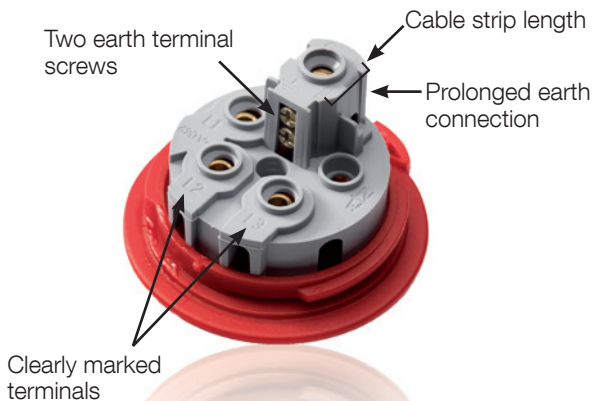
For the user, small features are included such as a sealing/locking feature to avoid accidental disconnection of for example a PA system. A suspension function that enables the user to hang the connector/plug that is not used on the wall or connect to a flexible wire in the ceiling (drop feed).

### Features

- IP44 Splashproof
- 16-32 A
- PA6 plastic material
- IEC 60 309-1, -2
- Superior grip
- Compact design

### Application examples

- Light industry
- Construction sites
- Farms
- General equipment



Combination of hard and soft plastic material - both flexible and hard



Cable gland tightening torque





# Product overview



Switched interlocked socket outlets, horizontal



16 A      32 A      63 A

Switched interlocked socket outlets, metal enclosed



16-32 A      63 A      125 A

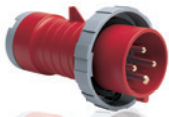
Switched interlocked socket outlets, heavy duty



16-32 A      63-125 A



Plugs



16 A



32 A



63 A



63 A



125 A

Connectors



16 A



32 A



63 A



63 A



125 A



Plugs



16 A



32 A

Connectors



16 A



32 A

Surface socket-outlets



16 A



32 A

Surface inlets



16 A



32 A

Panel mounted socket outlets



16-32 A



16-32 A

Panel mounted socket inlets



16 A



16-32 A



## New series of black plugs, sockets and Modular Combi

With extensive experience of designing and producing industrial plugs, sockets and Modular Combi, ABB can provide products of high quality, functionality, reliability and safety.

Regardless of the situation, safety of people should be of highest priority in electrical installations, always.



ABB is introducing a new series of black plugs, sockets and modular combi which are very well suited for entertainment applications, such as concerts, cinemas, television studios, and open-air events. The black series are perfect for both indoor and outdoor use, they will blend into their dark surroundings.

Pin and sleeve configuration according to IEC standard. Product labels give the information on which voltage range the product is intended for. The black series are at the high quality level that characterizes ABB's industrial plugs and sockets.

# Plugs and connectors



## Plug 16 A, IP44 Splashproof

Enclosure in plastic (PA).

Cable entry with compression gland. Cable area 1-2.5 mm<sup>2</sup>



Terminals/ Poles	Voltage V	Frequency Hz	Type	Order Code	Pkg qty	Weight kg/ea
<b>2P+E</b>						
3	200-250	50 and 60	216-P6B	2CMA100549R1000	10	0.11
3	380-415	50 and 60	216-P9B	2CMA101044R1000	10	0.11
<b>3P+E</b>						
4	380-415	50 and 60	316-P6B	2CMA100550R1000	10	0.16
<b>3P+N+E</b>						
5	346-415	50 and 60	416-P6B	2CMA100551R1000	10	0.17
5	208-250	50 and 60	416-P9B	2CMA101045R1000	10	0.17

## Plug 32 A, IP44 Splashproof

Enclosure in plastic (PA).

Cable entry with compression gland. Cable area 2.5-6 mm<sup>2</sup>



Terminals/ Poles	Voltage V	Frequency Hz	Type	Order Code	Pkg qty	Weight kg/ea
<b>2P+E</b>						
3	200-250	50 and 60	232-P6B	2CMA100552R1000	10	0.20
3	380-415	50 and 60	232-P9B	2CMA101046R1000	10	0.20
<b>3P+E</b>						
4	380-415	50 and 60	332-P6B	2CMA100553R1000	10	0.22
<b>3P+N+E</b>						
5	346-415	50 and 60	432-P6B	2CMA100554R1000	10	0.23
5	208-250	50 and 60	432-P9B	2CMA101047R1000	10	0.23



## Connector 16 A, IP44 Splashproof

Enclosure in plastic (PA).

Cable entry with compression gland. Cable area 1-2.5 mm<sup>2</sup>



Terminals/ Poles	Voltage V	Frequency Hz	Type	Order Code	Pkg qty	Weight kg/ea
<b>2P+E</b>						
3	200-250	50 and 60	216-C6B	2CMA100561R1000	10	0.16
3	380-415	50 and 60	216-C9B	2CMA101040R1000	10	0.16
<b>3P+E</b>						
4	380-415	50 and 60	316-C6B	2CMA100562R1000	10	0.21
<b>3P+N+E</b>						
5	346-415	50 and 60	416-C6B	2CMA100563R1000	10	0.23
5	208-250	50 and 60	416-C9B	2CMA101041R1000	10	0.23

## Connector 32 A, IP44 Splashproof

Enclosure in plastic (PA).

Cable entry with compression gland. Cable area 2.5-6 mm<sup>2</sup>



Terminals/ Poles	Voltage V	Frequency Hz	Type	Order Code	Pkg qty	Weight kg/ea
<b>2P+E</b>						
3	200-250	50 and 60	232-C6B	2CMA100564R1000	10	0.26
3	380-415	50 and 60	232-C9B	2CMA101042R1000	10	0.26
<b>3P+E</b>						
4	380-415	50 and 60	332-C6B	2CMA100565R1000	10	0.27
<b>3P+N+E</b>						
5	346-415	50 and 60	432-C6B	2CMA100566R1000	10	0.30
5	208-250	50 and 60	432-C9B	2CMA101043R1000	10	0.30

- Accessories .....page 70
- Technical data.....page 83
- Dimensions.....page 84

# Surface socket outlet and inlet



## Surface socket outlet 16 A, IP44 Splashproof



Enclosure in plastic (PA). Flexible membrane and metric threaded M20 insert for top cable entry. Rear knock-out cable entry. Cable entry with compression gland. Cable area 1.5-4 mm<sup>2</sup>

Terminals/ Poles	Voltage V	Frequency Hz	Type	Order Code	Pkg qty	Weight kg/ea
<b>2P+E</b>						
3	200-250	50 and 60	216RS6B	2CMA101021R1000	10	0.22
3	380-415	50 and 60	216RS9B	2CMA101052R1000	10	0.22
<b>3P+E</b>						
4	380-415	50 and 60	316RS6B	2CMA101022R1000	10	0.24
4	200-250	50 and 60	316RS9B	2CMA101053R1000	10	0.24
<b>3P+N+E</b>						
5	346-415	50 and 60	416RS6B	2CMA101023R1000	10	0.26
5	208-250	50 and 60	416RS9B	2CMA101054R1000	10	0.26

## Surface socket outlet 32 A, IP44 Splashproof



Enclosure in plastic (PA). Flexible membrane and metric threaded M25 insert for top cable entry. Rear knock-out cable entry. Cable entry with compression gland. Cable area 1.5-4 mm<sup>2</sup>

Terminals/ Poles	Voltage V	Frequency Hz	Type	Order Code	Pkg qty	Weight kg/ea
<b>2P+E</b>						
3	200-250	50 and 60	232RS6B	2CMA101024R1000	10	0.30
3	380-415	50 and 60	232RS9B	2CMA101055R1000	10	0.30
<b>3P+E</b>						
4	380-415	50 and 60	332RS6B	2CMA101025R1000	10	0.32
4	200-250	50 and 60	332RS9B	2CMA101056R1000	10	0.32
<b>3P+N+E</b>						
5	346-415	50 and 60	432RS6B	2CMA101026R1000	10	0.34
5	208-250	50 and 60	432RS9B	2CMA101057R1000	10	0.34

- Accessories .....page 70
- Technical data.....page 83
- Dimensions.....page 85



## Surface inlets 16 A, IP44 Splashproof



Enclosure in plastic (PA). Flexible membrane and metric threaded M20 insert for top cable entry. Rear knock-out cable entry. Cable entry with compression gland. Cable area 1.5-4 mm<sup>2</sup>

Terminals/ Poles	Voltage V	Frequency Hz	Type	Order Code	Pkg qty	Weight kg/ea
<b>2P+E</b>						
3	200-250	50 and 60	216BS6B	2CMA101027R1000	10	0.15
3	380-415	50 and 60	216BS9B	2CMA101058R1000	10	0.15
<b>3P+E</b>						
4	380-415	50 and 60	316BS6B	2CMA101028R1000	10	0.19
4	200-250	50 and 60	316BS9B	2CMA101059R1000	10	0.19
<b>3P+N+E</b>						
5	346-415	50 and 60	416BS6B	2CMA101029R1000	10	0.20
5	208-250	50 and 60	416BS9B	2CMA101060R1000	10	0.20

## Surface inlets 32 A, IP44 Splashproof



Enclosure in plastic (PA). Flexible membrane and metric threaded M25 insert for top cable entry. Rear knock-out cable entry. Cable entry with compression gland. Cable area 2.5-10 mm<sup>2</sup>

Terminals/ Poles	Voltage V	Frequency Hz	Type	Order Code	Pkg qty	Weight kg/ea
<b>2P+E</b>						
3	200-250	50 and 60	232BS6B	2CMA101030R1000	10	0.25
3	380-415	50 and 60	232BS9B	2CMA101061R1000	10	0.25
<b>3P+E</b>						
4	380-415	50 and 60	332BS6B	2CMA101031R1000	10	0.27
4	200-250	50 and 60	332BS9B	2CMA101062R1000	10	0.27
<b>3P+N+E</b>						
5	346-415	50 and 60	432BS6B	2CMA101032R1000	10	0.29
5	208-250	50 and 60	432BS9B	2CMA101063R1000	10	0.29

- Accessories .....page 70
- Technical data.....page 83
- Dimensions.....page 91

# Panel mounted socket outlet



## Panel mounted socket outlet 16 A, IP44 Splashproof Enclosure in plastic (PA). Cable area 1.5-4 mm<sup>2</sup>



Terminals/ Poles	Voltage V	Frequency Hz	Type	Order Code	Pkg qty	Weight kg/ea
<b>2P+E</b>						
3	200-250	50 and 60	216RAM6B	2CMA100543R1000	10	0.21
3	380-415	50 and 60	216RAM9B	2CMA101048R1000	10	0.21
<b>3P+E</b>						
4	380-415	50 and 60	316RAM6B	2CMA100544R1000	10	0.22
<b>3P+N+E</b>						
5	346-415	50 and 60	416RAM6B	2CMA100545R1000	10	0.24
5	208-250	50 and 60	416RAM9B	2CMA101049R1000	10	0.24

## Panel mounted socket outlet 32 A, IP44 Splashproof Enclosure in plastic (PA). Cable area 2.5-6 mm<sup>2</sup>



Terminals/ Poles	Voltage V	Frequency Hz	Type	Order Code	Pkg qty	Weight kg/ea
<b>2P+E</b>						
3	200-250	50 and 60	232RAM6B	2CMA100546R1000	10	0.21
3	380-415	50 and 60	232RAM9B	2CMA101050R1000	10	0.21
<b>3P+E</b>						
4	380-415	50 and 60	332RAM6B	2CMA100547R1000	10	0.22
<b>3P+N+E</b>						
5	346-415	50 and 60	432RAM6B	2CMA100548R1000	10	0.24
5	208-250	50 and 60	432RAM9B	2CMA101051R1000	10	0.24

- Accessories .....page 70
- Technical data.....page 83
- Dimensions.....page 89

”Customized modular combi is now available in an all-black plastic version. Contact us for quotation on a box with a combination of sockets that will fit the specific needs in your application”



# Plugs



## 16 A, IP44 Splashproof

Plastic enclosure (PA)

Cable entry with compression gland. Cable area 1-2.5 mm<sup>2</sup>



Terminals/ poles	Color code	Voltage V	Frequency Hz	Type	Order code	Pack qty	Weight kg/ea
<b>2P+E</b>							
3	Grey		AC	216-P1 *	2CMA193535R1000	10	0.11
3	Yellow	100-130	50 and 60	216-P4 *	2CMA193500R1000	10	0.11
3	Blue	200-250	50 and 60	216-P6 *	2CMA193501R1000	10	0.11
3	Red	380-415	50 and 60	216-P9 *	2CMA193502R1000	10	0.11
3	Grey	transf	50 and 60	216-P12 *	2CMA193503R1000	10	0.11
<b>3P+E</b>							
4	Yellow	100-130	50 and 60	316-P4 *	2CMA193504R1000	10	0.16
4	Black	600-690	50 and 60	316-P5 *	2CMA193505R1000	10	0.16
4	Red	380-415	50 and 60	316-P6 *	2CMA193506R1000	10	0.16
4	Black	480-500	50 and 60	316-P7 *	2CMA193507R1000	10	0.16
4	Blue	200-250	50 and 60	316-P9 *	2CMA193508R1000	10	0.16
4	Red	440-460	60	316-P11 *	2CMA193509R1000	10	0.16
<b>3P+N+E</b>							
5	Grey		AC	416-P1 *	2CMA193510R1000	10	0.17
5	Red	220/250	50/60	416-P3	2CMA193536R1000	10	0.17
5	Red	346-415	50 and 60	416-P6 *	2CMA193511R1000	10	0.17



## 32 A, IP44 Splashproof

Plastic enclosure (PA)

Cable entry with compression gland. Cable area 2.5-6 mm<sup>2</sup>



Terminals/ poles	Color code	Voltage V	Frequency Hz	Type	Order code	Pack qty	Weight kg/ea
<b>2P+E</b>							
3	Yellow	100-130	50 and 60	232-P4 *	2CMA193512R1000	10	0.20
3	Blue	200-250	50 and 60	232-P6 *	2CMA193513R1000	10	0.20
<b>3P+E</b>							
4	Red	380/440	50/60	332-P3	2CMA193537R1000	10	0.22
4	Black	600-690	50 and 60	332-P5	2CMA193514R1000	10	0.22
4	Red	380-415	50 and 60	332-P6 *	2CMA193515R1000	10	0.22
4	Black	480-500	50 and 60	332-P7 *	2CMA193516R1000	10	0.22
4	Blue	200-250	50 and 60	332-P9 *	2CMA193517R1000	10	0.22
4	Red	440-460	60	332-P11 *	2CMA193518R1000	10	0.22
<b>3P+N+E</b>							
5	Red	346-415	50 and 60	432-P6 *	2CMA193519R1000	10	0.23



## 63 A, IP44 Splashproof

Plastic enclosure (PBT)

Cable entry with membrane. Cable area 4-16 mm<sup>2</sup>



Terminals/ poles	Color code	Voltage V	Frequency Hz	Type	Order code	Pack qty	Weight kg/ea
<b>2P+E</b>							
3	Yellow	100-130	50 and 60	263P4	2CMA166740R1000	1	0.60
3	Blue	200-250	50 and 60	263P6 *	2CMA166742R1000	1	0.60
<b>3P+E</b>							
4	Black	600-690	50 and 60	363P5	2CMA166750R1000	1	0.70
4	Red	380-415	50 and 60	363P6 *	2CMA166752R1000	1	0.70
4	Black	480-500	50 and 60	363P7 *	2CMA166754R1000	1	0.70
4	Blue	200-250	50 and 60	363P9	2CMA166756R1000	1	0.70
<b>3P+N+E</b>							
5	Red	346-415	50 and 60	463P6 *	2CMA166764R1000	1	0.75

\*) Indicates standard product.

- Accessories .....page 70
- Technical data.....page 83
- Dimensions.....page 84

# Plugs



## 16 A, IP67 Watertight

Plastic enclosure (PBT)

Cable entry with compression gland. Cable area 1-2.5 mm<sup>2</sup>



Terminals/ poles	Color code	Voltage V	Frequency Hz	Type	Order code	Pack	Weight kg/ea
<b>2P+E</b>							
3	Grey		AC	216P1W	2CMA166466R1000	1	0.18
3	Grey	>50-250	DC	216P3W	2CMA166456R1000	1	0.18
3	Yellow	100-130	50 and 60	216P4W *	2CMA166458R1000	1	0.18
3	Blue	200-250	50 and 60	216P6W *	2CMA166460R1000	1	0.18
3	Red	380-415	50 and 60	216P9W	2CMA166462R1000	1	0.18
3	Grey	transf	50 and 60	216P12W	2CMA166464R1000	1	0.18
<b>3P+E</b>							
4	Grey		AC	316P1W	2CMA166486R1000	1	0.24
4	Green	>50	>300-500	316P2W	2CMA166468R1000	1	0.24
4	Red	380/440	50/60	316P3W	2CMA166470R1000	1	0.24
4	Yellow	100-130	50 and 60	316P4W	2CMA166472R1000	1	0.24
4	Black	600-690	50 and 60	316P5W *	2CMA166474R1000	1	0.24
4	Red	380-415	50 and 60	316P6W *	2CMA166476R1000	1	0.24
4	Black	480-500	50 and 60	316P7W	2CMA166478R1000	1	0.24
4	Blue	200-250	50 and 60	316P9W	2CMA166480R1000	1	0.24
4	Green	>50	100-300	316P10W	2CMA166482R1000	1	0.24
4	Red	440-460	60	316P11W	2CMA166484R1000	1	0.24
<b>3P+N+E</b>							
5	Grey		AC	416P1W	2CMA166502R1000	1	0.26
5	Green	>50	>300-500	416P2W	2CMA166488R1000	1	0.26
5	Yellow	100-130	50 and 60	416P4W	2CMA166492R1000	1	0.26
5	Red	346-415	50 and 60	416P6W *	2CMA166494R1000	1	0.26
5	Black	480-500	50 and 60	416P7W	2CMA166496R1000	1	0.26
5	Blue	208-250	50 and 60	416P9W	2CMA166498R1000	1	0.26
5	Red	440-460	60	416P11W	2CMA166500R1000	1	0.26



## 32 A, IP67 Watertight

Plastic enclosure (PBT)

Cable entry with compression gland. Cable area 2.5-6 mm<sup>2</sup>



Terminals/ poles	Color code	Voltage V	Frequency Hz	Type	Order code	Pack	Weight kg/ea
<b>2P+E</b>							
3	Grey		AC	232P1W	2CMA166728R1000	1	0.28
3	Yellow	100-130	50 and 60	232P4W	2CMA166504R1000	1	0.28
3	Blue	200-250	50 and 60	232P6W *	2CMA166722R1000	1	0.28
3	Red	380-415	50 and 60	232P9W	2CMA166724R1000	1	0.28
3	Grey	transf	50 and 60	232P12W	2CMA166726R1000	1	0.28
<b>3P+E</b>							
4	Grey		AC	332P1W	2CMA166516R1000	1	0.30
4	Green	>50	>300-500	332P2W	2CMA166730R1000	1	0.30
4	Red	380/440	50/60	332P3W	2CMA166732R1000	1	0.30
4	Yellow	100-130	50 and 60	332P4W	2CMA166734R1000	1	0.30
4	Black	600-690	50 and 60	332P5W	2CMA166736R1000	1	0.30
4	Red	380-415	50 and 60	332P6W *	2CMA166738R1000	1	0.30
4	Black	480-500	50 and 60	332P7W	2CMA166506R1000	1	0.30
4	Blue	200-250	50 and 60	332P9W	2CMA166508R1000	1	0.30
4	Green	>50	100-300	332P10W	2CMA166510R1000	1	0.30
4	Red	440-460	60	332P11W	2CMA166513R1000	1	0.30
<b>3P+N+E</b>							
5	Grey		AC	432P1W	2CMA166532R1000	1	0.32
5	Green	>50	>300-500	432P2W	2CMA166518R1000	1	0.32
5	Red	380/440	50/60	432P3W	2CMA166520R1000	1	0.32
5	Yellow	100-130	50 and 60	432P4W	2CMA166522R1000	1	0.32
5	Red	346-415	50 and 60	432P6W *	2CMA166524R1000	1	0.32
5	Black	480-500	50 and 60	432P7W	2CMA166526R1000	1	0.32
5	Blue	208-250	50 and 60	432P9W	2CMA166528R1000	1	0.32
5	Red	440-460	60	432P11W	2CMA166530R1000	1	0.32

\*) Indicates standard product.

- Accessories ..... page 70
- Technical data ..... page 83
- Dimensions ..... page 84

# Plugs



## 63 A, IP67 Watertight

Plastic enclosure (PBT)

Cable entry with compression gland, internal and external cable clamp.

Cable area 4-16 mm<sup>2</sup>



Terminals/ poles	Color code	Voltage V	Frequency Hz	Type	Order code	Pack	Weight kg/ea
<b>2P+E</b>							
3	Grey		AC	263P1W	2CMA166780R1000	1	0.95
3	Yellow	100-130	50 and 60	263P4W	2CMA166774R1000	1	0.95
3	Blue	200-250	50 and 60	263P6W	2CMA166776R1000	1	0.95
3	Red	380-415	50 and 60	263P9W	2CMA166778R1000	1	0.95
<b>3P+E</b>							
4	Grey		AC	363P1W	2CMA166794R1000	1	1.05
4	Yellow	100-130	50 and 60	363P4W	2CMA166782R1000	1	1.05
4	Black	600-690	50 and 60	363P5W	2CMA166784R1000	1	1.05
4	Red	380-415	50 and 60	363P6W *	2CMA166786R1000	1	1.05
4	Black	480-500	50 and 60	363P7W	2CMA166788R1000	1	1.05
4	Blue	200-250	50 and 60	363P9W	2CMA166790R1000	1	1.05
4	Red	440-460	60	363P11W	2CMA166792R1000	1	1.05
<b>3P+N+E</b>							
5	Grey		AC	463P1W	2CMA166806R1000	1	1.15
5	Yellow	100-130	50 and 60	463P4W	2CMA166796R1000	1	1.15
5	Red	346-415	50 and 60	463P6W *	2CMA166798R1000	1	1.15
5	Black	480-500	50 and 60	463P7W	2CMA166800R1000	1	1.15
5	Blue	208-250	50 and 60	463P9W	2CMA166802R1000	1	1.15
5	Red	440-460	60	463P11W	2CMA166804R1000	1	1.15



## 125 A, IP67 Watertight

Plastic enclosure (PBT)

Cable entry with compression gland, internal and external cable clamp.

Cable area 16-50 mm<sup>2</sup>



Terminals/ poles	Color code	Voltage V	Frequency Hz	Type	Order code	Pack	Weight kg/ea
<b>2P+E</b>							
3	Grey		AC	2125P1W	2CMA166812R1000	1	1.32
3	Yellow	100-130	50 and 60	2125P4W	2CMA166808R1000	1	1.32
3	Blue	200-250	50 and 60	2125P6W	2CMA166810R1000	1	1.32
<b>3P+E</b>							
4	Grey		AC	3125P1W	2CMA166824R1000	1	1.43
4	Yellow	100-130	50 and 60	3125P4W	2CMA166814R1000	1	1.43
4	Black	600-690	50 and 60	3125P5W	2CMA166815R1000	1	1.43
4	Red	380-415	50 and 60	3125P6W *	2CMA166816R1000	1	1.43
4	Black	480-500	50 and 60	3125P7W	2CMA166818R1000	1	1.43
4	Blue	200-250	50 and 60	3125P9W	2CMA166820R1000	1	1.43
4	Red	440-460	60	3125P11W	2CMA166822R1000	1	1.43
<b>3P+N+E</b>							
5	Grey		AC	4125P1W	2CMA166836R1000	1	1.54
5	Yellow	100-130	50 and 60	4125P4W	2CMA166826R1000	1	1.54
5	Red	346-415	50 and 60	4125P6W *	2CMA166828R1000	1	1.54
5	Black	480-500	50 and 60	4125P7W	2CMA166830R1000	1	1.54
5	Blue	208-250	50 and 60	4125P9W	2CMA166832R1000	1	1.54
5	Red	440-460	60	4125P11W	2CMA166834R1000	1	1.54

\*) Indicates standard product.

- Accessories .....page 70
- Technical data.....page 83
- Dimensions.....page 84



# Connectors



## 16 A, IP44 Splashproof

Plastic enclosure (PA)

Cable entry with compression gland. Cable area 1-2.5 mm<sup>2</sup>



Terminals/ poles	Color code	Voltage V	Frequency Hz	Type	Order code	Pack qty	Weight kg/ea
<b>2P+E</b>							
3	Yellow	100-130	50 and 60	216-C4 *	2CMA193520R1000	10	0.16
3	Blue	200-250	50 and 60	216-C6 *	2CMA193521R1000	10	0.16
<b>3P+E</b>							
4	Yellow	100-130	50 and 60	316-C4 *	2CMA193522R1000	10	0.21
4	Red	380-415	50 and 60	316-C6 *	2CMA193523R1000	10	0.21
4	Black	480-500	50 and 60	316-C7 *	2CMA193524R1000	10	0.21
4	Blue	200-250	50 and 60	316-C9 *	2CMA193525R1000	10	0.21
<b>3P+N+E</b>							
5	Red	346-415	50 and 60	416-C6 *	2CMA193526R1000	10	0.23



## 32 A, IP44 Splashproof

Plastic enclosure (PA)

Cable entry with compression gland. Cable area 2.5-6 mm<sup>2</sup>



Terminals/ poles	Color code	Voltage V	Frequency Hz	Type	Order code	Pack qty	Weight kg/ea
<b>2P+E</b>							
3	Yellow	100-130	50 and 60	232-C4	2CMA193527R1000	10	0.26
3	Blue	200-250	50 and 60	232-C6 *	2CMA193528R1000	10	0.26
<b>3P+E</b>							
4	Red	380/440	50/60	332-C3	2CMA193538R1000	10	0.27
4	Black	600-690	50 and 60	332-C5	2CMA193533R1000	10	0.27
4	Red	380-415	50 and 60	332-C6 *	2CMA193529R1000	10	0.27
4	Black	480-500	50 and 60	332-C7 *	2CMA193534R1000	10	0.27
4	Blue	200-250	50 and 60	332-C9 *	2CMA193530R1000	10	0.27
<b>3P+N+E</b>							
5	Red	346-415	50 and 60	432-C6 *	2CMA193531R1000	10	0.30
5	Black	480-500	50 and 60	432-C7	2CMA193532R1000	10	0.30



## 63 A, IP44 Splashproof

Plastic enclosure (PBT)

Cable entry with membrane. Cable area 4-16 mm<sup>2</sup>



Terminals/ poles	Color code	Voltage V	Frequency Hz	Type	Order code	Pack	Weight kg/ea
<b>2P+E</b>							
3	Yellow	100-130	50 and 60	263C4	2CMA166838R1000	1	0.80
3	Blue	200-250	50 and 60	263C6	2CMA166840R1000	1	0.80
<b>3P+E</b>							
4	Black	600-690	50 and 60	363C5	2CMA166848R1000	1	0.83
4	Red	380-415	50 and 60	363C6 *	2CMA166850R1000	1	0.83
4	Black	480-500	50 and 60	363C7 *	2CMA166852R1000	1	0.83
4	Blue	200-250	50 and 60	363C9	2CMA166854R1000	1	0.83
<b>3P+N+E</b>							
5	Red	346-415	50 and 60	463C6 *	2CMA166862R1000	1	0.88

\*) Indicates standard product.

- Accessories ..... page 70
- Technical data ..... page 83
- Dimensions ..... page 84

# Connectors



## 16 A, IP67 Watertight

Plastic enclosure (PBT)

Cable entry with compression gland. Cable area 1-2.5 mm<sup>2</sup>



Terminals/ poles	Color code	Voltage V	Frequency Hz	Type	Order code	Pack	Weight kg/ea
<b>2P+E</b>							
3	Grey		AC	216C1W	2CMA166544R1000	1	0.22
3	Grey	>50-250	DC	216C3W	2CMA166534R1000	1	0.22
3	Yellow	100-130	50 and 60	216C4W	2CMA166536R1000	1	0.22
3	Blue	200-250	50 and 60	216C6W *	2CMA166538R1000	1	0.22
3	Red	380-415	50 and 60	216C9W	2CMA166540R1000	1	0.22
3	Grey	transf	50 and 60	216C12W	2CMA166542R1000	1	0.22

### 3P+E

4	Grey		AC	316C1W	2CMA166564R1000	1	0.31
4	Green	>50	>300-500	316C2W	2CMA166546R1000	1	0.31
4	Red	380/440	50/60	316C3W	2CMA166548R1000	1	0.31
4	Yellow	100-130	50 and 60	316C4W	2CMA166550R1000	1	0.31
4	Black	600-690	50 and 60	316C5W	2CMA166552R1000	1	0.31
4	Red	380-415	50 and 60	316C6W *	2CMA166554R1000	1	0.31
4	Black	480-500	50 and 60	316C7W	2CMA166556R1000	1	0.31
4	Blue	200-250	50 and 60	316C9W	2CMA166558R1000	1	0.31
4	Green	>50	100-300	316C10W	2CMA166560R1000	1	0.31
4	Red	440-460	60	316C11W	2CMA166562R1000	1	0.31

### 3P+N+E

5	Grey		AC	416C1W	2CMA166580R1000	1	0.32
5	Green	>50	>300-500	416C2W	2CMA166566R1000	1	0.32
5	Red	380/440	50/60	416C3W	2CMA166568R1000	1	0.32
5	Yellow	100-130	50 and 60	416C4W	2CMA166570R1000	1	0.32
5	Red	346-415	50 and 60	416C6W *	2CMA166572R1000	1	0.32
5	Black	480-500	50 and 60	416C7W	2CMA166574R1000	1	0.32
5	Blue	208-250	50 and 60	416C9W	2CMA166576R1000	1	0.32
5	Red	440-460	60	416C11W	2CMA166578R1000	1	0.32



## 32 A, IP67 Watertight

Plastic enclosure (PBT)

Cable entry with compression gland. Cable area 2.5-6 mm<sup>2</sup>



Terminals/ poles	Color code	Voltage V	Frequency Hz	Type	Order code	Pack	Weight kg/ea
<b>2P+E</b>							
3	Grey		AC	232C1W	2CMA166590R1000	1	0.35
3	Yellow	100-130	50 and 60	232C4W	2CMA166582R1000	1	0.35
3	Blue	200-250	50 and 60	232C6W *	2CMA166584R1000	1	0.35
3	Red	380-415	50 and 60	232C9W	2CMA166586R1000	1	0.35
3	Grey	transf	50 and 60	232C12W	2CMA166588R1000	1	0.35

### 3P+E

4	Grey		AC	332C1W	2CMA166592R1000	1	0.38
4	Green	>50	>300-500	332C2W	2CMA166596R1000	1	0.38
4	Red	380/440	50/60	332C3W	2CMA166598R1000	1	0.38
4	Yellow	100-130	50 and 60	332C4W	2CMA166600R1000	1	0.38
4	Black	600-690	50 and 60	332C5W	2CMA166602R1000	1	0.38
4	Red	380-415	50 and 60	332C6W *	2CMA166604R1000	1	0.38
4	Black	480-500	50 and 60	332C7W	2CMA166606R1000	1	0.38
4	Blue	200-250	50 and 60	332C9W	2CMA166608R1000	1	0.38
4	Green	>50	100-300	332C10W	2CMA166610R1000	1	0.38
4	Red	440-460	60	332C11W	2CMA166594R1000	1	0.38

### 3P+N+E

5	Grey		AC	432C1W	2CMA166526R1000	1	0.41
5	Green	>50	>300-500	432C2W	2CMA166612R1000	1	0.41
5	Red	380/440	50/60	432C3W	2CMA166614R1000	1	0.41
5	Yellow	100-130	50 and 60	432C4W	2CMA166616R1000	1	0.41
5	Red	346-415	50 and 60	432C6W *	2CMA166618R1000	1	0.41
5	Black	480-500	50 and 60	432C7W	2CMA166620R1000	1	0.41
5	Blue	208-250	50 and 60	432C9W	2CMA166622R1000	1	0.41
5	Red	440-460	60	432C11W	2CMA166624R1000	1	0.41

\*) Indicates standard product.

- Accessories .....page 70
- Technical data.....page 83
- Dimensions.....page 84

# Connectors



## 63 A, IP67 Watertight

Plastic enclosure (PBT). Cable entry with compression gland.  
Internal and external cable clamp. Cable area 4-16 mm<sup>2</sup>



Terminals/ poles	Color code	Voltage V	Frequency Hz	Type	Order code	Pack	Weight kg/ea
<b>2P+E</b>							
3	Grey		AC	263C1W	2CMA166878R1000	1	0.80
3	Yellow	100-130	50 and 60	263C4W	2CMA166872R1000	1	0.80
3	Blue	200-250	50 and 60	263C6W	2CMA166874R1000	1	0.80
3	Red	380-415	50 and 60	263C9W	2CMA166876R1000	1	0.80
<b>3P+E</b>							
4	Grey		AC	363C1W	2CMA166902R1000	1	0.83
4	Yellow	100-130	50 and 60	363C4W	2CMA166890R1000	1	0.83
4	Black	600-690	50 and 60	363C5W	2CMA166892R1000	1	0.83
4	Red	380-415	50 and 60	363C6W *	2CMA166894R1000	1	0.83
4	Black	480-500	50 and 60	363C7W	2CMA166896R1000	1	0.83
4	Blue	200-250	50 and 60	363C9W	2CMA166898R1000	1	0.83
4	Red	440-460	60	363C11W	2CMA166900R1000	1	0.83
<b>3P+N+E</b>							
5	Grey		AC	463C1W	2CMA166914R1000	1	0.88
5	Yellow	100-130	50 and 60	463C4W	2CMA166904R1000	1	0.88
5	Red	346-415	50 and 60	463C6W *	2CMA166906R1000	1	0.88
5	Black	480-500	50 and 60	463C7W	2CMA166908R1000	1	0.88
5	Blue	208-250	50 and 60	463C9W	2CMA166910R1000	1	0.88
5	Red	440-460	60	463C11W	2CMA166912R1000	1	0.88



## 125 A, IP67 Watertight

Plastic enclosure (PBT). Cable entry with compression gland. Internal and external  
cable clamp. LP types with long phase sleeves and pilot sleeve. Cable area 16-50 mm<sup>2</sup>



Terminals/ poles	Color code	Voltage V	Frequency Hz	Type	Order code	Pack	Weight kg/ea
<b>2P+E</b>							
3	Grey		AC	2125C1W	2CMA166920R1000	1	1.37
3	Yellow	100-130	50 and 60	2125C4W	2CMA166916R1000	1	1.37
3	Blue	200-250	50 and 60	2125C6W	2CMA166918R1000	1	1.37
<b>3P+E</b>							
4	Grey		AC	3125C1W	2CMA166932R1000	1	1.41
4	Yellow	100-130	50 and 60	3125C4W	2CMA166922R1000	1	1.41
4	Black	600-690	50 and 60	3125C5W	2CMA166923R1000	1	1.41
4	Red	380-415	50 and 60	3125C6W *	2CMA166924R1000	1	1.41
4	Red	380-415	50 and 60	3125C6W LP	2CMA169211R1000	1	1.41
4	Black	480-500	50 and 60	3125C7W	2CMA166926R1000	1	1.41
4	Blue	200-250	50 and 60	3125C9W *	2CMA166928R1000	1	1.41
4	Red	440-460	60	3125C11W	2CMA166930R1000	1	1.41
<b>3P+N+E</b>							
5	Grey		AC	4125C1W	2CMA166944R1000	1	1.53
5	Yellow	100-130	50 and 60	4125C4W	2CMA166934R1000	1	1.53
5	Red	346-415	50 and 60	4125C6W *	2CMA166936R1000	1	1.53
5	Red	346-415	50 and 60	4125C6W LP	2CMA169212R1000	1	1.53
5	Black	480-500	50 and 60	4125C7W	2CMA166938R1000	1	1.53
5	Blue	208-250	50 and 60	4125C9W	2CMA166940R1000	1	1.53
5	Red	440-460	60	4125C11W	2CMA166942R1000	1	1.53

\*) Indicates standard product.

- Accessories ..... page 70
- Technical data..... page 83
- Dimensions..... page 84

# Industrial plugs and sockets

## Application examples



# Industrial plugs and sockets

## Application examples



# Switched interlocked socket outlets

## Heavy duty



### 16 A, IP67 Watertight

Plastic enclosure (PBT). Cable entry with knock-outs

Ø 25+32 mm on top and drill marks on bottom. Cable area 1.5-4 mm<sup>2</sup>



Terminals/ poles	Color code	Voltage V	Frequency Hz	Type	Order code	Pack	Weight kg/ea
<b>2P+E</b>							
3	Grey		AC	216MVS1WH	2CMA163255R1000	1	1.75
3	Yellow	100-130	50 and 60	216MVS4WH	2CMA163256R1000	1	1.75
3	Blue	200-250	50 and 60	216MVS6WH	2CMA163257R1000	1	1.75
3	Red	380-415	50 and 60	216MVS9WH	2CMA163258R1000	1	1.75
3	Grey	transf	50 and 60	216MVS12WH	2CMA163259R1000	1	1.75
<b>3P+E</b>							
4	Grey		AC	316MVS1WH	2CMA163261R1000	1	1.79
4	Yellow	100-130	50 and 60	316MVS4WH	2CMA163262R1000	1	1.79
4	Black	600-690	50 and 60	316MVS5WH	2CMA163263R1000	1	1.79
4	Red	380-415	50 and 60	316MVS6WH	2CMA163264R1000	1	1.79
4	Black	480-500	50 and 60	316MVS7WH	2CMA163265R1000	1	1.79
4	Blue	200-250	50 and 60	316MVS9WH	2CMA163266R1000	1	1.79
4	Green	>50	100-300	316MVS10WH	2CMA163267R1000	1	1.79
4	Red	440-460	60	316MVS11WH	2CMA163268R1000	1	1.79
<b>3P+N+E</b>							
5	Grey		AC	416MVS1WH	2CMA163270R1000	1	1.83
5	Green	>50	>300-500	416MVS2WH	2CMA163271R1000	1	1.83
5	Red	346-415	50 and 60	416MVS6WH	2CMA163272R1000	1	1.83
5	Blue	208-250	50 and 60	416MVS9WH	2CMA163273R1000	1	1.83



### 32 A, IP67 Watertight

Plastic enclosure (PBT). Cable entry with knock-outs

Ø 25+32 mm on top and drill marks on bottom. Cable area 2.5-10 mm<sup>2</sup>



Terminals/ poles	Color code	Voltage V	Frequency Hz	Type	Order code	Pack	Weight kg/ea
<b>2P+E</b>							
3	Grey		AC	232MVS1WH	2CMA163275R1000	1	1.87
3	Blue	200-250	50 and 60	232MVS6WH	2CMA163276R1000	1	1.87
<b>3P+E</b>							
4	Grey		AC	332MVS1WH	2CMA163277R1000	1	1.91
4	Red	380-440	50 and 60	332MVS3WH	2CMA100662R1000	1	1.91
4	Black	600-690	50 and 60	332MVS5WH	2CMA163278R1000	1	1.91
4	Red	380-415	50 and 60	332MVS6WH	2CMA163279R1000	1	1.91
4	Black	480-500	50 and 60	332MVS7WH	2CMA163280R1000	1	1.91
4	Blue	200-250	50 and 60	332MVS9WH	2CMA163281R1000	1	1.91
<b>3P+N+E</b>							
5	Grey		AC	432MVS1WH	2CMA163284R1000	1	1.95
5	Red	346-415	50 and 60	432MVS6WH	2CMA163285R1000	1	1.95
5	Black	480-500	50 and 60	432MVS7WH	2CMA163286R1000	1	1.95
5	Blue	208-250	50 and 60	432MVS9WH	2CMA101701R1000	1	1.95

- The switch handle is padlockable (5-8 mm shackle).
- The switch insert can be equipped with an auxiliary contact (see page 75).

- Accessories .....page 70
- Technical data.....page 83
- Dimensions.....page 87

# Switched interlocked socket outlets

## Heavy duty



### 63 A, IP67 Watertight

Plastic enclosure (PBT). Cable entry with knock-outs  
 Ø 40+50 mm on top and drill marks on bottom. Cable area 6-25 mm<sup>2</sup>



Terminals/ poles	Color code	Voltage V	Frequency Hz	Type	Order code	Pack	Weight kg/ea
<b>2P+E</b>							
3	Grey		AC	263MVS1WH	2CMA162831R1000	1	3.50
3	Yellow	100-130	50 and 60	263MVS4WH	2CMA162827R1000	1	3.50
3	Blue	200-250	50 and 60	263MVS6WH	2CMA162828R1000	1	3.50
3	Red	380-415	50 and 60	263MVS9WH	2CMA162829R1000	1	3.50
<b>3P+E</b>							
4	Grey		AC	363MVS1WH	2CMA162841R1000	1	3.50
4	Yellow	100-130	50 and 60	363MVS4WH	2CMA162834R1000	1	3.50
4	Black	600-690	50 and 60	363MVS5WH	2CMA162835R1000	1	3.50
4	Red	380-415	50 and 60	363MVS6WH	2CMA162836R1000	1	3.50
4	Black	480-500	50 and 60	363MVS7WH	2CMA162837R1000	1	3.50
4	Blue	200-250	50 and 60	363MVS9WH	2CMA162838R1000	1	3.50
4	Red	440-460	60	363MVS11WH	2CMA162840R1000	1	3.50
<b>3P+N+E</b>							
5	Grey		AC	463MVS1WH	2CMA162849R1000	1	3.60
5	Yellow	100-130	50 and 60	463MVS4WH	2CMA162844R1000	1	3.60
5	Red	346-415	50 and 60	463MVS6WH	2CMA162845R1000	1	3.60
5	Black	480-500	50 and 60	463MVS7WH	2CMA162846R1000	1	3.60
5	Blue	208-250	50 and 60	463MVS9WH	2CMA162847R1000	1	3.60
5	Red	440-460	60	463MVS11WH	2CMA162848R1000	1	3.60



### 125 A, IP67 Watertight

Plastic enclosure (PBT). Cable entry with knock-outs Ø40+50 mm on top  
 and drill marks on bottom. Long phase sleeves and pilot sleeve. Cable area 16-70 mm<sup>2</sup>



Terminals/ poles	Color code	Voltage V	Frequency Hz	Type	Order code	Pack	Weight kg/ea
<b>2P+E</b>							
3	Grey		AC	2125MVS1WH	2CMA162740R1000	1	4.40
3	Yellow	100-130	50 and 60	2125MVS4WH	2CMA162738R1000	1	4.40
3	Blue	200-250	50 and 60	2125MVS6WH *	2CMA162739R1000	1	4.40
<b>3P+E</b>							
4	Grey		AC	3125MVS1WH	2CMA162746R1000	1	4.40
4	Yellow	100-130	50 and 60	3125MVS4WH	2CMA162741R1000	1	4.40
4	Red	380-415	50 and 60	3125MVS6WH	2CMA162742R1000	1	4.40
4	Black	480-500	50 and 60	3125MVS7WH	2CMA162743R1000	1	4.40
4	Blue	200-250	50 and 60	3125MVS9WH	2CMA162744R1000	1	4.40
4	Red	440-460	60	3125MVS11WH	2CMA162745R1000	1	4.40
<b>3P+N+E</b>							
5	Grey		AC	4125MVS1WH	2CMA162796R1000	1	4.50
5	Yellow	100-130	50 and 60	4125MVS4WH	2CMA162791R1000	1	4.50
5	Red	346-415	50 and 60	4125MVS6WH *	2CMA162792R1000	1	4.50
5	Black	480-500	50 and 60	4125MVS7WH	2CMA162793R1000	1	4.50
5	Blue	208-250	50 and 60	4125MVS9WH	2CMA162794R1000	1	4.50
5	Red	440-460	60	4125MVS11WH	2CMA162795R1000	1	4.50

\*) Indicates standard product.  
 - The switch handle is padlockable (5-8 mm shackle).  
 - The switch insert can be equipped with an auxiliary contact (see page 75).

- Accessories ..... page 70
- Technical data ..... page 83
- Dimensions ..... page 87

# Switched interlocked socket outlets

## Metal enclosed



### 16 A, IP44 Splashproof

Aluminum enclosure

Cable entry 2xM25+2xM32. Cable area 1.5-4 mm<sup>2</sup>



Terminals/ poles	Color code	Voltage V	Frequency Hz	Type	Order code	Pack	Weight kg/ea
<b>3P+E</b>							
4	Grey		AC	316MM1	2CMA167980R1000	1	1.30
4	Yellow	100-130	50 and 60	316MM4	2CMA167973R1000	1	1.30
4	Black	600-690	50 and 60	316MM5	2CMA167974R1000	1	1.30
4	Red	380-415	50 and 60	316MM6 *	2CMA167975R1000	1	1.30
4	Black	480-500	50 and 60	316MM7 *	2CMA167976R1000	1	1.30
4	Blue	200-250	50 and 60	316MM9	2CMA167977R1000	1	1.30
4	Green	>50	100-300	316MM10	2CMA167978R1000	1	1.30
4	Red	440-460	60	316MM11	2CMA167979R1000	1	1.30
<b>3P+N+E</b>							
5	Grey		AC	416MM1	2CMA167988R1000	1	1.32
5	Green	>50	>300-500	416MM2	2CMA167981R1000	1	1.32
5	Red	346-415	50 and 60	416MM6 *	2CMA167984R1000	1	1.32
5	Blue	208-250	50 and 60	416MM9	2CMA167986R1000	1	1.32
5	Red	440-460	60	416MM11	2CMA167987R1000	1	1.32



### 32 A, IP44 Splashproof

Aluminum enclosure

Cable entry 2xM25+2xM32. Cable area 2.5-10 mm<sup>2</sup>



Terminals/ poles	Color code	Voltage V	Frequency Hz	Type	Order code	Pack	Weight kg/ea
<b>3P+E</b>							
4	Grey		AC	332MM1	2CMA167998R1000	1	1.42
4	Red	380/440	50/60	332MM3	2CMA167990R1000	1	1.42
4	Yellow	100-130	50 and 60	332MM4	2CMA167991R1000	1	1.42
4	Black	600-690	50 and 60	332MM5	2CMA167992R1000	1	1.42
4	Red	380-415	50 and 60	332MM6 *	2CMA167993R1000	1	1.42
4	Black	480-500	50 and 60	332MM7	2CMA167994R1000	1	1.42
4	Blue	200-250	50 and 60	332MM9	2CMA167995R1000	1	1.42
4	Green	>50	100-300	332MM10	2CMA167996R1000	1	1.42
4	Red	440-460	60	332MM11	2CMA167997R1000	1	1.42
<b>3P+N+E</b>							
5	Grey		AC	432MM1	2CMA168006R1000	1	1.48
5	Red	346-415	50 and 60	432MM6 *	2CMA168002R1000	1	1.48
5	Black	480-500	50 and 60	432MM7	2CMA168003R1000	1	1.48
5	Blue	208-250	50 and 60	432MM9	2CMA168004R1000	1	1.48

\*) Indicates standard product.

- The switch insert can be equipped with an auxiliary contact (see page 75).

- Accessories .....page 70
- Technical data.....page 83
- Dimensions.....page 88



# Switched interlocked socket outlets

## Metal enclosed



### 63 A, IP44 Splashproof

Aluminum enclosure

Cable entry 4xM40. Cable area 6-25 mm<sup>2</sup>



Terminals/ poles	Color code	Voltage V	Frequency Hz	Type	Order code	Pack	Weight kg/ea
<b>2P+E</b>							
3	Grey		AC	263MM1	2CMA168033R1000	1	2.20
3	Yellow	100-130	50 and 60	263MM4	2CMA168030R1000	1	2.20
3	Blue	200-250	50 and 60	263MM6	2CMA168031R1000	1	2.20
3	Red	380-415	50 and 60	263MM9	2CMA168032R1000	1	2.20
<b>3P+E</b>							
4	Grey		AC	363MM1	2CMA168040R1000	1	2.22
4	Yellow	100-130	50 and 60	363MM4	2CMA168034R1000	1	2.22
4	Black	600-690	50 and 60	363MM5	2CMA168035R1000	1	2.22
4	Red	380-415	50 and 60	363MM6 *	2CMA168036R1000	1	2.22
4	Black	480-500	50 and 60	363MM7 *	2CMA168037R1000	1	2.22
4	Blue	200-250	50 and 60	363MM9	2CMA168038R1000	1	2.22
4	Red	440-460	60	363MM11	2CMA168039R1000	1	2.22
<b>3P+N+E</b>							
5	Grey		AC	463MM1	2CMA168046R1000	1	2.35
5	Red	346-415	50 and 60	463MM6 *	2CMA168042R1000	1	2.35
5	Black	480-500	50 and 60	463MM7	2CMA168043R1000	1	2.35
5	Blue	208-250	50 and 60	463MM9	2CMA168044R1000	1	2.35



### 125 A, IP44 Splashproof

Aluminum enclosure. Long phase sleeves and pilot sleeve.

Cable entry 2xM50. Cable area 16-70 mm<sup>2</sup>



Terminals/ poles	Color code	Voltage V	Frequency Hz	Type	Order code	Pack	Weight kg/ea
<b>2P+E</b>							
3	Blue	200-250	50 and 60	2125MM6	2CMA168047R1000	1	7.70
<b>3P+E</b>							
4	Grey		AC	3125MM1	2CMA168052R1000	1	7.90
4	Red	380-415	50 and 60	3125MM6 *	2CMA168048R1000	1	7.90
4	Black	480-500	50 and 60	3125MM7	2CMA168049R1000	1	7.90
4	Blue	200-250	50 and 60	3125MM9	2CMA168050R1000	1	7.90
4	Red	440-460	60	3125MM11	2CMA168051R1000	1	7.90
<b>3P+N+E</b>							
5	Grey		AC	4125MM1	2CMA168056R1000	1	8.10
5	Red	346-415	50 and 60	4125MM6 *	2CMA168053R1000	1	8.10
5	Black	480-500	50 and 60	4125MM7	2CMA168054R1000	1	8.10
5	Red	440-460	60	4125MM11	2CMA168055R1000	1	8.10

\*) Indicates standard product.  
 - The switch handle is padlockable (5-8 mm shackle).  
 - The switch insert can be equipped with an auxiliary contact (see page 75).

- Accessories ..... page 70
- Technical data..... page 83
- Dimensions..... page 88

# Switched interlocked socket outlets

## Horizontal



### 16 A, IP44 Splashproof

Plastic enclosure (PBT)

Cable entry with knock-outs Ø 25 mm/M25. Cable area 1.5-4 mm<sup>2</sup>



Terminals/ poles	Color code	Voltage V	Frequency Hz	Type	Order code	Pack	Weight kg/ea
<b>2P+E</b>							
3	Yellow	100-130	50 and 60	216MHS4	2CMA167622R1000	1	0.55
3	Blue	200-250	50 and 60	216MHS6 *	2CMA167623R1000	1	0.55
<b>3P+E</b>							
4	Yellow	100-130	50 and 60	316MHS4	2CMA167629R1000	1	0.58
4	Black	600-690	50 and 60	316MHS5	2CMA167630R1000	1	0.58
4	Red	380-415	50 and 60	316MHS6 *	2CMA167631R1000	1	0.58
4	Black	480-500	50 and 60	316MHS7	2CMA167632R1000	1	0.58
4	Blue	200-250	50 and 60	316MHS9	2CMA167633R1000	1	0.58
4	Red	440-460	60	316MHS11	2CMA167635R1000	1	0.58
<b>3P+N+E</b>							
5	Red	346-415	50 and 60	416MHS6 *	2CMA167640R1000	1	0.61



### 32 A, IP44 Splashproof

Plastic enclosure (PBT)

Cable entry with knock-outs Ø 25 mm/M25. Cable area 2.5-10 mm<sup>2</sup>



Terminals/ poles	Color code	Voltage V	Frequency Hz	Type	Order code	Pack	Weight kg/ea
<b>2P+E</b>							
3	Yellow	100-130	50 and 60	232MHS4	2CMA167668R1000	1	0.60
3	Blue	200-250	50 and 60	232MHS6 *	2CMA167669R1000	1	0.60
<b>3P+E</b>							
4	Black	600-690	50 and 60	332MHS5	2CMA167676R1000	1	0.63
4	Red	380-415	50 and 60	332MHS6 *	2CMA167677R1000	1	0.63
4	Black	480-500	50 and 60	332MHS7	2CMA167678R1000	1	0.63
4	Blue	200-250	50 and 60	332MHS9	2CMA167679R1000	1	0.63
<b>3P+N+E</b>							
5	Red	346-415	50 and 60	432MHS6 *	2CMA167686R1000	1	0.66



### 63 A, IP44 Splashproof

Plastic enclosure (PBT)

Cable entry with knock-outs x Ø 32 mm. Cable area 6-25 mm<sup>2</sup>



Terminals/ poles	Color code	Voltage V	Frequency Hz	Type	Order code	Pack	Weight kg/ea
<b>2P+E</b>							
3	Yellow	100-130	50 and 60	263MHS4	2CMA167714R1000	1	2.00
3	Blue	200-250	50 and 60	263MHS6	2CMA167715R1000	1	2.00
<b>3P+E</b>							
4	Black	600-690	50 and 60	363MHS5	2CMA167719R1000	1	2.00
4	Red	380-415	50 and 60	363MHS6 *	2CMA167721R1000	1	2.00
4	Black	480-500	50 and 60	363MHS7	2CMA167722R1000	1	2.00
4	Blue	200-250	50 and 60	363MHS9	2CMA167723R1000	1	2.00
<b>3P+N+E</b>							
5	Red	346-415	50 and 60	463MHS6 *	2CMA167727R1000	1	2.10

\* Indicates standard product.

- The switch insert can be equipped with an auxiliary contact (see page 75).

- The switch handle is padlockable (5-8 mm shackle).

- Accessories .....page 70
- Technical data.....page 83
- Dimensions.....page 86

# Switched interlocked socket outlets

## Horizontal



### 16 A, IP67 Watertight

Plastic enclosure (PBT)

Cable entry with knock-outs Ø 25 mm up/M25 down. Cable area 1.5-4 mm<sup>2</sup>



Terminals/ poles	Color code	Voltage V	Frequency Hz	Type	Order code	Pack	Weight kg/ea
<b>2P+E</b>							
3	Grey		AC	216MHS1W	2CMA167804R1000	1	0.55
3	Yellow	100-130	50 and 60	216MHS4W	2CMA167800R1000	1	0.55
3	Blue	200-250	50 and 60	216MHS6W *	2CMA167801R1000	1	0.55
3	Red	380-415	50 and 60	216MHS9W	2CMA167802R1000	1	0.55
3	Grey	transf	50 and 60	216MHS12W	2CMA167803R1000	1	0.55

#### 3P+E

4	Grey		AC	316MHS1W	2CMA167814R1000	1	0.58
4	Green	>50	>300-500	316MHS2W	2CMA167805R1000	1	0.58
4	Red	380/440	50/60	316MHS3W	2CMA167806R1000	1	0.58
4	Yellow	100-130	50 and 60	316MHS4W	2CMA167807R1000	1	0.58
4	Black	600-690	50 and 60	316MHS5W	2CMA167808R1000	1	0.58
4	Red	380-415	50 and 60	316MHS6W *	2CMA167809R1000	1	0.58
4	Black	480-500	50 and 60	316MHS7W	2CMA167810R1000	1	0.58
4	Blue	200-250	50 and 60	316MHS9W	2CMA167811R1000	1	0.58
4	Green	>50	100-300	316MHS10W	2CMA167812R1000	1	0.58
4	Red	440-460	60	316MHS11W	2CMA167813R1000	1	0.58

#### 3P+N+E

5	Grey		AC	416MHS1W	2CMA167822R1000	1	0.61
5	Green	>50	>300-500	416MHS2W	2CMA167815R1000	1	0.61
5	Red	380/440	50/60	416MHS3W	2CMA167816R1000	1	0.61
5	Yellow	100-130	50 and 60	416MHS4W	2CMA167817R1000	1	0.61
5	Red	346-415	50 and 60	416MHS6W *	2CMA167818R1000	1	0.61
5	Black	480-500	50 and 60	416MHS7W	2CMA167819R1000	1	0.61
5	Blue	208-250	50 and 60	416MHS9W	2CMA167820R1000	1	0.61
5	Red	440-460	60	416MHS11W	2CMA167821R1000	1	0.61

### 32 A, IP67 Watertight

Plastic enclosure (PBT)

Cable entry with knock-outs Ø 25 mm up/M25 down. Cable area 2.5-10 mm<sup>2</sup>



Terminals/ poles	Color code	Voltage V	Frequency Hz	Type	Order code	Pack	Weight kg/ea
<b>2P+E</b>							
3	Grey		AC	232MHS1W	2CMA167851R1000	1	0.60
3	Yellow	100-130	50 and 60	232MHS4W	2CMA167847R1000	1	0.60
3	Blue	200-250	50 and 60	232MHS6W	2CMA167848R1000	1	0.60
3	Red	380-415	50 and 60	232MHS9W	2CMA167849R1000	1	0.60
3	Grey	transf	50 and 60	232MHS12W	2CMA167850R1000	1	0.60

#### 3P+E

4	Grey		AC	332MHS1W	2CMA167861R1000	1	0.63
4	Green	>50	>300-500	332MHS2W	2CMA167852R1000	1	0.63
4	Red	380/440	50/60	332MHS3W	2CMA167853R1000	1	0.63
4	Yellow	100-130	50 and 60	332MHS4W	2CMA167854R1000	1	0.63
4	Black	600-690	50 and 60	332MHS5W	2CMA167855R1000	1	0.63
4	Red	380-415	50 and 60	332MHS6W	2CMA167856R1000	1	0.63
4	Black	480-500	50 and 60	332MHS7W	2CMA167857R1000	1	0.63
4	Blue	200-250	50 and 60	332MHS9W	2CMA167858R1000	1	0.63
4	Green	>50	100-300	332MHS10W	2CMA167859R1000	1	0.63
4	Red	440-460	60	332MHS11W	2CMA167860R1000	1	0.63

#### 3P+N+E

5	Grey		AC	432MHS1W	2CMA167869R1000	1	0.66
5	Green	>50	>300-500	432MHS2W	2CMA167862R1000	1	0.66
5	Red	380/440	50/60	432MHS3W	2CMA167863R1000	1	0.66
5	Yellow	100-130	50 and 60	432MHS4W	2CMA167864R1000	1	0.66
5	Red	346-415	50 and 60	432MHS6W *	2CMA167865R1000	1	0.66
5	Black	480-500	50 and 60	432MHS7W	2CMA167866R1000	1	0.66
5	Blue	208-250	50 and 60	432MHS9W	2CMA167867R1000	1	0.66
5	Red	440-460	60	432MHS11W	2CMA167868R1000	1	0.66

\*1) Indicates standard product.

- The switch insert can be equipped with an auxiliary contact (see page 75).

- Accessories ..... page 70
- Technical data ..... page 83
- Dimensions ..... page 86

# Switched interlocked socket outlets

## Horizontal



### 63 A, IP67 Watertight

Plastic enclosure (PBT)

Cable entry with knock-outs 2xØ 32 mm. Cable area 6-25 mm<sup>2</sup>



Terminals/ poles	Color code	Voltage V	Frequency Hz	Type	Order code	Pack	Weight kg/ea
<b>2P+E</b>							
3	Grey		AC	263MHS1W	2CMA167896R1000	1	2.00
3	Yellow	100-130	50 and 60	263MHS4W	2CMA167893R1000	1	2.00
3	Blue	200-250	50 and 60	263MHS6W	2CMA167894R1000	1	2.00
3	Red	380-415	50 and 60	263MHS9W	2CMA167895R1000	1	2.00
<b>3P+E</b>							
4	Grey		AC	363MHS1W	2CMA167903R1000	1	2.00
4	Yellow	100-130	50 and 60	363MHS4W	2CMA167897R1000	1	2.00
4	Black	600-690	50 and 60	363MHS5W	2CMA167898R1000	1	2.00
4	Red	380-415	50 and 60	363MHS6W	2CMA167899R1000	1	2.00
4	Black	480-500	50 and 60	363MHS7W	2CMA167900R1000	1	2.00
4	Blue	200-250	50 and 60	363MHS9W	2CMA167901R1000	1	2.00
4	Red	440-460	60	363MHS11W	2CMA167902R1000	1	2.00
<b>3P+N+E</b>							
5	Grey		AC	463MHS1W	2CMA167909R1000	1	2.10
5	Yellow	100-130	50 and 60	463MHS4W	2CMA167904R1000	1	2.10
5	Red	346-415	50 and 60	463MHS6W *	2CMA167905R1000	1	2.10
5	Black	480-500	50 and 60	463MHS7W	2CMA167906R1000	1	2.10
5	Blue	208-250	50 and 60	463MHS9W	2CMA167907R1000	1	2.10
5	Red	440-460	60	463MHS11W	2CMA167908R1000	1	2.10

\*) Indicates standard product..

- The switch insert can be equipped with an auxiliary contact (see page 75).
- The switch handle is padlockable. (5-8 mm shackle).

- Accessories .....page 70
- Technical data.....page 83
- Dimensions.....page 86

# Switched interlocked socket outlets

## Vertical



### 16 A, IP44 Splashproof

Plastic enclosure (PBT)

Cable entry with knock-outs Ø 25 mm. Cable area 1.5-4 mm<sup>2</sup>



Terminals/ poles	Color code	Voltage V	Frequency Hz	Type	Order code	Pack	Weight kg/ea
<b>2P+E</b>							
3	Yellow	100-130	50 and 60	216MVS4	2CMA167645R1000	1	0.63
3	Blue	200-250	50 and 60	216MVS6 *	2CMA167646R1000	1	0.63
<b>3P+E</b>							
4	Yellow	100-130	50 and 60	316MVS4	2CMA167652R1000	1	0.67
4	Black	600-690	50 and 60	316MVS5	2CMA167653R1000	1	0.67
4	Red	380-415	50 and 60	316MVS6 *	2CMA167654R1000	1	0.67
4	Black	480-500	50 and 60	316MVS7	2CMA167655R1000	1	0.67
4	Blue	200-250	50 and 60	316MVS9	2CMA167656R1000	1	0.67
4	Red	440-460	60	316MVS11	2CMA167658R1000	1	0.67
<b>3P+N+E</b>							
5	Red	346-415	50 and 60	416MVS6 *	2CMA167663R1000	1	0.70



### 32 A, IP44 Splashproof

Plastic enclosure (PBT)

Cable entry with knock-outs Ø 25 mm. Cable area 2.5-10 mm<sup>2</sup>



Terminals/ poles	Color code	Voltage V	Frequency Hz	Type	Order code	Pack	Weight kg/ea
<b>2P+E</b>							
3	Yellow	100-130	50 and 60	232MVS4	2CMA167691R1000	1	0.69
3	Blue	200-250	50 and 60	232MVS6	2CMA167692R1000	1	0.69
<b>3P+E</b>							
4	Black	600-690	50 and 60	332MVS5	2CMA167699R1000	1	0.72
4	Red	380-415	50 and 60	332MVS6	2CMA167700R1000	1	0.72
4	Black	480-500	50 and 60	332MVS7	2CMA167701R1000	1	0.72
4	Blue	200-250	50 and 60	332MVS9	2CMA167702R1000	1	0.72
<b>3P+N+E</b>							
5	Red	346-415	50 and 60	432MVS6 *	2CMA167709R1000	1	0.76

\*) Indicates standard product.

- The switch insert can be equipped with an auxiliary contact (see page 75).

- The switch handle is padlockable (5-8 mm shackle).

- Accessories ..... page 70
- Technical data ..... page 83
- Dimensions ..... page 87

# Switched interlocked socket outlets

## Vertical



### 16 A, IP67 Watertight

Plastic enclosure (PBT)

Cable entry with knock-outs Ø 25 mm. Cable area 1.5-4 mm<sup>2</sup>



Terminals/ poles	Color code	Voltage V	Frequency Hz	Type	Order code	Pack	Weight kg/ea
<b>2P+E</b>							
3	Grey		AC	216MVS1W	2CMA167827R1000	1	0.63
3	Yellow	100-130	50 and 60	216MVS4W	2CMA167823R1000	1	0.63
3	Blue	200-250	50 and 60	216MVS6W *	2CMA167824R1000	1	0.63
3	Red	380-415	50 and 60	216MVS9W	2CMA167825R1000	1	0.63
3	Grey	transf	50 and 60	216MVS12W	2CMA167826R1000	1	0.63
<b>3P+E</b>							
4	Grey		AC	316MVS1W	2CMA167838R1000	1	0.67
4	Green	>50	>300-500	316MVS2W	2CMA167828R1000	1	0.67
4	Red	380/440	50/60	316MVS3W	2CMA167829R1000	1	0.67
4	Yellow	100-130	50 and 60	316MVS4W	2CMA167830R1000	1	0.67
4	Black	600-690	50 and 60	316MVS5W	2CMA167831R1000	1	0.67
4	Red	380-415	50 and 60	316MVS6W *	2CMA167832R1000	1	0.67
4	Black	480-500	50 and 60	316MVS7W	2CMA167833R1000	1	0.67
4	Blue	200-250	50 and 60	316MVS9W	2CMA167834R1000	1	0.67
4	Green	>50	100-300	316MVS10W	2CMA167835R1000	1	0.67
4	Red	440-460	60	316MVS11W	2CMA167836R1000	1	0.67
<b>3P+N+E</b>							
5	Grey		AC	416MVS1W	2CMA167846R1000	1	0.70
5	Green	>50	>300-500	416MVS2W	2CMA167839R1000	1	0.70
5	Red	380/440	50/60	416MVS3W	2CMA167840R1000	1	0.70
5	Yellow	100-130	50 and 60	416MVS4W	2CMA167841R1000	1	0.70
5	Red	346-415	50 and 60	416MVS6W *	2CMA167842R1000	1	0.70
5	Black	480-500	50 and 60	416MVS7W	2CMA167843R1000	1	0.70
5	Blue	208-250	50 and 60	416MVS9W	2CMA167844R1000	1	0.70
5	Red	440-460	60	416MVS11W	2CMA167845R1000	1	0.70

\*) Indicates standard product.



### 32 A, IP67 Watertight

Plastic enclosure (PBT)

Cable entry with knock-outs Ø 25 mm. Cable area 2.5-10 mm<sup>2</sup>



Terminals/ poles	Color code	Voltage V	Frequency Hz	Type	Order code	Pack	Weight kg/ea
<b>2P+E</b>							
3	Grey		AC	232MVS1W	2CMA167874R1000	1	0.69
3	Yellow	100-130	50 and 60	232MVS4W	2CMA167870R1000	1	0.69
3	Blue	200-250	50 and 60	232MVS6W	2CMA167871R1000	1	0.69
3	Red	380-415	50 and 60	232MVS9W	2CMA167872R1000	1	0.69
3	Grey	transf	50 and 60	232MVS12W	2CMA167873R1000	1	0.69
<b>3P+E</b>							
4	Grey		AC	332MVS1W	2CMA167884R1000	1	0.72
4	Green	>50	>300-500	332MVS2W	2CMA167875R1000	1	0.72
4	Red	380/440	50/60	332MVS3W	2CMA167876R1000	1	0.72
4	Yellow	100-130	50 and 60	332MVS4W	2CMA167877R1000	1	0.72
4	Black	600-690	50 and 60	332MVS5W	2CMA167878R1000	1	0.72
4	Red	380-415	50 and 60	332MVS6W	2CMA167879R1000	1	0.72
4	Black	480-500	50 and 60	332MVS7W	2CMA167880R1000	1	0.72
4	Blue	200-250	50 and 60	332MVS9W	2CMA167881R1000	1	0.72
4	Green	>50	100-300	332MVS10W	2CMA167882R1000	1	0.72
4	Red	440-460	60	332MVS11W	2CMA167883R1000	1	0.72
<b>3P+N+E</b>							
5	Grey		AC	432MVS1W	2CMA167892R1000	1	0.76
5	Green	>50	>300-500	432MVS2W	2CMA167885R1000	1	0.76
5	Red	380/440	50/60	432MVS3W	2CMA167886R1000	1	0.76
5	Yellow	100-130	50 and 60	432MVS4W	2CMA167887R1000	1	0.76
5	Red	346-415	50 and 60	432MVS6W	2CMA167888R1000	1	0.76
5	Black	480-500	50 and 60	432MVS7W	2CMA167889R1000	1	0.76
5	Blue	208-250	50 and 60	432MVS9W	2CMA167890R1000	1	0.76
5	Red	440-460	60	432MVS11W	2CMA167891R1000	1	0.76

- The switch insert can be equipped with an auxiliary contact (see page 75).
- The switch handle is padlockable. (5-8 mm shackle).

- Accessories .....page 70
- Technical data.....page 83
- Dimensions.....page 87

# Switched interlocked socket outlets

## With protection



### 16 A, IP67 Watertight

Plastic enclosure (PBT). Contains MCB series S201/S203 characteristic C.  
Cable entry with knock-outs 2xØ 25 mm. Cable area 1.5 - 10 mm<sup>2</sup>



Terminals/ poles	Color code	Voltage V	Frequency Hz	Type	Order code	Pack	Weight kg/ea
<b>2P+E</b>							
3	Yellow	100-130	50 and 60	216MPM4W	2CMA167948R1000	1	1.74
3	Blue	200-250	50 and 60	216MPM6W	2CMA167949R1000	1	1.74
3	Red	380-415	50 and 60	216MPM9W	2CMA167950R1000	1	1.74
3	Grey	transf	50 and 60	216MPM12W	2CMA167951R1000	1	1.74
<b>3P+E</b>							
4	Green	>50	>300-500	316MPM2W	2CMA167953R1000	1	1.77
4	Red	380/440	50/60	316MPM3W	2CMA167954R1000	1	1.77
4	Yellow	100-130	50 and 60	316MPM4W	2CMA167955R1000	1	1.77
4	Black	600-690	50 and 60	316MPM5W	2CMA167956R1000	1	1.77
4	Red	380-415	50 and 60	316MPM6W	2CMA167957R1000	1	1.77
4	Black	480-500	50 and 60	316MPM7W	2CMA167958R1000	1	1.77
4	Blue	200-250	50 and 60	316MPM9W	2CMA167959R1000	1	1.77
4	Green	>50	100-300	316MPM10W	2CMA167960R1000	1	1.77
4	Red	440-460	60	316MPM11W	2CMA167961R1000	1	1.77
<b>3P+N+E</b>							
5	Green	>50	>300-500	416MPM2W	2CMA167963R1000	1	1.79
5	Red	380/440	50/60	416MPM3W	2CMA167964R1000	1	1.79
5	Yellow	100-130	50 and 60	416MPM4W	2CMA167965R1000	1	1.79
5	Red	346-415	50 and 60	416MPM6W	2CMA167966R1000	1	1.79
5	Black	480-500	50 and 60	416MPM7W	2CMA167967R1000	1	1.79
5	Blue	208-250	50 and 60	416MPM9W	2CMA167968R1000	1	1.79
5	Red	440-460	60	416MPM11W	2CMA167969R1000	1	1.79



### 32 A, IP67 Watertight

Plastic enclosure (PBT). Contains MCB series S201/S203 characteristic C.  
Cable entry with knock-outs 2xØ 25 mm. Cable area 2.5-10 mm<sup>2</sup>



Terminals/ poles	Color code	Voltage V	Frequency Hz	Type	Order code	Pack	Weight kg/ea
<b>2P+E</b>							
3	Yellow	100-130	50 and 60	232MPM4W	2CMA168007R1000	1	1.80
3	Blue	200-250	50 and 60	232MPM6W	2CMA168008R1000	1	1.80
3	Red	380-415	50 and 60	232MPM9W	2CMA168009R1000	1	1.80
3	Grey	transf	50 and 60	232MPM12W	2CMA168010R1000	1	1.80
<b>3P+E</b>							
4	Green	>50	>300-500	332MPM2W	2CMA168012R1000	1	1.81
4	Red	380/440	50/60	332MPM3W	2CMA168013R1000	1	1.81
4	Yellow	100-130	50 and 60	332MPM4W	2CMA168014R1000	1	1.81
4	Black	600-690	50 and 60	332MPM5W	2CMA168015R1000	1	1.81
4	Red	380-415	50 and 60	332MPM6W	2CMA168016R1000	1	1.81
4	Black	480-500	50 and 60	332MPM7W	2CMA168017R1000	1	1.81
4	Blue	200-250	50 and 60	332MPM9W	2CMA168018R1000	1	1.81
4	Green	>50	100-300	332MPM10W	2CMA168019R1000	1	1.81
4	Red	440-460	60	332MPM11W	2CMA168020R1000	1	1.81
<b>3P+N+E</b>							
5	Green	>50	>300-500	432MPM2W	2CMA168022R1000	1	1.83
5	Red	380/440	50/60	432MPM3W	2CMA168023R1000	1	1.83
5	Yellow	100-130	50 and 60	432MPM4W	2CMA168024R1000	1	1.83
5	Red	346-415	50 and 60	432MPM6W	2CMA168025R1000	1	1.83
5	Black	480-500	50 and 60	432MPM7W	2CMA168026R1000	1	1.83
5	Blue	208-250	50 and 60	432MPM9W	2CMA168027R1000	1	1.83
5	Red	440-460	60	432MPM11W	2CMA168028R1000	1	1.83

- Accessories ..... page 70
- Technical data ..... page 83
- Dimensions ..... page 88

- The switch insert can be equipped with an auxiliary contact (see page 75).  
- The switch handle is padlockable (5-8 mm shackle).

# Switched interlocked socket outlets

## With protection



### 16 A, IP44 Splashproof

Plastic enclosure (PBT). Contains RCD 25 A/0.03 A, type A.

Cable entry with knock-outs 2xØ 25 mm. Cable area 1.5-4 mm<sup>2</sup>



Terminals/ poles	Color code	Voltage V	Frequency Hz	Type	Order code	Pack	Weight kg/ea
<b>2P+E</b>							
3	Blue	200-250	50 and 60	216MPR6	2CMA167756R1000	1	1.71
<b>3P+E</b>							
4	Red	380-415	50 and 60	316MPR6	2CMA167764R1000	1	1.74
4	Blue	200-250	50 and 60	316MPR9	2CMA167766R1000	1	1.74
<b>3P+N+E</b>							
5	Red	346-415	50 and 60	416MPR6	2CMA167772R1000	1	1.76



### 32 A, IP44 Splashproof

Plastic enclosure (PBT). Contains RCD 40 A/0.03 A, type A.

Cable entry with knock-outs 2xØ 25 mm. Cable area 2.5-10 mm<sup>2</sup>



Terminals/ poles	Color code	Voltage V	Frequency Hz	Type	Order code	Pack	Weight kg/ea
<b>2P+E</b>							
3	Blue	200-250	50 and 60	232MPR6	2CMA167778R1000	1	1.77
<b>3P+E</b>							
4	Red	380-415	50 and 60	332MPR6	2CMA167786R1000	1	1.78
4	Blue	200-250	50 and 60	332MPR9	2CMA167788R1000	1	1.78
<b>3P+N+E</b>							
5	Red	346-415	50 and 60	432MPR6	2CMA167796R1000	1	1.80

- The switch insert can be equipped with an auxiliary contact (see page 75).
- The switch handle is padlockable (5-8 mm shackle).

- Accessories .....page 70
- Technical data.....page 83
- Dimensions.....page 88



# Switched interlocked socket outlets

## With protection



### 16 A, IP67 Watertight

Plastic enclosure (PBT). Contains RCD 25 A/0.03 A, type A.

Cable entry with knock-outs 2xØ 25 mm. Cable area 1.5-4 mm<sup>2</sup>



Terminals/ poles	Color code	Voltage V	Frequency Hz	Type	Order code	Pack	Weight kg/ea
<b>2P+E</b>							
3	Yellow	100-130	50 and 60	216MPR4W	2CMA168057R1000	1	1.74
3	Blue	200-250	50 and 60	216MPR6W	2CMA168058R1000	1	1.74
3	Grey	transf	50 and 60	216MPR12W	2CMA168060R1000	1	1.74
<b>3P+E</b>							
4	Yellow	100-130	50 and 60	316MPR4W	2CMA168064R1000	1	1.77
4	Red	380-415	50 and 60	316MPR6W	2CMA168066R1000	1	1.77
4	Blue	200-250	50 and 60	316MPR9W	2CMA168068R1000	1	1.77
<b>3P+N+E</b>							
5	Yellow	100-130	50 and 60	416MPR4W	2CMA168074R1000	1	1.79
5	Red	346-415	50 and 60	416MPR6W	2CMA168075R1000	1	1.79
5	Blue	208-250	50 and 60	416MPR9W	2CMA168077R1000	1	1.79

### 32 A, IP67 Watertight

Plastic enclosure (PBT). Contains RCD 40 A/0.03 A, type A.

Cable entry with knock-outs 2xØ 25 mm. Cable area 2.5-10 mm<sup>2</sup>



Terminals/ poles	Color code	Voltage V	Frequency Hz	Type	Order code	Pack	Weight kg/ea
<b>2P+E</b>							
3	Yellow	100-130	50 and 60	232MPR4W	2CMA168080R1000	1	1.80
3	Blue	200-250	50 and 60	232MPR6W	2CMA168081R1000	1	1.80
3	Grey	transf	50 and 60	232MPR12W	2CMA168083R1000	1	1.80
<b>3P+E</b>							
4	Yellow	100-130	50 and 60	332MPR4W	2CMA168087R1000	1	1.81
4	Red	380-415	50 and 60	332MPR6W	2CMA168089R1000	1	1.81
4	Blue	200-250	50 and 60	332MPR9W	2CMA168091R1000	1	1.81
<b>3P+N+E</b>							
5	Yellow	100-130	50 and 60	432MPR4W	2CMA168097R1000	1	1.83
5	Red	346-415	50 and 60	432MPR6W	2CMA168098R1000	1	1.83
5	Blue	208-250	50 and 60	432MPR9W	2CMA168100R1000	1	1.83

- The switch insert can be equipped with an auxiliary contact (see page 75).

- Accessories ..... page 70
- Technical data ..... page 83
- Dimensions ..... page 88

# Switched interlocked socket outlets

## With protection



### 16 A, IP67 Watertight

Plastic enclosure (PBT). Cable entry with knock-outs 2xØ 25 mm.  
Cable area 1.5-10 mm<sup>2</sup>. Delivered without MCB/RCD. Space for 4 modules.



Terminals/ poles	Color code	Voltage V	Frequency Hz	Type	Order code	Pack	Weight kg/ea
<b>2P+E</b>							
3	Blue	200-250	50 and 60	216MP6WP	2CMA162878R1000	1	0.82
<b>3P+N+E</b>							
5	Red	346-415	50 and 60	416MP6WP	2CMA162895R1000	1	0.94

### 32 A, IP67 Watertight

Plastic enclosure (PBT). Cable entry with knock-outs 2xØ 25 mm.  
Cable area 2.5-10 mm<sup>2</sup>. Delivered without MCB/RCD. Space for 4 modules.



Terminals/ poles	Color code	Voltage V	Frequency Hz	Type	Order code	Pack	Weight kg/ea
<b>2P+E</b>							
3	Blue	200-250	50 and 60	232MP6WP	2CMA163172R1000	1	0.85
<b>3P+N+E</b>							
5	Red	346-415	50 and 60	432MP6WP	2CMA163193R1000	1	0.97

- The switch handle is padlockable (5-8 mm shackle).
- The switch insert can be equipped with an auxiliary contact (see page 75).

- Accessories .....page 70
- Technical data.....page 83
- Dimensions.....page 88

# Surface socket outlets

## Plastic enclosed



### 16 A, IP44 Splashproof

Plastic enclosure (PA). Flexible membrane and metric threaded M20 insert for top cable entry. Rear knock-out cable entry. Cable area 1.5-4 mm<sup>2</sup>



Terminals/ poles	Color code	Voltage V	Frequency Hz	Type	Order code	Pack	Weight kg/ea
<b>2P+E</b>							
3	Yellow	100-130	50 and 60	216RS4 *	2CMA193097R1000	10	0.22
3	Blue	200-250	50 and 60	216RS6 *	2CMA193098R1000	10	0.22
<b>3P+E</b>							
4	Yellow	100-130	50 and 60	316RS4	2CMA193104R1000	10	0.24
4	Black	600-690	50 and 60	316RS5	2CMA193105R1000	10	0.24
4	Red	380-415	50 and 60	316RS6 *	2CMA193106R1000	10	0.24
4	Black	480-500	50 and 60	316RS7 *	2CMA193107R1000	10	0.24
4	Blue	200-250	50 and 60	316RS9	2CMA193108R1000	10	0.24
4	Red	440-460	60	316RS11	2CMA193110R1000	10	0.24
<b>3P+N+E</b>							
5	Red	346-415	50 and 60	416RS6 *	2CMA193115R1000	10	0.26



### 32 A, IP44 Splashproof

Plastic enclosure (PA). Flexible membrane and metric threaded M25 insert for top cable entry. Rear knock-out cable entry. Cable area 2.5-10 mm<sup>2</sup>



Terminals/ poles	Color code	Voltage V	Frequency Hz	Type	Order code	Pack	Weight kg/ea
<b>2P+E</b>							
3	Yellow	100-130	50 and 60	232RS4	2CMA193121R1000	10	0.30
3	Blue	200-250	50 and 60	232RS6 *	2CMA193122R1000	10	0.30
<b>3P+E</b>							
4	Black	600-690	50 and 60	332RS5	2CMA193129R1000	10	0.32
4	Red	380-415	50 and 60	332RS6 *	2CMA193130R1000	10	0.32
4	Black	480-500	50 and 60	332RS7	2CMA193131R1000	10	0.32
4	Blue	200-250	50 and 60	332RS9	2CMA193132R1000	10	0.32
<b>3P+N+E</b>							
5	Red	346-415	50 and 60	432RS6 *	2CMA193139R1000	10	0.34



### 63 A, IP44 Splashproof

Plastic enclosure (PBT)

Cable entry M32, alternative rear knock-out. Cable area 6-25 mm<sup>2</sup>



Terminals/ poles	Color code	Voltage V	Frequency Hz	Type	Order code	Pack	Weight kg/ea
<b>2P+E</b>							
3	Yellow	100-130	50 and 60	263RS4	2CMA167474R1000	1	0.95
3	Blue	200-250	50 and 60	263RS6	2CMA167476R1000	1	0.95
<b>3P+E</b>							
4	Black	600-690	50 and 60	363RS5	2CMA167496R1000	1	0.99
4	Red	380-415	50 and 60	363RS6 *	2CMA167498R1000	1	0.99
4	Black	480-500	50 and 60	363RS7	2CMA167500R1000	1	0.99
4	Blue	200-250	50 and 60	363RS9	2CMA167502R1000	1	0.99
<b>3P+N+E</b>							
5	Red	346-415	50 and 60	463RS6 *	2CMA167484R1000	1	1.05

\*) Indicates standard product.

- Accessories ..... page 70
- Technical data ..... page 83
- Dimensions ..... page 85

# Surface socket outlets

## Plastic enclosed



### 16 A, IP67 Watertight

Plastic enclosure (PBT)

Cable entry Ø 25 mm. Cable area 1.5-4 mm<sup>2</sup>



Terminals/ poles	Color code	Voltage V	Frequency Hz	Type	Order code	Pack	Weight kg/ea
<b>2P+E</b>							
3	Grey	>50-250	DC	216RS3W	2CMA167147R1000	1	0.34
3	Yellow	100-130	50 and 60	216RS4W	2CMA167148R1000	1	0.34
3	Blue	200-250	50 and 60	216RS6W *	2CMA167149R1000	1	0.34
3	Red	380-415	50 and 60	216RS9W	2CMA167150R1000	1	0.34
3	Grey	transf	50 and 60	216RS12W	2CMA167151R1000	1	0.34
3	Grey		AC	216RS1W	2CMA167152R1000	1	0.34
<b>3P+E</b>							
4	Green	>50	>300-500	316RS2W	2CMA167153R1000	1	0.37
4	Red	380/440	50/60	316RS3W	2CMA167154R1000	1	0.37
4	Yellow	100-130	50 and 60	316RS4W	2CMA167155R1000	1	0.37
4	Black	600-690	50 and 60	316RS5W	2CMA167156R1000	1	0.37
4	Red	380-415	50 and 60	316RS6W *	2CMA167157R1000	1	0.37
4	Black	480-500	50 and 60	316RS7W	2CMA167158R1000	1	0.37
4	Blue	200-250	50 and 60	316RS9W	2CMA167159R1000	1	0.37
4	Green	>50	100-300	316RS10W	2CMA167160R1000	1	0.37
4	Red	440-460	60	316RS11W	2CMA167161R1000	1	0.37
4	Grey		AC	316RS1W	2CMA167162R1000	1	0.37

### 3P+N+E

5	Green	>50	>300-500	416RS2W	2CMA167163R1000	1	0.40
5	Red	380/440	50/60	416RS3W	2CMA167164R1000	1	0.40
5	Yellow	100-130	50 and 60	416RS4W	2CMA167165R1000	1	0.40
5	Red	346-415	50 and 60	416RS6W *	2CMA167166R1000	1	0.40
5	Black	480-500	50 and 60	416RS7W	2CMA167167R1000	1	0.40
5	Blue	208-250	50 and 60	416RS9W	2CMA167168R1000	1	0.40
5	Red	440-460	60	416RS11W	2CMA167169R1000	1	0.40
5	Grey		AC	416RS1W	2CMA167170R1000	1	0.40

### 32 A, IP67 Watertight

Plastic enclosure (PBT)

Cable entry Ø 25 mm. Cable area 2.5-10 mm<sup>2</sup>



Terminals/ poles	Color code	Voltage V	Frequency Hz	Type	Order code	Pack	Weight kg/ea
<b>2P+E</b>							
3	Yellow	100-130	50 and 60	232RS4W	2CMA167171R1000	1	0.41
3	Blue	200-250	50 and 60	232RS6W *	2CMA167172R1000	1	0.41
3	Red	380-415	50 and 60	232RS9W	2CMA167173R1000	1	0.41
3	Grey	transf	50 and 60	232RS12W	2CMA167174R1000	1	0.41
3	Grey		AC	232RS1W	2CMA167175R1000	1	0.41
<b>3P+E</b>							
4	Green	>50	>300-500	332RS2W	2CMA167176R1000	1	0.43
4	Red	380/440	50/60	332RS3W	2CMA167177R1000	1	0.43
4	Yellow	100-130	50 and 60	332RS4W	2CMA167178R1000	1	0.43
4	Black	600-690	50 and 60	332RS5W	2CMA167179R1000	1	0.43
4	Red	380-415	50 and 60	332RS6W *	2CMA167180R1000	1	0.43
4	Black	480-500	50 and 60	332RS7W	2CMA167181R1000	1	0.43
4	Blue	200-250	50 and 60	332RS9W	2CMA167182R1000	1	0.43
4	Green	>50	100-300	332RS10W	2CMA167183R1000	1	0.43
4	Red	440-460	60	332RS11W	2CMA167184R1000	1	0.43
4	Grey		AC	332RS1W	2CMA167185R1000	1	0.43

### 3P+N+E

5	Green	>50	>300-500	432RS2W	2CMA167186R1000	1	0.48
5	Red	380/440	50/60	432RS3W	2CMA167187R1000	1	0.48
5	Yellow	100-130	50 and 60	432RS4W	2CMA167188R1000	1	0.48
5	Red	346-415	50 and 60	432RS6W *	2CMA167189R1000	1	0.48
5	Black	480-500	50 and 60	432RS7W	2CMA167190R1000	1	0.48
5	Blue	208-250	50 and 60	432RS9W	2CMA167191R1000	1	0.48
5	Red	440-460	60	432RS11W	2CMA167192R1000	1	0.48
5	Grey		AC	432RS1W	2CMA167193R1000	1	0.48

\*) Indicates standard product.

- Accessories ..... page 70
- Technical data ..... page 83
- Dimensions ..... page 85

# Surface socket outlets

## Plastic enclosed



### 63 A, IP67 Watertight

Plastic enclosure (PBT)

Cable entry Ø 32 mm. Cable area 6-25 mm<sup>2</sup>



Terminals/ poles	Color code	Voltage V	Frequency Hz	Type	Order code	Pack	Weight kg/ea
<b>2P+E</b>							
3	Grey		AC	263RS1W	2CMA167310R1000	1	1.00
3	Yellow	100-130	50 and 60	263RS4W	2CMA167304R1000	1	1.00
3	Blue	200-250	50 and 60	263RS6W	2CMA167306R1000	1	1.00
3	Red	380-415	50 and 60	263RS9W	2CMA167308R1000	1	1.00
<b>3P+E</b>							
4	Grey		AC	363RS1W	2CMA167324R1000	1	1.07
4	Yellow	100-130	50 and 60	363RS4W	2CMA167312R1000	1	1.07
4	Black	600-690	50 and 60	363RS5W	2CMA167314R1000	1	1.07
4	Red	380-415	50 and 60	363RS6W	2CMA167316R1000	1	1.07
4	Black	480-500	50 and 60	363RS7W	2CMA167318R1000	1	1.07
4	Blue	200-250	50 and 60	363RS9W	2CMA167320R1000	1	1.07
4	Red	440-460	60	363RS11W	2CMA167322R1000	1	1.07
<b>3P+N+E</b>							
5	Grey		AC	463RS1W	2CMA167336R1000	1	1.15
5	Yellow	100-130	50 and 60	463RS4W	2CMA167326R1000	1	1.15
5	Red	346-415	50 and 60	463RS6W *	2CMA167328R1000	1	1.15
5	Black	480-500	50 and 60	463RS7W	2CMA167330R1000	1	1.15
5	Blue	208-250	50 and 60	463RS9W	2CMA167332R1000	1	1.15
5	Red	440-460	60	463RS11W	2CMA167334R1000	1	1.15



### 125 A, IP67 Watertight

Plastic enclosure (PBT)

Cable entry Ø 50 mm. Cable area 16-70 mm<sup>2</sup>



Terminals/ poles	Color code	Voltage V	Frequency Hz	Type	Order code	Pack	Weight kg/ea
<b>2P+E</b>							
3	Grey		AC	2125RS1W	2CMA167248R1000	1	1.45
3	Yellow	100-130	50 and 60	2125RS4W	2CMA167244R1000	1	1.45
3	Blue	200-250	50 and 60	2125RS6W	2CMA167246R1000	1	1.45
<b>3P+E</b>							
4	Grey		AC	3125RS1W	2CMA167260R1000	1	1.55
4	Yellow	100-130	50 and 60	3125RS4W	2CMA167250R1000	1	1.55
4	Black	600-690	50 and 60	3125RS5W	2CMA167251R1000	1	1.55
4	Red	380-415	50 and 60	3125RS6W *	2CMA167252R1000	1	1.55
4	Black	480-500	50 and 60	3125RS7W	2CMA167254R1000	1	1.55
4	Blue	200-250	50 and 60	3125RS9W	2CMA167256R1000	1	1.55
4	Red	440-460	60	3125RS11W	2CMA167258R1000	1	1.55
<b>3P+N+E</b>							
5	Grey		AC	4125RS1W	2CMA167272R1000	1	1.69
5	Yellow	100-130	50 and 60	4125RS4W	2CMA167262R1000	1	1.69
5	Red	346-415	50 and 60	4125RS6W *	2CMA167264R1000	1	1.69
5	Black	480-500	50 and 60	4125RS7W	2CMA167266R1000	1	1.69
5	Blue	208-250	50 and 60	4125RS9W	2CMA167268R1000	1	1.69
5	Red	440-460	60	4125RS11W	2CMA167270R1000	1	1.69

\* Indicates standard product.

- Accessories .....page 70
- Technical data.....page 83
- Dimensions.....page 85

# Surface socket outlets

## Application examples



# Surface socket outlets

## For looping



### 16 A, IP67 Watertight

Plastic enclosure (PBT). Cable entry knock-outs 2xØ 25 mm.

Terminal block 2x(2.5-10 mm<sup>2</sup>). Outlet is connected to terminal block.



Terminals/ poles	Color code	Voltage V	Frequency Hz	Type	Order code	Pack	Weight kg/ea
<b>2P+E</b>							
3	Grey		AC	216RL1W	2CMA168461R1000	1	0.63
3	Grey	>50-250	DC	216RL3W	2CMA168456R1000	1	0.63
3	Yellow	100-130	50 and 60	216RL4W	2CMA168457R1000	1	0.63
3	Blue	200-250	50 and 60	216RL6W	2CMA168458R1000	1	0.63
3	Red	380-415	50 and 60	216RL9W	2CMA168459R1000	1	0.63
3	Grey	transf	DC	216RL12W	2CMA168460R1000	1	0.63
<b>3P+E</b>							
4	Grey		AC	316RL1W	2CMA168471R1000	1	0.66
4	Green	>50	>300-500	316RL2W	2CMA168462R1000	1	0.66
4	Red	380/440	50/60	316RL3W	2CMA168463R1000	1	0.66
4	Yellow	100-130	50 and 60	316RL4W	2CMA168464R1000	1	0.66
4	Black	600-690	50 and 60	316RL5W	2CMA168465R1000	1	0.66
4	Red	380-415	50 and 60	316RL6W	2CMA168466R1000	1	0.66
4	Black	480-500	50 and 60	316RL7W	2CMA168467R1000	1	0.66
4	Blue	200-250	50 and 60	316RL9W	2CMA168468R1000	1	0.66
4	Green	>50	100-300	316RL10W	2CMA168469R1000	1	0.66
4	Red	440-460	60	316RL11W	2CMA168470R1000	1	0.66
<b>3P+N+E</b>							
5	Grey		AC	416RL1W	2CMA168479R1000	1	0.68
5	Green	>50	>300-500	416RL2W	2CMA168472R1000	1	0.68
5	Red	380/440	50/60	416RL3W	2CMA168473R1000	1	0.68
5	Yellow	100-130	50 and 60	416RL4W	2CMA168474R1000	1	0.68
5	Red	346-415	50 and 60	416RL6W	2CMA168475R1000	1	0.68
5	Black	480-500	50 and 60	416RL7W	2CMA168476R1000	1	0.68
5	Blue	208-250	50 and 60	416RL9W	2CMA168477R1000	1	0.68
5	Red	440-460	60	416RL11W	2CMA168478R1000	1	0.68



### 32 A, IP67 Watertight

Plastic enclosure (PBT). Cable entry knock-outs 2xØ 25 mm.

Terminal block 2x(2.5-10 mm<sup>2</sup>). Outlet is connected to terminal block.



Terminals/ poles	Color code	Voltage V	Frequency Hz	Type	Order code	Pack	Weight kg/ea
<b>2P+E</b>							
3	Grey		AC	232RL1W	2CMA168484R1000	1	0.69
3	Yellow	100-130	50 and 60	232RL4W	2CMA168480R1000	1	0.69
3	Blue	200-250	50 and 60	232RL6W	2CMA168481R1000	1	0.69
3	Red	380-415	50 and 60	232RL9W	2CMA168482R1000	1	0.69
3	Grey	transf	50 and 60	232RL12W	2CMA168483R1000	1	0.69
<b>3P+E</b>							
4	Grey		AC	332RL1W	2CMA168494R1000	1	0.70
4	Green	>50	>300-500	332RL2W	2CMA168485R1000	1	0.70
4	Red	380/440	50/60	332RL3W	2CMA168486R1000	1	0.70
4	Yellow	100-130	50 and 60	332RL4W	2CMA168487R1000	1	0.70
4	Black	600-690	50 and 60	332RL5W	2CMA168488R1000	1	0.70
4	Red	380-415	50 and 60	332RL6W	2CMA168489R1000	1	0.70
4	Black	480-500	50 and 60	332RL7W	2CMA168490R1000	1	0.70
4	Blue	200-250	50 and 60	332RL9W	2CMA168491R1000	1	0.70
4	Green	>50	100-300	332RL10W	2CMA168492R1000	1	0.70
4	Red	440-460	60	332RL11W	2CMA168493R1000	1	0.70
<b>3P+N+E</b>							
5	Grey		AC	432RL1W	2CMA168502R1000	1	0.72
5	Green	>50	>300-500	432RL2W	2CMA168495R1000	1	0.72
5	Red	380/440	50/60	432RL3W	2CMA168496R1000	1	0.72
5	Yellow	100-130	50 and 60	432RL4W	2CMA168497R1000	1	0.72
5	Red	346-415	50 and 60	432RL6W *	2CMA168498R1000	1	0.72
5	Black	480-500	50 and 60	432RL7W	2CMA168499R1000	1	0.72
5	Blue	208-250	50 and 60	432RL9W	2CMA168500R1000	1	0.72
5	Red	440-460	60	432RL11W	2CMA168501R1000	1	0.72

\*) Indicates standard product.

- Accessories ..... page 70
- Technical data ..... page 83
- Dimensions ..... page 85

# Surface socket outlets

## For looping



### 125 A, IP67 Watertight

Plastic enclosure (PBT). Cable entry with knock-outs 2xØ 50/25 mm.

Terminal block 2x(16-70 mm<sup>2</sup>). Outlet is connected to terminal block.



Terminals/ poles	Color code	Voltage V	Frequency Hz	Type	Order code	Pack	Weight kg/ea
<b>2P+E</b>							
3	Grey		AC	2125RL1W	2CMA168528R1000	1	4.00
3	Yellow	100-130	50 and 60	2125RL4W	2CMA168526R1000	1	4.00
3	Blue	200-250	50 and 60	2125RL6W	2CMA168527R1000	1	4.00
<b>3P+E</b>							
4	Grey		AC	3125RL1W	2CMA168534R1000	1	4.10
4	Yellow	100-130	50 and 60	3125RL4W	2CMA168529R1000	1	4.10
4	Red	380-415	50 and 60	3125RL6W	2CMA168530R1000	1	4.10
4	Black	480-500	50 and 60	3125RL7W	2CMA168531R1000	1	4.10
4	Blue	200-250	50 and 60	3125RL9W	2CMA168532R1000	1	4.10
4	Red	440-460	60	3125RL11W	2CMA168533R1000	1	4.10
<b>3P+N+E</b>							
5	Grey		AC	4125RL1W	2CMA168540R1000	1	4.25
5	Yellow	100-130	50 and 60	4125RL4W	2CMA168535R1000	1	4.25
5	Red	346-415	50 and 60	4125RL6W	2CMA168536R1000	1	4.25
5	Black	480-500	50 and 60	4125RL7W	2CMA168537R1000	1	4.25
5	Blue	208-250	50 and 60	4125RL9W	2CMA168538R1000	1	4.25
5	Red	440-460	60	4125RL11W	2CMA168539R1000	1	4.25

- 2125 - 4125RL...W can be equipped with sealing up to 70 mm<sup>2</sup>.
- Cable clamps for AI available on request.
- RL...W have terminal block for 2 wire feeding under the same clamp.

- Accessories .....page 70
- Technical data.....page 83
- Dimensions.....page 85



# Surface socket outlets

## With protection



### 16 A, IP44 Splashproof

Plastic enclosure (PBT). Contains MCB type S200 characteristic C.  
Cable entry with knock-outs 2xØ 25 mm. Cable area 1.5-10 mm<sup>2</sup>



Terminals/ poles	Color code	Voltage V	Frequency Hz	Type	Order code	Pack	Weight kg/ea
<b>2P+E</b>							
3	Blue	200-250	50 and 60	216RPM6	2CMA168133R1000	1	1.13
<b>3P+E</b>							
4	Black	600-690	50 and 60	316RPM5	2CMA168140R1000	1	1.16
4	Red	380-415	50 and 60	316RPM6	2CMA168141R1000	1	1.16
4	Blue	200-250	50 and 60	316RPM9	2CMA168143R1000	1	1.16
<b>3P+N+E</b>							
5	Red	346-415	50 and 60	416RPM6	2CMA168150R1000	1	1.18



### 32 A, IP44 Splashproof

Plastic enclosure (PBT). Contains MCB type S200 characteristic C.  
Cable entry with knock-outs 2xØ 25 mm. Cable area 2.5-10 mm<sup>2</sup>



Terminals/ poles	Color code	Voltage V	Frequency Hz	Type	Order code	Pack	Weight kg/ea
<b>2P+E</b>							
3	Blue	200-250	50 and 60	232RPM6	2CMA168156R1000	1	1.19
<b>3P+E</b>							
4	Black	600-690	50 and 60	332RPM5	2CMA168163R1000	1	1.20
4	Red	380-415	50 and 60	332RPM6	2CMA168164R1000	1	1.20
4	Blue	200-250	50 and 60	332RPM9	2CMA168166R1000	1	1.20
<b>3P+N+E</b>							
5	Red	346-415	50 and 60	432RPM6	2CMA168173R1000	1	1.22

- Accessories .....page 70
- Technical data.....page 83
- Dimensions.....page 88

# Surface socket outlets

## With protection



### 16 A, IP67 Watertight

Plastic enclosure (PBT). Contains MCB type S201/S203 characteristic C.

Cable entry with knock-outs 2xØ 25 mm. Cable area 1.5-10 mm<sup>2</sup>



Terminals/ poles	Color code	Voltage V	Frequency Hz	Type	Order code	Pack	Weight kg/ea
<b>2P+E</b>							
3	Yellow	100-130	50 and 60	216RPM4W	2CMA168196R1000	1	1.16
3	Blue	200-250	50 and 60	216RPM6W	2CMA168197R1000	1	1.16
3	Red	380-415	50 and 60	216RPM9W	2CMA168198R1000	1	1.16
3	Grey	transf	50 and 60	216RPM12W	2CMA168199R1000	1	1.16
<b>3P+E</b>							
4	Green	>50	>300-500	316RPM2W	2CMA168201R1000	1	1.19
4	Red	380/440	50/60	316RPM3W	2CMA168202R1000	1	1.19
4	Yellow	100-130	50 and 60	316RPM4W	2CMA168203R1000	1	1.19
4	Black	600-690	50 and 60	316RPM5W	2CMA168204R1000	1	1.19
4	Red	380-415	50 and 60	316RPM6W	2CMA168205R1000	1	1.19
4	Black	480-500	50 and 60	316RPM7W	2CMA168206R1000	1	1.19
4	Blue	200-250	50 and 60	316RPM9W	2CMA168207R1000	1	1.19
4	Green	>50	100-300	316RPM10W	2CMA168208R1000	1	1.19
4	Red	440-460	60	316RPM11W	2CMA168209R1000	1	1.19
<b>3P+N+E</b>							
5	Green	>50	>300-500	416RPM2W	2CMA168211R1000	1	1.21
5	Red	380/440	50/60	416RPM3W	2CMA168212R1000	1	1.21
5	Yellow	100-130	50 and 60	416RPM4W	2CMA168213R1000	1	1.21
5	Red	346-415	50 and 60	416RPM6W	2CMA168214R1000	1	1.21
5	Black	480-500	50 and 60	416RPM7W	2CMA168215R1000	1	1.21
5	Blue	208-250	50 and 60	416RPM9W	2CMA168216R1000	1	1.21
5	Red	440-460	60	416RPM11W	2CMA168217R1000	1	1.21



### 32 A, IP67 Watertight

Plastic enclosure (PBT). Contains MCB type S201/S203 characteristic C.

Cable entry with knock-outs 2xØ 25 mm. Cable area 2.5-10 mm<sup>2</sup>



Terminals/ poles	Color code	Voltage V	Frequency Hz	Type	Order code	Pack	Weight kg/ea
<b>2P+E</b>							
3	Yellow	100-130	50 and 60	232RPM4W	2CMA168219R1000	1	1.22
3	Blue	200-250	50 and 60	232RPM6W	2CMA168220R1000	1	1.22
3	Red	380-415	50 and 60	232RPM9W	2CMA168221R1000	1	1.22
3	Grey	transf	50 and 60	232RPM12W	2CMA168222R1000	1	1.22
<b>3P+E</b>							
4	Green	>50	>300-500	332RPM2W	2CMA168224R1000	1	1.23
4	Red	380/440	50/60	332RPM3W	2CMA168225R1000	1	1.23
4	Yellow	100-130	50 and 60	332RPM4W	2CMA168226R1000	1	1.23
4	Black	600-690	50 and 60	332RPM5W	2CMA168227R1000	1	1.23
4	Red	380-415	50 and 60	332RPM6W	2CMA168228R1000	1	1.23
4	Black	480-500	50 and 60	332RPM7W	2CMA168229R1000	1	1.23
4	Blue	200-250	50 and 60	332RPM9W	2CMA168230R1000	1	1.23
5	Green	>50	100-300	332RPM10W	2CMA168231R1000	1	1.23
4	Red	440-460	60	332RPM11W	2CMA168232R1000	1	1.23
<b>3P+N+E</b>							
5	Green	>50	>300-500	432RPM2W	2CMA168234R1000	1	1.25
5	Red	380/440	50/60	432RPM3W	2CMA168235R1000	1	1.25
5	Yellow	100-130	50 and 60	432RPM4W	2CMA168236R1000	1	1.25
5	Red	346-415	50 and 60	432RPM6W *	2CMA168237R1000	1	1.25
5	Black	480-500	50 and 60	432RPM7W	2CMA168238R1000	1	1.25
5	Blue	208-250	50 and 60	432RPM9W	2CMA168239R1000	1	1.25
5	Red	440-460	60	432RPM11W	2CMA168240R1000	1	1.25

\* Indicates standard product.

- Accessories .....page 70
- Technical data.....page 83
- Dimensions.....page 88

# Surface socket outlets

## With protection



### 16 A, IP44 Splashproof

Plastic enclosure (PBT). Contains RCD 25 A/0.03 A, type A.

Cable entry with knock-outs 2xØ 25 mm. Cable area 1.5-4 mm<sup>2</sup>



Terminals/ poles	Color code	Voltage V	Frequency Hz	Type	Order code	Pack	Weight kg/ea
<b>2P+E</b>							
3	Blue	200-250	50 and 60	216RPR6	2CMA168261R1000	1	1.13
<b>3P+E</b>							
4	Red	380-415	50 and 60	316RPR6	2CMA168269R1000	1	1.16
4	Blue	200-250	50 and 60	316RPR9	2CMA168271R1000	1	1.16
<b>3P+N+E</b>							
5	Red	346-415	50 and 60	416RPR6	2CMA168278R1000	1	1.18



### 32 A, IP44 Splashproof

Plastic enclosure (PBT). Contains RCD 40 A/0.03 A, type A.

Cable entry with knock-outs 2xØ 25 mm. Cable area 2.5-10 mm<sup>2</sup>



Terminals/ poles	Color code	Voltage V	Frequency Hz	Type	Order code	Pack	Weight kg/ea
<b>2P+E</b>							
3	Blue	200-250	50 and 60	232RPR6	2CMA168283R1000	1	1.19
<b>3P+E</b>							
4	Red	380-415	50 and 60	332RPR6	2CMA168291R1000	1	1.20
4	Blue	200-250	50 and 60	332RPR9	2CMA168293R1000	1	1.20
<b>3P+N+E</b>							
5	Red	346-415	50 and 60	432RPR6	2CMA168300R1000	1	1.22

- Accessories ..... page 70
- Technical data ..... page 83
- Dimensions ..... page 88

# Surface socket outlets

## With protection



### 16 A, IP67 Watertight

Plastic enclosure (PBT). Contains RCD 25A/0.03 A, type A.

Cable entry with knock-outs 2 x Ø 25 mm. Cable area 1.5-4 mm<sup>2</sup>



Terminals/ poles	Color code	Voltage V	Frequency Hz	Type	Order code	Pack	Weight kg/ea
<b>2P+E</b>							
3	Yellow	100-130	50 and 60	216RPR4W	2CMA168323R1000	1	1.16
3	Blue	200-250	50 and 60	216RPR6W	2CMA168324R1000	1	1.16
3	Grey	transf	50 and 60	216RPR12W	2CMA168326R1000	1	1.16
<b>3P+E</b>							
4	Yellow	100-130	50 and 60	316RPR4W	2CMA168330R1000	1	1.19
4	Red	380-415	50 and 60	316RPR6W	2CMA168332R1000	1	1.19
4	Blue	200-250	50 and 60	316RPR9W	2CMA168334R1000	1	1.19
<b>3P+N+E</b>							
5	Yellow	100-130	50 and 60	416RPR4W	2CMA168340R1000	1	1.21
5	Red	346-415	50 and 60	416RPR6W	2CMA168341R1000	1	1.21
5	Blue	208-250	50 and 60	416RPR9W	2CMA168343R1000	1	1.21



### 32 A, IP67 Watertight

Plastic enclosure (PBT). Contains RCD 40 A/0.03 A, type A.

Cable entry with knock-outs 2xØ 25 mm. Cable area 2.5-10 mm<sup>2</sup>



Terminals/ poles	Color code	Voltage V	Frequency Hz	Type	Order code	Pack	Weight kg/ea
<b>2P+E</b>							
3	Yellow	100-130	50 and 60	232RPR4W	2CMA168346R1000	1	1.22
3	Blue	200-250	50 and 60	232RPR6W *	2CMA168347R1000	1	1.22
3	Grey	transf	50 and 60	232RPR12W	2CMA168349R1000	1	1.22
<b>3P+E</b>							
4	Yellow	100-130	50 and 60	332RPR4W	2CMA168353R1000	1	1.23
4	Red	380-415	50 and 60	332RPR6W *	2CMA168355R1000	1	1.23
4	Blue	200-250	50 and 60	332RPR9W	2CMA168357R1000	1	1.23
<b>3P+N+E</b>							
5	Yellow	100-130	50 and 60	432RPR4W	2CMA168363R1000	1	1.25
5	Red	346-415	50 and 60	432RPR6W	2CMA168364R1000	1	1.25
5	Blue	208-250	50 and 60	432RPR9W	2CMA168366R1000	1	1.25

\*) Indicates standard product.

- Accessories .....page 70
- Technical data.....page 83
- Dimensions.....page 88

# Surface socket outlets

## Prepared for protection



### 16 A, IP67 Watertight

Plastic enclosure (PBT). Cable entry with knock-outs 2xØ 25 mm.  
Cable area 1.5-10 mm<sup>2</sup>. Delivered without MCB/RCD. Space for 4 modules.



Terminals/ poles	Color code	Voltage V	Frequency Hz	Type	Order code	Pack	Weight kg/ea
<b>2P+E</b>							
3	Blue	200-250	50 and 60	216RP6WP	2CMA164572R1000	1	0.82
<b>3P+N+E</b>							
5	Red	346-415	50 and 60	416RP6WP	2CMA164589R1000	1	0.94

### 32 A, IP67 Watertight

Plastic enclosure (PBT). Cable entry with knock-outs 2xØ 25 mm.  
Cable area 2.5-10 mm<sup>2</sup>. Delivered without MCB/RCD. Space for 4 modules.



Terminals/ poles	Color code	Voltage V	Frequency Hz	Type	Order code	Pack	Weight kg/ea
<b>2P+E</b>							
3	Blue	200-250	50 and 60	232RP6WP	2CMA164602R1000	1	0.85
<b>3P+N+E</b>							
5	Red	346-415	50 and 60	432RP6WP	2CMA164619R1000	1	0.97

- Accessories ..... page 70
- Technical data ..... page 83
- Dimensions ..... page 88

# Surface socket outlets

## For wall socket box



### 16 A, IP44 Splashproof

Plastic enclosure (PC). Cable area 1.5-4 mm<sup>2</sup>. Enclosure color RAL 7035.

Terminals/ poles	Color code	Voltage V	Frequency Hz	Type	Order code	Pack	Weight kg/ea
<b>For flush mounting</b>							
<b>2P+E</b>							
3	Blue	200-250	50 and 60	CUED 216-6 *	2CMA178698R1000	10	0.17
<b>3P+N+E</b>							
5	Red	346-415	50 and 60	CUED 416-6 *	2CMA178699R1000	10	0.21
<b>For surface mounting</b>							
<b>2P+E</b>							
3	Blue	200-250	50 and 60	CUED 216-6+RD216	2CMA178695R1000	10	0.25
<b>3P+N+E</b>							
5	Red	346-415	50 and 60	CUED 416-6+RD *	2CMA178696R1000	10	0.31

\*1) Indicates standard product.

#### Cable entries

- RD 216 has two alternative knock-out entries Ø 23 and Ø 20.5 mm.
- RD has four alternative knock-outs entries Ø 20.5, Ø 23, Ø 25.5 and Ø 29 mm

- Accessories .....page 70
- Technical data.....page 83
- Dimensions.....page 86

# Surface inlets



## 16 A, IP44 Splashproof

Plastic enclosure (PA). Flexible membrane and metric threaded M20 insert for top cable entry. Rear knock-out cable entry. Cable area 1.5-4 mm<sup>2</sup>



Terminals/ poles	Color code	Voltage V	Frequency Hz	Type	Order code	Pack	Weight kg/ea
<b>2P+E</b>							
3	Yellow	100-130	50 and 60	216BS4	2CMA193289R1000	10	0.15
3	Blue	200-250	50 and 60	216BS6 *	2CMA193290R1000	10	0.15
<b>3P+E</b>							
4	Yellow	100-130	50 and 60	316BS4	2CMA193296R1000	10	0.19
4	Black	600-690	50 and 60	316BS5	2CMA193297R1000	10	0.19
4	Red	380-415	50 and 60	316BS6 *	2CMA193298R1000	10	0.19
4	Black	480-500	50 and 60	316BS7	2CMA193299R1000	10	0.19
4	Blue	200-250	50 and 60	316BS9	2CMA193300R1000	10	0.19
4	Red	440-460	60	316BS11	2CMA193302R1000	10	0.19
<b>3P+N+E</b>							
5	Red	346-415	50 and 60	416BS6 *	2CMA193307R1000	10	0.20



## 32 A, IP44 Splashproof

Plastic enclosure (PA). Flexible membrane and metric threaded M25 insert for top cable entry. Rear knock-out cable entry. Cable area 2.5-10 mm<sup>2</sup>



Terminals/ poles	Color code	Voltage V	Frequency Hz	Type	Order code	Pack	Weight kg/ea
<b>2P+E</b>							
3	Yellow	100-130	50 and 60	232BS4	2CMA193313R1000	10	0.25
3	Blue	200-250	50 and 60	232BS6 *	2CMA193314R1000	10	0.25
<b>3P+E</b>							
4	Black	600-690	50 and 60	332BS5	2CMA193321R1000	10	0.27
4	Red	380-415	50 and 60	332BS6 *	2CMA193322R1000	10	0.27
4	Black	480-500	50 and 60	332BS7	2CMA193323R1000	10	0.27
4	Blue	200-250	50 and 60	332BS9	2CMA193324R1000	10	0.27
<b>3P+N+E</b>							
5	Red	346-415	50 and 60	432BS6 *	2CMA193331R1000	10	0.29



## 63 A, IP44 Splashproof

Plastic enclosure (PBT)  
M32 alternative rear knock-out cable entry. Cable area 6-25 mm<sup>2</sup>



Terminals/ poles	Color code	Voltage V	Frequency Hz	Type	Order code	Pack	Weight kg/ea
<b>2P+E</b>							
3	Yellow	100-130	50 and 60	263BS4	2CMA167542R1000	1	0.80
3	Blue	200-250	50 and 60	263BS6	2CMA167544R1000	1	0.80
<b>3P+E</b>							
4	Black	600-690	50 and 60	363BS5	2CMA167552R1000	1	0.85
4	Red	380-415	50 and 60	363BS6 *	2CMA167554R1000	1	0.85
4	Black	480-500	50 and 60	363BS7	2CMA167556R1000	1	0.85
4	Blue	200-250	50 and 60	363BS9	2CMA167558R1000	1	0.85
<b>3P+N+E</b>							
5	Red	346-415	50 and 60	463BS6 *	2CMA167566R1000	1	0.90

\*) Indicates standard product.

- Accessories ..... page 70
- Technical data..... page 83
- Dimensions..... page 91

# Surface inlets



## 16 A, IP67 Watertight

Plastic enclosure (PBT)

Cable entry Ø 25 mm. Cable area 1.5-4 mm<sup>2</sup>



Terminals/ poles	Color code	Voltage V	Frequency Hz	Type	Order code	Pack	Weight kg/ea
<b>2P+E</b>							
3	Grey		AC	216BS1W	2CMA167050R1000	1	0.36
3	Grey	>50-250	DC	216BS3W	2CMA167040R1000	1	0.36
3	Yellow	100-130	50 and 60	216BS4W	2CMA167042R1000	1	0.36
3	Blue	200-250	50 and 60	216BS6W	2CMA167044R1000	1	0.36
3	Red	380-415	50 and 60	216BS9W	2CMA167046R1000	1	0.36
3	Grey	transf	50 and 60	216BS12W	2CMA167048R1000	1	0.36
<b>3P+E</b>							
4	Grey		AC	316BS1W	2CMA167070R1000	1	0.41
4	Green	>50	>300-500	316BS2W	2CMA167052R1000	1	0.41
4	Red	380/440	50/60	316BS3W	2CMA167054R1000	1	0.41
4	Yellow	100-130	50 and 60	316BS4W	2CMA167056R1000	1	0.41
4	Black	600-690	50 and 60	316BS5W	2CMA167058R1000	1	0.41
4	Red	380-415	50 and 60	316BS6W *	2CMA167060R1000	1	0.41
4	Black	480-500	50 and 60	316BS7W	2CMA167062R1000	1	0.41
4	Blue	200-250	50 and 60	316BS9W *	2CMA167064R1000	1	0.41
4	Green	>50	100-300	316BS10W	2CMA167066R1000	1	0.41
4	Red	440-460	60	316BS11W	2CMA167068R1000	1	0.41
<b>3P+N+E</b>							
5	Grey		AC	416BS1W	2CMA167086R1000	1	0.43
5	Green	>50	>300-500	416BS2W	2CMA167072R1000	1	0.43
5	Red	380/440	50/60	416BS3W	2CMA167074R1000	1	0.43
5	Yellow	100-130	50 and 60	416BS4W	2CMA167076R1000	1	0.43
5	Red	346-415	50 and 60	416BS6W *	2CMA167078R1000	1	0.43
5	Black	480-500	50 and 60	416BS7W	2CMA167080R1000	1	0.43
5	Blue	208-250	50 and 60	416BS9W	2CMA167082R1000	1	0.43
5	Red	440-460	60	416BS11W	2CMA167084R1000	1	0.43

\*) Indicates standard product.

- Accessories .....page 70
- Technical data.....page 83
- Dimensions.....page 91



# Surface inlets



## 32 A, IP67 Watertight

Plastic enclosure (PBT)

Cable entry Ø 25 mm. Cable area 2.5-10 mm<sup>2</sup>



Terminals/ poles	Color code	Voltage V	Frequency Hz	Type	Order code	Pack	Weight kg/ea
<b>2P+E</b>							
3	Grey		AC	232BS1W	2CMA167096R1000	1	0.44
3	Yellow	100-130	50 and 60	232BS4W	2CMA167088R1000	1	0.44
3	Blue	200-250	50 and 60	232BS6W *	2CMA167090R1000	1	0.44
3	Red	380-415	50 and 60	232BS9W	2CMA167092R1000	1	0.44
3	Grey	transf	50 and 60	232BS12W	2CMA167094R1000	1	0.44
<b>3P+E</b>							
4	Grey		AC	332BS1W	2CMA167114R1000	1	0.46
4	Green	>50	>300-500	332BS2W	2CMA167098R1000	1	0.46
4	Red	380/440	50/60	332BS3W	2CMA167100R1000	1	0.46
4	Yellow	100-130	50 and 60	332BS4W	2CMA167102R1000	1	0.46
4	Black	600-690	50 and 60	332BS5W	2CMA167103R1000	1	0.46
4	Red	380-415	50 and 60	332BS6W *	2CMA167104R1000	1	0.46
4	Black	480-500	50 and 60	332BS7W	2CMA167106R1000	1	0.46
4	Blue	200-250	50 and 60	332BS9W	2CMA167108R1000	1	0.46
4	Green	>50	100-300	332BS10W	2CMA167110R1000	1	0.46
4	Red	440-460	60	332BS11W	2CMA167112R1000	1	0.46
<b>3P+N+E</b>							
5	Grey		AC	432BS1W	2CMA167130R1000	1	0.48
5	Green	>50	>300-500	432BS2W	2CMA167116R1000	1	0.48
5	Red	380/440	50/60	432BS3W	2CMA167118R1000	1	0.48
5	Yellow	100-130	50 and 60	432BS4W	2CMA167120R1000	1	0.48
5	Red	346-415	50 and 60	432BS6W *	2CMA167122R1000	1	0.48
5	Black	480-500	50 and 60	432BS7W	2CMA167124R1000	1	0.48
5	Blue	208-250	50 and 60	432BS9W	2CMA167126R1000	1	0.48
5	Red	440-460	60	432BS11W	2CMA167128R1000	1	0.48

\*) Indicates standard product.

- Accessories .....page 70
- Technical data.....page 83
- Dimensions.....page 91

# Surface inlets



## 63 A, IP67 Watertight

Plastic enclosure (PBT)

Cable entry Ø 32 mm. Cable area 6-25 mm<sup>2</sup>



Terminals/ poles	Color code	Voltage V	Frequency Hz	Type	Order code	Pack	Weight kg/ea
<b>2P+E</b>							
3	Grey		AC	263BS1W	2CMA167344R1000	1	1.20
3	Yellow	100-130	50 and 60	263BS4W	2CMA167338R1000	1	1.20
3	Blue	200-250	50 and 60	263BS6W	2CMA167340R1000	1	1.20
3	Red	380-415	50 and 60	263BS9W	2CMA167342R1000	1	1.20
<b>3P+E</b>							
4	Grey		AC	363BS1W	2CMA167358R1000	1	1.30
4	Yellow	100-130	50 and 60	363BS4W	2CMA167346R1000	1	1.30
4	Black	600-690	50 and 60	363BS5W	2CMA167348R1000	1	1.30
4	Red	380-415	50 and 60	363BS6W	2CMA167350R1000	1	1.30
4	Black	480-500	50 and 60	363BS7W	2CMA167352R1000	1	1.30
4	Blue	200-250	50 and 60	363BS9W	2CMA167354R1000	1	1.30
4	Red	440-460	60	363BS11W	2CMA167356R1000	1	1.30
<b>3P+N+E</b>							
5	Grey		AC	463BS1W	2CMA167370R1000	1	1.40
5	Yellow	100-130	50 and 60	463BS4W	2CMA167360R1000	1	1.40
5	Red	346-415	50 and 60	463BS6W *	2CMA167362R1000	1	1.40
5	Black	480-500	50 and 60	463BS7W	2CMA167364R1000	1	1.40
5	Blue	208-250	50 and 60	463BS9W	2CMA167366R1000	1	1.40
5	Red	440-460	60	463BS11W	2CMA167368R1000	1	1.40



## 125 A, IP67 Watertight

Plastic enclosure (PBT)

Cable entry Ø 50 mm. Cable area 16-70 mm<sup>2</sup>



Terminals/ poles	Color code	Voltage V	Frequency Hz	Type	Order code	Pack	Weight kg/ea
<b>2P+E</b>							
3	Grey		AC	2125BS1W	2CMA167278R1000	1	4.00
3	Yellow	100-130	50 and 60	2125BS4W	2CMA167274R1000	1	4.00
3	Blue	200-250	50 and 60	2125BS6W	2CMA167276R1000	1	4.00
<b>3P+E</b>							
4	Grey		AC	3125BS1W	2CMA167290R1000	1	4.10
4	Yellow	100-130	50 and 60	3125BS4W	2CMA167280R1000	1	4.10
4	Red	380-415	50 and 60	3125BS6W	2CMA167282R1000	1	4.10
4	Black	480-500	50 and 60	3125BS7W	2CMA167284R1000	1	4.10
4	Blue	200-250	50 and 60	3125BS9W	2CMA167286R1000	1	4.10
4	Red	440-460	60	3125BS11W	2CMA167288R1000	1	4.10
<b>3P+N+E</b>							
5	Grey		AC	4125BS1W	2CMA167302R1000	1	4.25
5	Yellow	100-130	50 and 60	4125BS4W	2CMA167292R1000	1	4.25
5	Red	346-415	50 and 60	4125BS6W *	2CMA167294R1000	1	4.25
5	Black	480-500	50 and 60	4125BS7W	2CMA167296R1000	1	4.25
5	Blue	208-250	50 and 60	4125BS9W	2CMA167298R1000	1	4.25
5	Red	440-460	60	4125BS11W	2CMA167300R1000	1	4.25

\*) Indicates standard product.

- Accessories .....page 70
- Technical data.....page 83
- Dimensions.....page 81

# Panel mounted socket outlets

## Minimized straight flange



### 16 A, IP44 Splashproof

Plastic enclosure (PA). Cable area 1.5-4 mm<sup>2</sup>



Terminals/ poles	Color code	Voltage V	Frequency Hz	Type	Order code	Pack	Weight kg/ea
<b>2P+E</b>							
3	Yellow	100-130	50 and 60	216R4 *	2CMA193145R1000	10	0.14
3	Blue	200-250	50 and 60	216R6 *	2CMA193146R1000	10	0.14
<b>3P+E</b>							
4	Yellow	100-130	50 and 60	316R4	2CMA193152R1000	10	0.17
4	Black	600-690	50 and 60	316R5	2CMA193153R1000	10	0.17
4	Red	380-415	50 and 60	316R6 *	2CMA193154R1000	10	0.17
4	Black	480-500	50 and 60	316R7 *	2CMA193155R1000	10	0.17
4	Blue	200-250	50 and 60	316R9	2CMA193156R1000	10	0.17
4	Red	440-460	60	316R11 *	2CMA193158R1000	10	0.17
<b>3P+N+E</b>							
5	Red	346-415	50 and 60	416R6 *	2CMA193163R1000	10	0.19

\*) Indicates standard product.

- Accessories .....page 70
- Technical data.....page 83
- Dimensions.....page 89

# Panel mounted socket outlets

## Unified straight flange



### 16 A, IP44 Splashproof

Plastic enclosure (PA). Cable area 1.5-4 mm<sup>2</sup>



Terminals/ poles	Color code	Voltage V	Frequency Hz	Type	Order code	Pack	Weight kg/ea
<b>2P+E</b>							
3	Yellow	100-130	50 and 60	216RU4	2CMA193169R1000	10	0.15
3	Blue	200-250	50 and 60	216RU6 *	2CMA193170R1000	10	0.15
<b>3P+E</b>							
4	Yellow	100-130	50 and 60	316RU4	2CMA193176R1000	10	0.18
4	Black	600-690	50 and 60	316RU5	2CMA193177R1000	10	0.18
4	Red	380-415	50 and 60	316RU6 *	2CMA193178R1000	10	0.18
4	Black	480-500	50 and 60	316RU7	2CMA193179R1000	10	0.18
4	Blue	200-250	50 and 60	316RU9 *	2CMA193180R1000	10	0.18
4	Red	440-460	60	316RU11	2CMA193182R1000	10	0.18
<b>3P+N+E</b>							
5	Red	346-415	50 and 60	416RU6 *	2CMA193187R1000	10	0.20



### 32 A, IP44 Splashproof

Plastic enclosure (PA). Cable area 2.5-10 mm<sup>2</sup>



Terminals/ poles	Color code	Voltage V	Frequency Hz	Type	Order code	Pack	Weight kg/ea
<b>2P+E</b>							
3	Yellow	100-130	50 and 60	232RU4 *	2CMA193241R1000	10	0.21
3	Blue	200-250	50 and 60	232RU6 *	2CMA193242R1000	10	0.21
<b>3P+E</b>							
4	Black	600-690	50 and 60	332RU5	2CMA193249R1000	10	0.22
4	Red	380-415	50 and 60	332RU6 *	2CMA193250R1000	10	0.22
4	Black	480-500	50 and 60	332RU7	2CMA193251R1000	10	0.22
4	Blue	200-250	50 and 60	332RU9 *	2CMA193252R1000	10	0.22
<b>3P+N+E</b>							
5	Red	346-415	50 and 60	432RU6 *	2CMA193259R1000	10	0.24



### 63 A, IP44 Splashproof

Plastic enclosure (PBT). Cable area 6-25 mm<sup>2</sup>



Terminals/ poles	Color code	Voltage V	Frequency Hz	Type	Order code	Pack	Weight kg/ea
<b>2P+E</b>							
3	Yellow	100-130	50 and 60	263RU4	2CMA167508R1000	1	0.60
3	Blue	200-250	50 and 60	263RU6	2CMA167510R1000	1	0.60
<b>3P+E</b>							
4	Black	600-690	50 and 60	363RU5	2CMA167518R1000	1	0.69
4	Red	380-415	50 and 60	363RU6	2CMA167520R1000	1	0.69
4	Black	480-500	50 and 60	363RU7	2CMA167522R1000	1	0.69
4	Blue	200-250	50 and 60	363RU9	2CMA167524R1000	1	0.69
<b>3P+N+E</b>							
5	Red	346-415	50 and 60	463RU6 *	2CMA167532R1000	1	0.76

\* Indicates standard product.

- Accessories .....page 70
- Technical data.....page 83
- Dimensions.....page 89

# Panel mounted socket outlets

## Unified straight flange



### 63 A, IP67 Watertight

Plastic enclosure (PBT)

Cable area 6-25 mm<sup>2</sup>



Terminals/ poles	Color code	Voltage V	Frequency Hz	Type	Order code	Pack	Weight kg/ea
<b>2P+E</b>							
3	Grey		AC	263RU1W	2CMA167378R1000	1	0.64
3	Yellow	100-130	50 and 60	263RU4W	2CMA167372R1000	1	0.64
3	Blue	200-250	50 and 60	263RU6W	2CMA167374R1000	1	0.64
3	Red	380-415	50 and 60	263RU9W	2CMA167376R1000	1	0.64
<b>3P+E</b>							
4	Grey		AC	363RU1W	2CMA167392R1000	1	0.69
4	Yellow	100-130	50 and 60	363RU4W	2CMA167380R1000	1	0.69
4	Black	600-690	50 and 60	363RU5W	2CMA167382R1000	1	0.69
4	Red	380-415	50 and 60	363RU6W *	2CMA167384R1000	1	0.69
4	Black	480-500	50 and 60	363RU7W	2CMA167386R1000	1	0.69
4	Blue	200-250	50 and 60	363RU9W	2CMA167388R1000	1	0.69
4	Red	440-460	60	363RU11W	2CMA167390R1000	1	0.69
<b>3P+N+E</b>							
5	Grey		AC	463RU1W	2CMA167404R1000	1	0.76
5	Yellow	100-130	50 and 60	463RU4W	2CMA167394R1000	1	0.76
5	Red	346-415	50 and 60	463RU6W	2CMA167396R1000	1	0.76
5	Black	480-500	50 and 60	463RU7W	2CMA167398R1000	1	0.76
5	Blue	208-250	50 and 60	463RU9W	2CMA167400R1000	1	0.76
5	Red	440-460	60	463RU11W	2CMA167402R1000	1	0.76



### 125 A, IP67 Watertight

Plastic enclosure (PBT). LP types with long phase sleeves and pilot sleeve.

Cable area 16-70 mm<sup>2</sup>



Terminals/ poles	Color code	Voltage V	Frequency Hz	Type	Order code	Pack	Weight kg/ea
<b>2P+E</b>							
3	Grey		AC	2125RU1W	2CMA167134R1000	1	0.85
3	Yellow	100-130	50 and 60	2125RU4W	2CMA167132R1000	1	0.85
3	Blue	200-250	50 and 60	2125RU6W *	2CMA167133R1000	1	0.85
3	Blue	200-250	50 and 60	2125RU6W LP	2CMA192729R1000	1	0.85
<b>3P+E</b>							
4	Grey		AC	3125RU1W	2CMA167140R1000	1	1.00
4	Yellow	100-130	50 and 60	3125RU4W	2CMA167135R1000	1	1.00
4	Red	380-415	50 and 60	3125RU6W	2CMA167136R1000	1	1.00
4	Red	380-415	50 and 60	3125RU6W LP	2CMA192730R1000	1	1.00
4	Black	480-500	50 and 60	3125RU7W	2CMA167137R1000	1	1.00
4	Blue	200-250	50 and 60	3125RU9W	2CMA167138R1000	1	1.00
4	Red	440-460	60	3125RU11W	2CMA167139R1000	1	1.00
<b>3P+N+E</b>							
5	Grey		AC	4125RU1W	2CMA167146R1000	1	1.14
5	Yellow	100-130	50 and 60	4125RU4W	2CMA167141R1000	1	1.14
5	Red	346-415	50 and 60	4125RU6W *	2CMA167142R1000	1	1.14
5	Red	346-415	50 and 60	4125RU6W LP	2CMA169213R1000	1	1.14
5	Black	480-500	50 and 60	4125RU7W *	2CMA167143R1000	1	1.14
5	Blue	208-250	50 and 60	4125RU9W	2CMA167144R1000	1	1.14
5	Red	440-460	60	4125RU11W	2CMA167145R1000	1	1.14

\*1) Indicates standard product.  
- Delivered with flange gasket.

- Accessories .....page 70
- Technical data.....page 83
- Dimensions.....page 89

# Panel mounted socket outlets

## Minimized angled flange



### 16 A, IP44 Splashproof

Plastic enclosure (PA)

Cable area 1.5-4 mm<sup>2</sup>



Terminals/ poles	Color code	Voltage V	Frequency Hz	Type	Order code	Pack	Weight kg/ea
<b>2P+E</b>							
3	Yellow	100-130	50 and 60	216RAM4	2CMA170003R1000	10	0.21
3	Blue	200-250	50 and 60	216RAM6 *	2CMA170004R1000	10	0.21
<b>3P+E</b>							
4	Yellow	100-130	50 and 60	316RAM4	2CMA170010R1000	10	0.22
4	Black	600-690	50 and 60	316RAM5	2CMA170011R1000	10	0.22
4	Red	380-415	50 and 60	316RAM6 *	2CMA170012R1000	10	0.22
4	Black	480-500	50 and 60	316RAM7	2CMA170013R1000	10	0.22
4	Blue	200-250	50 and 60	316RAM9	2CMA170014R1000	10	0.22
4	Red	440-460	60	316RAM11	2CMA170016R1000	10	0.22
<b>3P+N+E</b>							
5	Red	346-415	50 and 60	416RAM6 *	2CMA170021R1000	10	0.24



### 32 A, IP44 Splashproof

Plastic enclosure (PA)

Cable area 2.5-10 mm<sup>2</sup>



Terminals/ poles	Color code	Voltage V	Frequency Hz	Type	Order code	Pack	Weight kg/ea
<b>2P+E</b>							
3	Yellow	100-130	50 and 60	232RAM4	2CMA170026R1000	10	0.21
3	Blue	200-250	50 and 60	232RAM6	2CMA170027R1000	10	0.21
<b>3P+E</b>							
4	Black	600-690	50 and 60	332RAM5	2CMA170034R1000	10	0.22
4	Red	380-415	50 and 60	332RAM6	2CMA170035R1000	10	0.22
4	Black	480-500	50 and 60	332RAM7	2CMA170036R1000	10	0.22
4	Blue	200-250	50 and 60	332RAM9	2CMA170037R1000	10	0.22
<b>3P+N+E</b>							
5	Red	346-415	50 and 60	432RAM6 *	2CMA170044R1000	10	0.24

\*) Indicates standard product.

- Accessories .....page 70
- Technical data.....page 83
- Dimensions.....page 89

# Panel mounted socket outlets

## Unified angled flange



### 16 A, IP44 Splashproof

Plastic enclosure (PA). Cable area 1.5-4 mm<sup>2</sup>



Terminals/ poles	Color code	Voltage V	Frequency Hz	Type	Order code	Pack	Weight kg/ea
<b>2P+</b>							
3	Yellow	100-130	50 and 60	216RAU4	2CMA193217R1000	10	0.19
3	Blue	200-250	50 and 60	216RAU6 *	2CMA193218R1000	10	0.19
<b>3P+E</b>							
4	Yellow	100-130	50 and 60	316RAU4	2CMA193224R1000	10	0.22
4	Black	600-690	50 and 60	316RAU5	2CMA193225R1000	10	0.22
4	Red	380-415	50 and 60	316RAU6 *	2CMA193226R1000	10	0.22
4	Black	480-500	50 and 60	316RAU7	2CMA193227R1000	10	0.22
4	Blue	200-250	50 and 60	316RAU9	2CMA193228R1000	10	0.22
4	Red	440-460	60	316RAU11	2CMA193230R1000	10	0.22
<b>3P+N+E</b>							
5	Red	346-415	50 and 60	416RAU6 *	2CMA193235R1000	10	0.24



### 32 A, IP44 Splashproof

Plastic enclosure (PA). Cable area 2.5-10 mm<sup>2</sup>



Terminals/ poles	Color code	Voltage V	Frequency Hz	Type	Order code	Pack	Weight kg/ea
<b>2P+E</b>							
3	Yellow	100-130	50 and 60	232RAU4	2CMA193265R1000	10	0.25
3	Blue	200-250	50 and 60	232RAU6 *	2CMA193266R1000	10	0.25
<b>3P+E</b>							
4	Black	600-690	50 and 60	332RAU5	2CMA193273R1000	10	0.26
4	Red	380-415	50 and 60	332RAU6 *	2CMA193274R1000	10	0.26
4	Black	480-500	50 and 60	332RAU7	2CMA193275R1000	10	0.26
4	Blue	200-250	50 and 60	332RAU9	2CMA193276R1000	10	0.26
<b>3P+N+E</b>							
5	Red	346-415	50 and 60	432RAU6 *	2CMA193283R1000	10	0.28



### 63 A, IP44 Splashproof

Plastic enclosure (PBT). Cable area 6-25 mm<sup>2</sup>



Terminals/ poles	Color code	Voltage V	Frequency Hz	Type	Order code	Pack	Weight kg/ea
<b>2P+E</b>							
3	Yellow	100-130	50 and 60	263RAU4	2CMA167406R1000	1	0.60
3	Blue	200-250	50 and 60	263RAU6	2CMA167408R1000	1	0.60
<b>3P+E</b>							
4	Black	600-690	50 and 60	363RAU5	2CMA167416R1000	1	0.63
4	Red	380-415	50 and 60	363RAU6	2CMA167418R1000	1	0.63
4	Black	480-500	50 and 60	363RAU7	2CMA167420R1000	1	0.63
4	Blue	200-250	50 and 60	363RAU9	2CMA167422R1000	1	0.63
<b>3P+N+E</b>							
5	Red	346-415	50 and 60	463RAU6 *	2CMA167430R1000	1	0.69

\*) Indicates standard product.

- Accessories ..... page 70
- Technical data ..... page 83
- Dimensions ..... page 90

# Panel mounted socket outlets

## Unified angled flange



### 16 A, IP67 Watertight Plastic enclosure (PBT). Cable area 1.5-4 mm<sup>2</sup>



Terminals/ poles	Color code	Voltage V	Frequency Hz	Type	Order code	Pack	Weight kg/ea
<b>2P+E</b>							
3	Grey		AC	216RAU1W	2CMA167002R1000	1	0.12
3	Grey	>50-250	DC	216RAU3W	2CMA166992R1000	1	0.12
3	Yellow	100-130	50 and 60	216RAU4W *	2CMA166994R1000	1	0.12
3	Blue	200-250	50 and 60	216RAU6W *	2CMA166996R1000	1	0.12
3	Red	380-415	50 and 60	216RAU9W	2CMA166998R1000	1	0.12
3	Grey	transf	50 and 60	216RAU12W	2CMA167000R1000	1	0.12
<b>3P+E</b>							
4	Grey		AC	316RAU1W	2CMA167022R1000	1	0.15
4	Green	>50	>300-500	316RAU2W	2CMA167004R1000	1	0.15
4	Red	380/440	50/60	316RAU3W	2CMA167006R1000	1	0.15
4	Yellow	100-130	50 and 60	316RAU4W	2CMA167008R1000	1	0.15
4	Black	600-690	50 and 60	316RAU5W	2CMA167010R1000	1	0.15
4	Red	380-415	50 and 60	316RAU6W *	2CMA167012R1000	1	0.15
4	Black	480-500	50 and 60	316RAU7W	2CMA167014R1000	1	0.15
4	Blue	200-250	50 and 60	316RAU9W	2CMA167016R1000	1	0.15
4	Green	>50	100-300	316RAU10W	2CMA167018R1000	1	0.15
4	Red	440-460	60	316RAU11W	2CMA167020R1000	1	0.15
<b>3P+N+E</b>							
5	Grey		AC	416RAU1W	2CMA167038R1000	1	0.18
5	Green	>50	>300-500	416RAU2W	2CMA167024R1000	1	0.18
5	Red	380/440	50/60	416RAU3W	2CMA167026R1000	1	0.18
5	Yellow	100-130	50 and 60	416RAU4W	2CMA167028R1000	1	0.18
5	Red	346-415	50 and 60	416RAU6W *	2CMA167030R1000	1	0.18
5	Black	480-500	50 and 60	416RAU7W	2CMA167032R1000	1	0.18
5	Blue	208-250	50 and 60	416RAU9W	2CMA167034R1000	1	0.18
5	Red	440-460	60	416RAU11W *	2CMA167036R1000	1	0.18

### 32 A, IP67 Watertight Plastic enclosure (PBT). Cable area 2.5-10 mm<sup>2</sup>



Terminals/ poles	Color code	Voltage V	Frequency Hz	Type	Order code	Pack	Weight kg/ea
<b>2P+E</b>							
3	Grey		AC	232RAU1W	2CMA166954R1000	1	0.19
3	Yellow	100-130	50 and 60	232RAU4W	2CMA166946R1000	1	0.19
3	Blue	200-250	50 and 60	232RAU6W *	2CMA166948R1000	1	0.19
3	Red	380-415	50 and 60	232RAU9W	2CMA166950R1000	1	0.19
3	Grey	transf	50 and 60	232RAU12W	2CMA166952R1000	1	0.19
<b>3P+E</b>							
4	Grey		AC	332RAU1W	2CMA166974R1000	1	0.21
4	Green	>50	>300-500	332RAU2W	2CMA166956R1000	1	0.21
4	Red	380/440	50/60	332RAU3W	2CMA166958R1000	1	0.21
4	Yellow	100-130	50 and 60	332RAU4W	2CMA166960R1000	1	0.21
4	Black	600-690	50 and 60	332RAU5W	2CMA166962R1000	1	0.21
4	Red	380-415	50 and 60	332RAU6W *	2CMA166964R1000	1	0.21
4	Black	480-500	50 and 60	332RAU7W	2CMA166966R1000	1	0.21
4	Blue	200-250	50 and 60	332RAU9W	2CMA166968R1000	1	0.21
4	Green	>50	100-300	332RAU10W	2CMA166970R1000	1	0.21
4	Red	440-460	60	332RAU11W	2CMA166972R1000	1	0.21
<b>3P+N+E</b>							
5	Grey		AC	432RAU1W	2CMA166990R1000	1	0.26
5	Green	>50	>300-500	432RAU2W	2CMA166976R1000	1	0.26
5	Red	380/440	50/60	432RAU3W	2CMA166978R1000	1	0.26
5	Yellow	100-130	50 and 60	432RAU4W	2CMA166980R1000	1	0.26
5	Red	346-415	50 and 60	432RAU6W *	2CMA166982R1000	1	0.26
5	Black	480-500	50 and 60	432RAU7W *	2CMA166984R1000	1	0.26
5	Blue	208-250	50 and 60	432RAU9W	2CMA166986R1000	1	0.26
5	Red	440-460	60	432RAU11W	2CMA166988R1000	1	0.26

\*) Indicates standard product.  
- Delivered with flange gasket.

- Accessories ..... page 70
- Technical data..... page 83
- Dimensions..... page 90



# Panel mounted socket outlets

## Unified angled flange



### 63 A, IP67 Watertight

Plastic enclosure (PBT). Cable area 6-25 mm<sup>2</sup>



Terminals/ poles	Color code	Voltage V	Frequency Hz	Type	Order code	Pack	Weight kg/ea
<b>2P+E</b>							
3	Grey		AC	263RAU1W	2CMA167446R1000	1	0.60
3	Yellow	100-130	50 and 60	263RAU4W	2CMA167440R1000	1	0.60
3	Blue	200-250	50 and 60	263RAU6W	2CMA167442R1000	1	0.60
3	Red	380-415	50 and 60	263RAU9W	2CMA167444R1000	1	0.60
<b>3P+E</b>							
4	Grey		AC	363RAU1W	2CMA167460R1000	1	0.63
4	Yellow	100-130	50 and 60	363RAU4W	2CMA167448R1000	1	0.63
4	Black	600-690	50 and 60	363RAU5W	2CMA167450R1000	1	0.63
4	Red	380-415	50 and 60	363RAU6W	2CMA167452R1000	1	0.63
4	Black	480-500	50 and 60	363RAU7W	2CMA167454R1000	1	0.63
4	Blue	200-250	50 and 60	363RAU9W	2CMA167456R1000	1	0.63
4	Red	440-460	60	363RAU11W	2CMA167458R1000	1	0.63
<b>3P+N+E</b>							
5	Grey		AC	463RAU1W	2CMA167472R1000	1	0.69
5	Yellow	100-130	50 and 60	463RAU4W	2CMA167462R1000	1	0.69
5	Red	346-415	50 and 60	463RAU6W *	2CMA167464R1000	1	0.69
5	Black	480-500	50 and 60	463RAU7W	2CMA167466R1000	1	0.69
5	Blue	208-250	50 and 60	463RAU9W	2CMA167468R1000	1	0.69
5	Red	440-460	60	463RAU11W	2CMA167470R1000	1	0.69

\*) Indicates standard product.  
- Delivered with flange gasket.

- Accessories .....page 70
- Technical data.....page 83
- Dimensions.....page 90

# Panel mounted socket inlets

## Straight flange



### 16 A, IP44 Splashproof

Plastic enclosure (PA). Cable area 1.5-4 mm<sup>2</sup>



Terminals/ poles	Color code	Voltage V	Frequency Hz	Type	Order code	Pack	Weight kg/ea
<b>2P+E</b>							
3	Blue	200-250	50 and 60	216B6 *	2CMA193338R1000	10	0.10
<b>3P+E</b>							
4	Black	600-690	50 and 60	316B5	2CMA193345R1000	10	0.13
4	Red	380-415	50 and 60	316B6	2CMA193346R1000	10	0.13
4	Blue	200-250	50 and 60	316B9	2CMA193348R1000	10	0.13
<b>3P+N+E</b>							
5	Red	346-415	50 and 60	416B6 *	2CMA193355R1000	10	0.14



### 16 A, IP44 Splashproof

Plastic enclosure (PA). Cable area 1.5-4 mm<sup>2</sup>



Terminals/ poles	Color code	Voltage V	Frequency Hz	Type	Order code	Pack	Weight kg/ea
<b>3P+N+E</b>							
5	Red	346-415	50 and 60	416BU6 *	2CMA193468R1000	10	0.14

### 32 A, IP44 Splashproof

Plastic enclosure (PA). Cable area 2.5-10 mm<sup>2</sup>



Terminals/ poles	Color code	Voltage V	Frequency Hz	Type	Order code	Pack	Weight kg/ea
<b>2P+E</b>							
3	Blue	200-250	50 and 60	232BU6 *	2CMA193434R1000	10	0.15
<b>3P+E</b>							
4	Black	600-690	50 and 60	332BU5	2CMA193441R1000	10	0.17
4	Red	380-415	50 and 60	332BU6 *	2CMA193442R1000	10	0.17
4	Blue	200-250	50 and 60	332BU9	2CMA193444R1000	10	0.17
<b>3P+N+E</b>							
5	Red	346-415	50 and 60	432BU6 *	2CMA193451R1000	10	0.19



### 63 A, IP44 Splashproof

Plastic enclosure (PBT). Cable area 6-25 mm<sup>2</sup>



Terminals/ poles	Color code	Voltage V	Frequency Hz	Type	Order code	Pack	Weight kg/ea
<b>2P+E</b>							
3	Blue	200-250	50 and 60	263BU6	2CMA167212R1000	1	0.50
<b>3P+E</b>							
4	Black	600-690	50 and 60	363BU5	2CMA167220R1000	1	0.55
4	Red	380-415	50 and 60	363BU6	2CMA167222R1000	1	0.55
4	Blue	200-250	50 and 60	363BU9	2CMA167226R1000	1	0.55
<b>3P+N+E</b>							
5	Red	346-415	50 and 60	463BU6 *	2CMA167234R1000	1	0.60

\*) Indicates standard product.

- Accessories .....page 70
- Technical data.....page 83
- Dimensions.....page 92

# Panel mounted socket inlets

## Straight flange



### 63 A, IP67 Watertight Plastic enclosure (PBT). Cable area 6-25 mm<sup>2</sup>



Terminals/ poles	Color code	Voltage V	Frequency Hz	Type	Order code	Pack	Weight kg/ea
<b>2P+E</b>							
3	Grey		AC	263BU1W	2CMA168106R1000	1	0.50
3	Yellow	100-130	50 and 60	263BU4W	2CMA168103R1000	1	0.50
3	Blue	200-250	50 and 60	263BU6W	2CMA168104R1000	1	0.50
3	Red	380-415	50 and 60	263BU9W	2CMA168105R1000	1	0.50
<b>3P+E</b>							
4	Grey		AC	363BU1W	2CMA168113R1000	1	0.55
4	Yellow	100-130	50 and 60	363BU4W	2CMA168107R1000	1	0.55
4	Black	600-690	50 and 60	363BU5W	2CMA168108R1000	1	0.55
4	Red	380-415	50 and 60	363BU6W	2CMA168109R1000	1	0.55
4	Black	480-500	50 and 60	363BU7W	2CMA168110R1000	1	0.55
4	Blue	200-250	50 and 60	363BU9W	2CMA168111R1000	1	0.55
4	Red	440-460	60	363BU11W	2CMA168112R1000	1	0.55
<b>3P+N+E</b>							
5	Grey		AC	463BU1W	2CMA168119R1000	1	0.60
5	Yellow	100-130	50 and 60	463BU4W	2CMA168114R1000	1	0.60
5	Red	346-415	50 and 60	463BU6W	2CMA168115R1000	1	0.60
5	Black	480-500	50 and 60	463BU7W	2CMA168116R1000	1	0.60
5	Blue	208-250	50 and 60	463BU9W	2CMA168117R1000	1	0.60
5	Red	440-460	60	463BU11W	2CMA168118R1000	1	0.60



### 125 A, IP67 Watertight Plastic enclosure (PBT). Cable area 16-70 mm<sup>2</sup>



Terminals/ poles	Color code	Voltage V	Frequency Hz	Type	Order code	Pack	Weight kg/ea
<b>2P+E</b>							
3	Grey		AC	2125BU1W	2CMA167196R1000	1	0.78
3	Yellow	100-130	50 and 60	2125BU4W	2CMA167194R1000	1	0.78
3	Blue	200-250	50 and 60	2125BU6W	2CMA167195R1000	1	0.78
<b>3P+E</b>							
4	Grey		AC	3125BU1W	2CMA167202R1000	1	0.84
4	Yellow	100-130	50 and 60	3125BU4W	2CMA167197R1000	1	0.84
4	Red	380-415	50 and 60	3125BU6W	2CMA167198R1000	1	0.84
4	Black	480-500	50 and 60	3125BU7W	2CMA167199R1000	1	0.84
4	Blue	200-250	50 and 60	3125BU9W	2CMA167200R1000	1	0.84
4	Red	440-460	60	3125BU11W	2CMA167201R1000	1	0.84
<b>3P+N+E</b>							
5	Grey		AC	4125BU1W	2CMA167208R1000	1	0.96
5	Yellow	100-130	50 and 60	4125BU4W	2CMA167203R1000	1	0.96
5	Red	346-415	50 and 60	4125BU6W *	2CMA167204R1000	1	0.96
5	Black	480-500	50 and 60	4125BU7W	2CMA167205R1000	1	0.96
5	Blue	208-250	50 and 60	4125BU9W	2CMA167206R1000	1	0.96
5	Red	440-460	60	4125BU11W	2CMA167207R1000	1	0.96

\*) Indicates standard product.  
- Delivered with flange gasket.

- Accessories ..... page 70
- Technical data ..... page 83
- Dimensions ..... page 92

# Panel mounted socket inlets

## Angled flange



### 16 A, IP67 Watertight Plastic enclosure (PBT). Cable area 1.5-4 mm<sup>2</sup>



Terminals/ poles	Color code	Voltage V	Frequency Hz	Type	Order code	Pack	Weight kg/ea
<b>2P+E</b>							
3	Grey		AC	216BAU1W	2CMA166684R1000	1	0.14
3	Grey	>50-250	DC	216BAU3W	2CMA166674R1000	1	0.14
3	Yellow	100-130	50 and 60	216BAU4W *	2CMA166676R1000	1	0.14
3	Blue	200-250	50 and 60	216BAU6W *	2CMA166678R1000	1	0.14
3	Red	380-415	50 and 60	216BAU9W	2CMA166680R1000	1	0.14
3	Grey	transf	50 and 60	216BAU12W	2CMA166682R1000	1	0.14
<b>3P+E</b>							
4	Grey		AC	316BAU1W	2CMA166704R1000	1	0.19
4	Green	>50	>300-500	316BAU2W	2CMA166686R1000	1	0.19
4	Red	380/440	50/60	316BAU3W	2CMA166688R1000	1	0.19
4	Yellow	100-130	50 and 60	316BAU4W	2CMA166690R1000	1	0.19
4	Black	600-690	50 and 60	316BAU5W	2CMA166692R1000	1	0.19
4	Red	380-415	50 and 60	316BAU6W	2CMA166694R1000	1	0.19
4	Black	480-500	50 and 60	316BAU7W	2CMA166696R1000	1	0.19
4	Blue	200-250	50 and 60	316BAU9W	2CMA166698R1000	1	0.19
4	Green	>50	100-300	316BAU10W	2CMA166700R1000	1	0.19
4	Red	440-460	60	316BAU11W	2CMA166702R1000	1	0.19
<b>3P+N+E</b>							
5	Grey		AC	416BAU1W	2CMA166720R1000	1	0.21
5	Green	>50	>300-500	416BAU2W	2CMA166706R1000	1	0.21
5	Red	380/440	50/60	416BAU3W	2CMA166708R1000	1	0.21
5	Yellow	100-130	50 and 60	416BAU4W	2CMA166710R1000	1	0.21
5	Red	346-415	50 and 60	416BAU6W *	2CMA166712R1000	1	0.21
5	Black	480-500	50 and 60	416BAU7W	2CMA166714R1000	1	0.21
5	Blue	208-250	50 and 60	416BAU9W	2CMA166716R1000	1	0.21
5	Red	440-460	60	416BAU11W	2CMA166718R1000	1	0.21



### 32 A, IP67 Watertight Plastic enclosure (PBT). Cable area 2.5-10 mm<sup>2</sup>



Terminals/ poles	Color code	Voltage V	Frequency Hz	Type	Order code	Pack	Weight kg/ea
<b>2P+E</b>							
3	Grey		AC	232BAU1W	2CMA166636R1000	1	0.22
3	Yellow	100-130	50 and 60	232BAU4W	2CMA166628R1000	1	0.22
3	Blue	200-250	50 and 60	232BAU6W	2CMA166630R1000	1	0.22
3	Red	380-415	50 and 60	232BAU9W	2CMA166632R1000	1	0.22
3	Grey	transf	50 and 60	232BAU12W	2CMA166634R1000	1	0.22
<b>3P+E</b>							
4	Grey		AC	332BAU1W	2CMA166656R1000	1	0.24
4	Green	>50	>300-500	332BAU2W	2CMA166638R1000	1	0.24
4	Red	380/440	50/60	332BAU3W	2CMA166640R1000	1	0.24
4	Yellow	100-130	50 and 60	332BAU4W	2CMA166642R1000	1	0.24
4	Black	600-690	50 and 60	332BAU5W	2CMA166644R1000	1	0.24
4	Red	380-415	50 and 60	332BAU6W	2CMA166646R1000	1	0.24
4	Black	480-500	50 and 60	332BAU7W	2CMA166648R1000	1	0.24
4	Blue	200-250	50 and 60	332BAU9W	2CMA166650R1000	1	0.24
4	Green	>50	100-300	332BAU10W	2CMA166652R1000	1	0.24
4	Red	440-460	60	332BAU11W	2CMA166654R1000	1	0.24
<b>3P+N+E</b>							
5	Grey		AC	432BAU1W	2CMA166672R1000	1	0.26
5	Green	>50	>300-500	432BAU2W	2CMA166658R1000	1	0.26
5	Red	380/440	50/60	432BAU3W	2CMA166660R1000	1	0.26
5	Yellow	100-130	50 and 60	432BAU4W	2CMA166662R1000	1	0.26
5	Red	346-415	50 and 60	432BAU6W	2CMA166664R1000	1	0.26
5	Black	480-500	50 and 60	432BAU7W	2CMA166666R1000	1	0.26
5	Blue	208-250	50 and 60	432BAU9W	2CMA166668R1000	1	0.26
5	Red	440-460	60	432BAU11W	2CMA166670R1000	1	0.26

- Accessories .....page 70
- Technical data.....page 83
- Dimensions.....page 92

\* Indicates standard product.  
- Delivered with flange gasket.

# Modular Combi



**Modular Combi is a system consisting of compact units replacing outlets, that traditionally has been scattered around the walls. Modular Combi is a cost effective system with different types of outlets, RCDs and MCBs in one location. Modular Combi is very easy to install and, thanks to the solutions and design, it saves time and money.**

The Modular Combi range consists of two lines, one product line in plastic, the other one in metal. Common for them are among other features that you only need one feeding cable, it can be mounted with an already existing 4-wire as well as 5-wire cable and that the modules are easy to modify in the future for additional needs. Modular Combi can easily be customized for special applications.

# Modular Combi Plastic



Operating voltage 230/400 V ~

Enclosure: Plastic (PBT)

Dimensions: According to table or customer order

Outlets: Combi Plastic is designed for different types of single phase domestic outlets and for IEC outlets up to and including 63 A. With or without mechanical interlocked IEC outlets.

Cable entry: 4 knock-outs at the top, suitable for 2xØ 40 mm and 2xØ 25 mm  
At the bottom 3xØ 47 mm

Cable area: 2x16 mm<sup>2</sup> Cu. Designed for looping

Covers: For MCB/RCD, maximum 13 modules, 2 opened and knock-outs for the rest of the modules row. DIN-rail in bottom for terminals and MCB/RCDs. With a distance at the bottom to allow wiring behind the rail. The lid is pad lockable.

## For 16 A, IP44 Splashproof

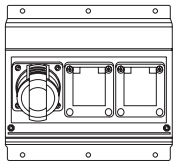


Socket outlet	RCD 30 mA	MCB	Type	Order code	Weight kg/ea
<b>Box size WxHxD: 250x170x160</b>					
2x10/16 A	-	-	MP16	2CMA168999R1000	1.7
IEC 60309, 1x16 A, 3P+N+E	-	-			
<b>Box size WxHxD: 250x300x160</b>					
2x10/16 A	-	1P	MP16/1 *	2CMA168998R1000	2.0
IEC 60309, 1x16 A, 3P+N+E	-	3P			
2x10/16 A	-	1P	MP16/1MS	2CMA168981R1000	2.6
IEC 60309, 1x16 A, 3P+N+E	-	3P			
2x10/16 A	yes	-	MPR16 *	2CMA168997R1000	2.3
IEC 60309, 1x16 A, 3P+N+E	yes	3P			
<b>Box size WxHxD: 250x430x160</b>					
4x10/16 A	-	2x1P	MP16/3 *	2CMA168996R1000	3.1
IEC 60309, 3x16 A, 3P+N+E	-	2x3P			
4x10/16 A	yes	2x3P	MPR16/3	2CMA168995R1000	3.4
IEC 60309, 3x16 A, 3P+N+E	yes	2x3P			
2x10/16 A	yes	-	MPR16MS	2CMA168980R1000	3.1
IEC 60309, 1x16 A, 3P+N+E	yes	3P			
<b>Box size WxHxD: 250x560x160</b>					
4x10/16 A	yes	2x1P	MPR16/3MS	2CMA168982R1000	4.7
IEC 60309, 3x16 A, 3P+N+E	yes	2x3P			

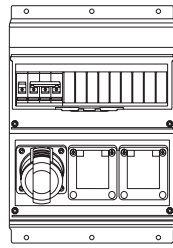
\*) Indicates standard product.

# Modular Combi Plastic

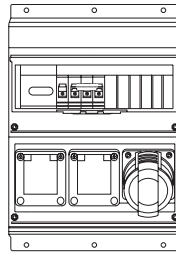
## Front pictures



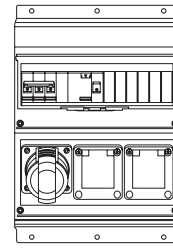
MP16



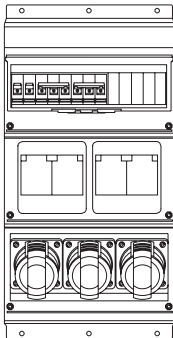
MP16/1



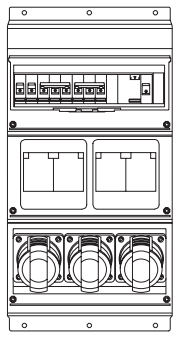
MP16/1MS



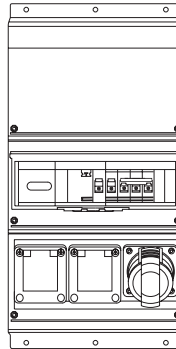
MPR16



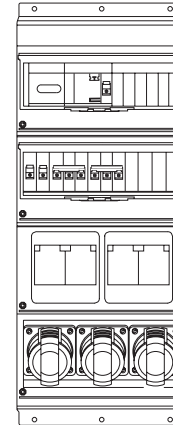
MP16/3



MPR16/3

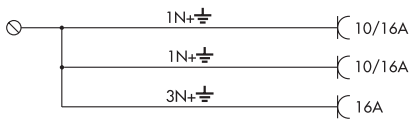


MPR16MS

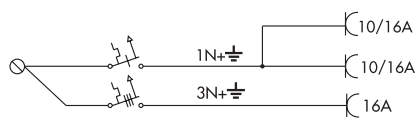


MPR16/3MS

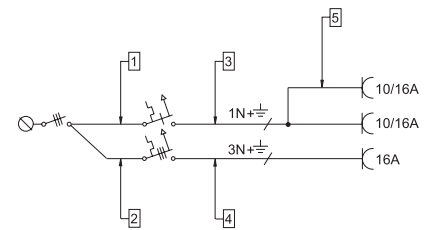
## Wiring diagrams



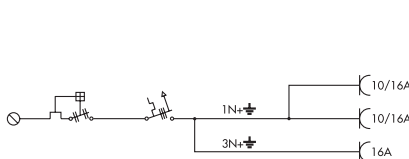
MP16



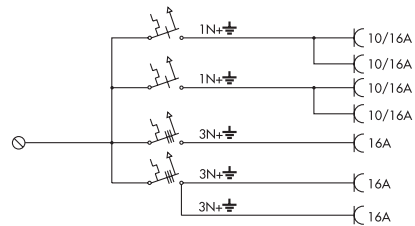
MP16/1



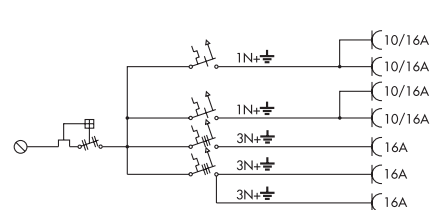
MP16/1MS



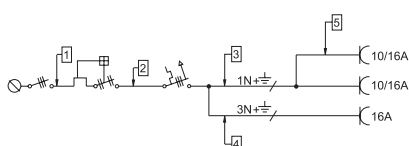
MPR16



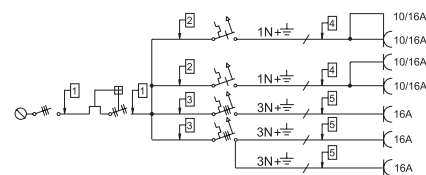
MP16/3



MPR16/3



MPR16MS



MPR16/3MS

# Modular Combi Plastic

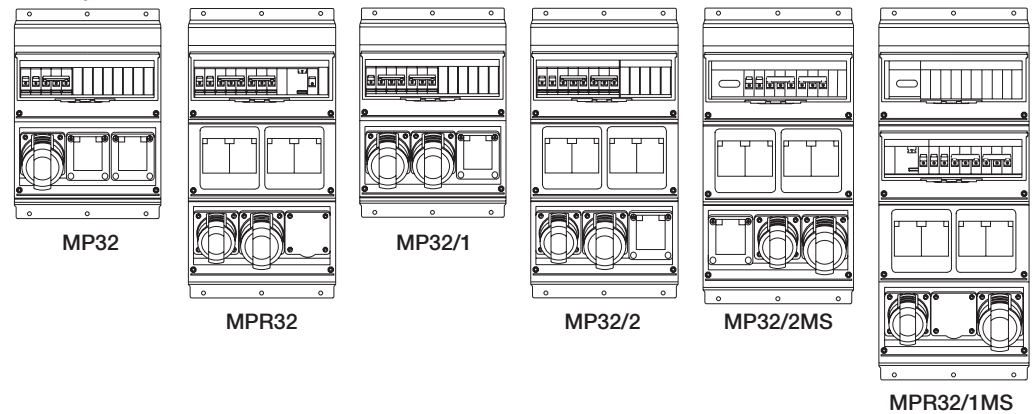


For 32 A, IP44 Splashproof

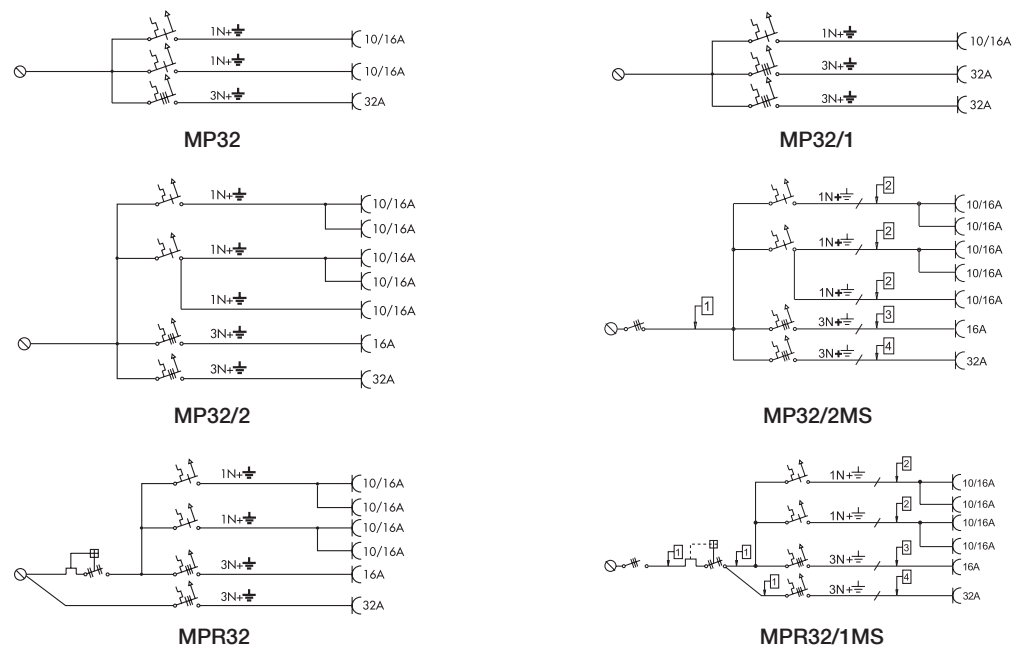
Socket outlet	RCD 30 mA	MCB	Type	Order code	Weight kg/ea
<b>Box size WxHxD: 250x300x160</b>					
2x10/16 A	-	2x1P	MP32	2CMA168994R1000	1.7
IEC 60309, 1x32 A, 3P+N+E	-	3P			
4x10/16 A	yes	2x1P	MPR32 *	2CMA168991R1000	4.0
IEC 60309, 1x16 A, 3P+N+E	yes	3P			
IEC 60309, 1x32 A, 3P+N+E	-	3P	MP32/1	2CMA168993R1000	2.6
2x10/16 A	-	1P			
IEC 60309, 1x32 A, 3P+N+E	-	2x3P			
<b>Box size WxHxD: 250x430x160</b>					
5x10/16 A	-	2x1P	MP32/2	2CMA168992R1000	3.1
IEC 60309, 1x16 A, 3P+N+E	-	3P			
IEC 60309, 1x32 A, 3P+N+E	-	3P	MP32/2MS	2CMA168983R1000	3.3
5x10/16 A	-	2x1P			
IEC 60309, 1x16 A, 3P+N+E	-	3P			
IEC 60309, 1x32 A, 3P+N+E	-	3P			
<b>Box size WxHxD: 250x560x160</b>					
4x10/16 A	yes	2x1P	MPR32/1MS	2CMA168984R1000	4.8
IEC 60309, 1x16 A, 3P+N+E	yes	3P			
IEC 60309, 1x32 A, 3P+N+E	yes	3P			

\* ) Indicates standard product.

## Front pictures



## Wiring diagrams





# Modular Combi Plastic



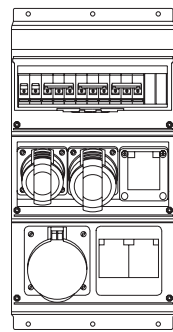
## For 63 A, IP44 Splashproof



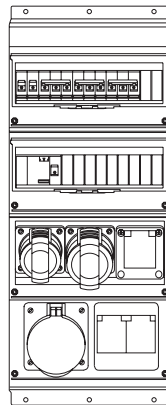
Socket outlet	RCD 30 mA	MCB	Type	Order code	Weight kg/ea
<b>Box size WxHxD: 250x430x160</b>					
3x10/16 A	-	2x1P	MP63 *	2CMA168990R1000	4.0
IEC 60309, 1x16 A, 3P+N+E	-	3P			
IEC 60309, 1x32 A, 3P+N+E	-	3P			
IEC 60309, 1x63 A, 3P+N+E	-	-			
<b>Box size WxHxD: 250x560x160</b>					
3x10/16 A	yes	2x1P	MPR63	2CMA168989R1000	5.4
IEC 60309, 1x16 A, 3P+N+E	yes	3P			
IEC 60309, 1x32 A, 3P+N+E	-	3P			
IEC 60309, 1x63 A, 3P+N+E	-	3P			
3x10/16 A	yes	2x1P	MPR63/1 *	2CMA168988R1000	5.4
IEC 60309, 1x16 A, 3P+N+E	yes	3P			
IEC 60309, 1x32 A, 3P+N+E	yes	3P			
IEC 60309, 1x63 A, 3P+N+E	yes	3P			
3x10/16 A	yes	2x1P	MPR63/1MS	2CMA168985R1000	5.7
IEC 60309, 1x16 A, 3P+N+E	yes	3P			
IEC 60309, 1x32 A, 3P+N+E	yes	3P			
IEC 60309, 1x63 A, 3P+N+E	yes	3P			

\* Indicates standard product.

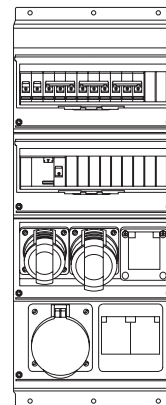
### Front pictures



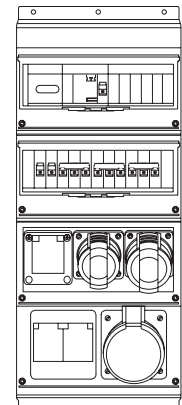
MP63



MPR63

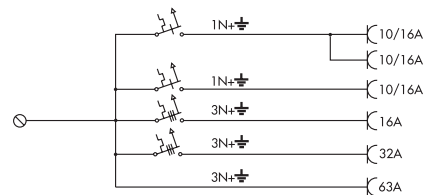


MPR63/1

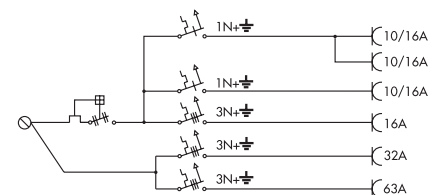


MPR63/1MS

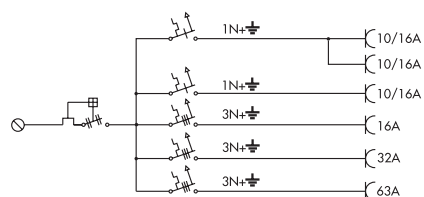
### Wiring diagrams



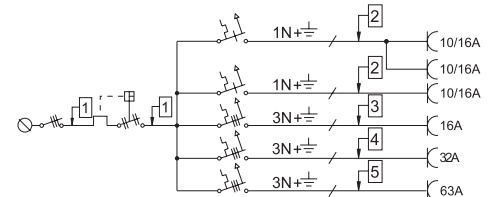
MP63



MPR63



MPR63/1



MPR63/1MS

# Modular Combi Plastic



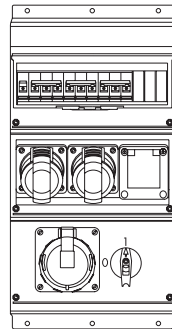
## For 32 A, IP44 Splashproof



Socket outlet	RCD 30 mA	MCB	Type	Order code	Weight kg/ea
<b>Box size WxHxD: 250x430x160</b>					
1x10/16 A	-	1P	MP32/SW1	2CMA168987R1000	4.1
IEC 60309, 2x16 A, 3P+N+E	-	2x3P			
IEC 60309, 1x32 A, 3P+N+E <sup>1)</sup>	-	3P			

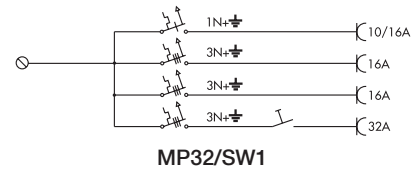
<sup>1)</sup> Mechanically interlocked

### Front picture



MP32/SW1

### Wiring diagram



# Modular Combi Metal



**Operating voltage** 230/400 V ~

**Enclosure:** Aluminium with front plates of galvanised steel.

**Dimensions:** According to table or customer order

**Outlets:** Combi Metal is designed for different types of single phase domestic outlets and for IEC outlets up to and including 63 A. With or without mechanical interlocked IEC outlets.

**Cable entry:** FL21 flange openings at top and bottom

**Cable area:** 2x16 mm<sup>2</sup> Cu. Designed for looping

**Covers:** For MCB/RCD, maximum 12 modules. DIN-rail in bottom for terminals and MCB/RCDs. With a distance at the bottom to allow wiring behind the rail. The lid is pad lockable.

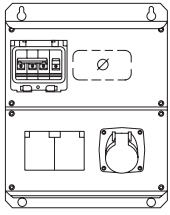
## For 16 A, IP44 Splashproof



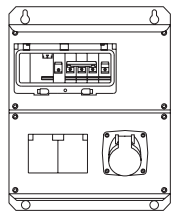
Socket outlet	RCD 30 mA	MCB	Type	Order code	Weight kg/ea
<b>Box size WxHxD: 250x314x172</b>					
2x10/16 A IEC 60309, 1x16 A, 3P+N+E	-	1P 3P	M16/1	2CMA179348R1000	3.80
2x10/16 A IEC 60309, 1x16 A, 3P+N+E	yes yes	1P 3P	M16/2JFB	2CMA179349R1000	4.55
<b>Box size WxHxD: 250x574x179</b>					
4x10/16 A IEC 60309, 1x16 A, 3P+N+E	-	2x1P 3P	M32/1	2CMA179350R1000	6.75
IEC 60309, 1x32 A, 3P+N+E	-	3P			
4x10/16 A IEC 60309, 1x16 A, 3P+N+E	yes yes	2x1P 3P	M32/2JFB	2CMA179351R1000	7.35
IEC 60309, 1x32 A, 3P+N+E	yes	3P			
<b>Box size WxHxD: 250x704x188</b>					
4x10/16 A IEC 60309, 1x16 A, 3P+N+E	-	2x1P 3P	M63/1	2CMA179352R1000	8.95
IEC 60309, 1x32 A, 3P+N+E	-	3P			
IEC 60309, 1x63 A, 3P+N+E	-	3P			
4x10/16 A IEC 60309, 1x16 A, 3P+N+E	yes yes	2x1P 3P	M63/2JFB	2CMA179353R1000	9.55
IEC 60309, 1x32 A, 3P+N+E	yes	3P			
IEC 60309, 1x63 A, 3P+N+E	yes	3P			

# Modular Combi Metal

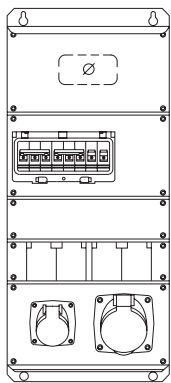
## Front pictures



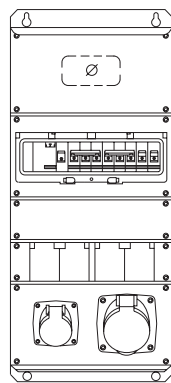
M16/1



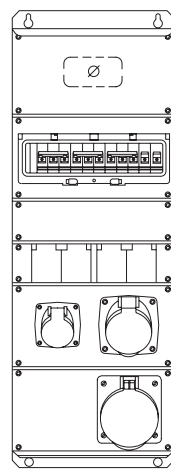
M16/2JFB



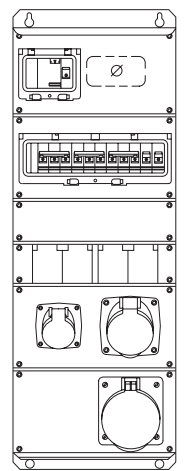
M32/1



M32/2JFB

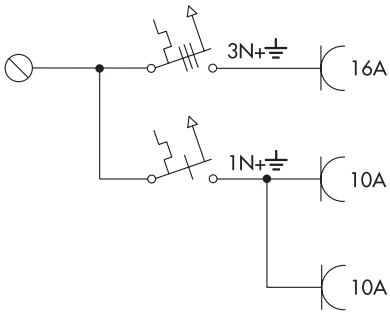


M63/1

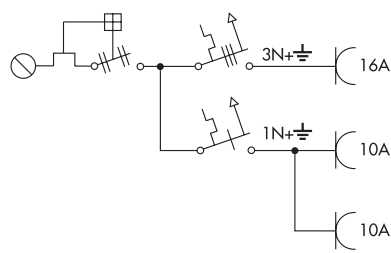


M63/2JFB

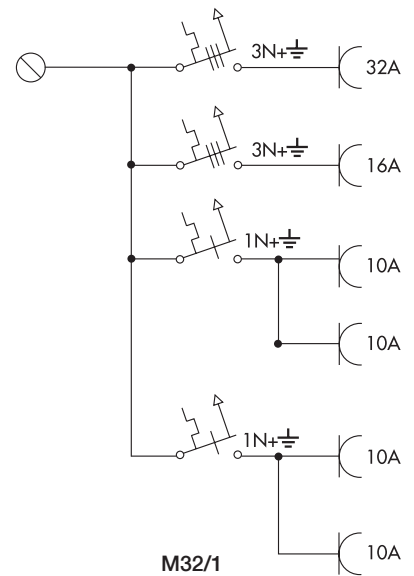
## Wiring diagrams



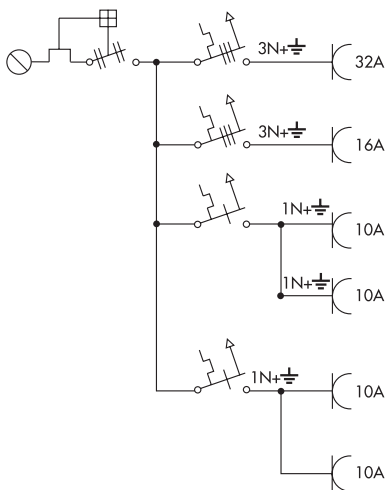
M16/1



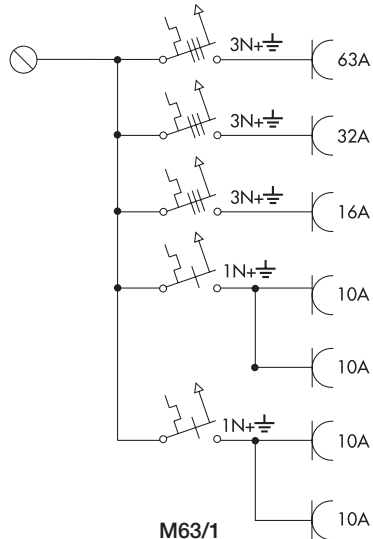
M16/2JFB



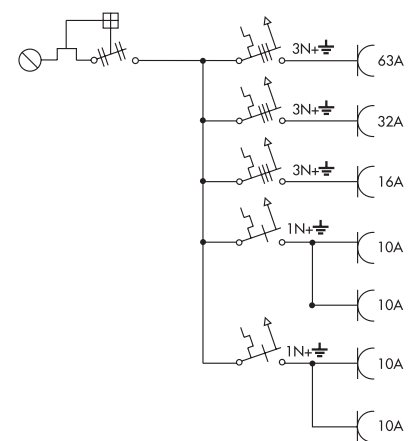
M32/1



M32/2JFB



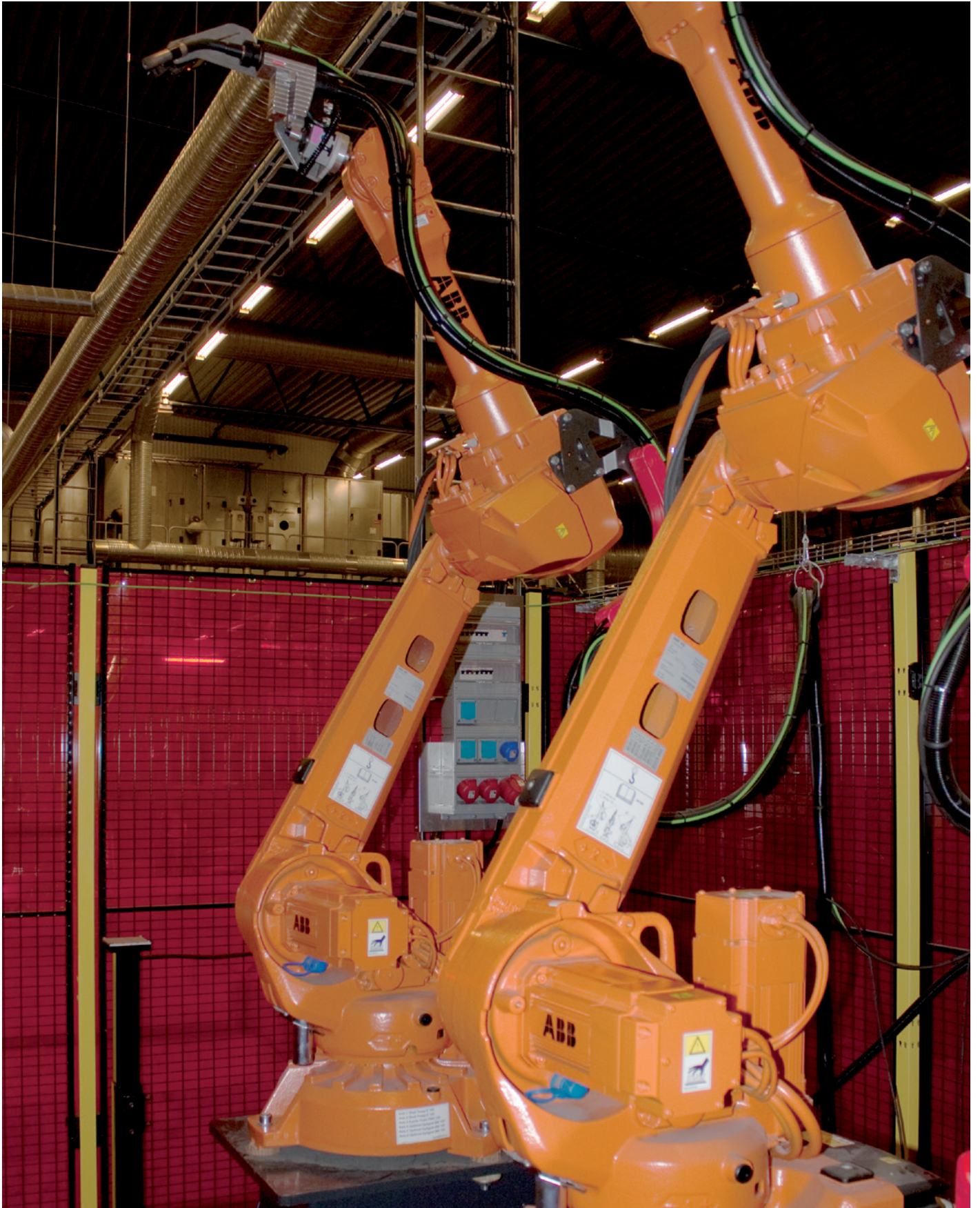
M63/1



M63/2JFB

# Modular Combi

## Application examples



## Additional products and accessories



A wide range of special products designed to give you better flexibility and connect different type of devices. Apart from adaptors and building site connections boxes there is also a section of accessories and spare parts to upgrade your existing products from ABB.

# Additional products and accessories

## Adaptors



### Three way adaptors, 16 A, IP44 Splashproof

Plastic enclosure, one inlet and three socket-outlets



Terminals/ poles	Color code	Voltage V	Frequency Hz	Type	Order code	Pack	Weight kg/ea
<b>2P+E</b>							
3	Yellow	100-130	50 and 60	216T4	2CMA168120R1000	1	0.64
3	Blue	200-250	50 and 60	216T6 *	2CMA168121R1000	1	0.64
<b>3P+E</b>							
4	Red	380-415	50 and 60	316T6 *	2CMA168122R1000	1	0.78
4	Blue	200-250	50 and 60	316T9	2CMA168123R1000	1	0.78
<b>3P+N+E</b>							
5	Red	346-415	50 and 60	416T6 *	2CMA168124R1000	1	0.89

Dimensions, see page 88



### Three way adaptor, 16 A, IP44 Splashproof

Plastic enclosure

One inlet, one socket-outlet and two socket-outlets Schuko 230 V



Description	Type	Order code	Pack	Weight kg/ea
<b>3P+N+E</b>				
Inlet 1xIEC 16 A, 400 V Outlet 2xSchuko 230 V 1xIEC 16 A, 400 V	416T6MIX *	2CMA170193R1000	1	1.00



### Adaptors on cable, 16 A, IP44 Splashproof



Description	Type	Order code	Cable area	Pack	Length m
Adaptor, 3-ways. From IEC 230 V to Schuko 230 V.	216P6TRIO *	2CMA170186R1000	REVE 3G 1.5	1	1.50
Adaptor, 3-ways. From IEC 400 V to Schuko 230 V	416P6TRIO *	2CMA170185R1000	REVE 5G 1.5	1	1.00
Adaptor, 3-ways. From IEC 400 V 16 A to 3 x IEC 400 V 16 A	416P6/216R6 *	2CMA170191R1000	REVE 5G 2.5	1	2.00
Adaptor, 3-ways. From IEC 400 V 16 A to 3 x IEC 400 V 16 A	416P6/416R6 *	2CMA170192R1000	REVE 5G 2.5	1	2.50
Adaptor, 3-ways. From IEC 400 V 16 A to 2xSchuko 230 V + IEC 400 V 16 A	416P6/DUO+C *	2CMA170265R1000	REVE 5G 1.5	1	1.50

### Adaptors, 10/16 A, IP44 Splashproof

Plastic enclosure

One inlet IEC 16 A and one outlet 10/16 A (Schuko)



Terminals/ poles	Color code	Voltage V	Frequency Hz	Type	Order code	Pack qty	Weight kg/ea
<b>2P+E</b>							
3	Blue	230	50 and 60	216Schuko *	2CMA170196R1000	10	0.14
<b>3P+E</b>							
4	Red	415/230	50 and 60	416Schuko *	2CMA170195R1000	10	0.18

\*) Indicates standard product. Dimensions, see page 89

# Additional products and accessories

## Phase sequense products

ABB's new range of phase shifter products offers a safe and quick solution to the problem with wrong phase sequense in an electrical installation.



### Plug Shifter, 16 A, IP44 Splashproof

Plastic enclosure (PA), Cable area/connection area 1-2.5 mm<sup>2</sup>



Terminals/ poles	Color code	Voltage V	Frequency Hz	Type	Order code	Pack qty	Weight kg/ea
<b>Rated current 16 A</b>							
<b>3P+N+E</b>							
5	■ Red	346-415	50 and 60	416PFV6 *	2CMA168131R1000	1	0.19

Dimensions, see page 89



### Surface Inlet Shifter, 16 A, IP44 Splashproof

Plastic enclosure (PA), Cable area/connection area 1.5-4 mm<sup>2</sup>



Terminals/ poles	Color code	Voltage V	Frequency Hz	Type	Order code	Pack qty	Weight kg/ea
<b>Rated current 16 A</b>							
<b>3P+N+E</b>							
5	■ Red	346-415	50 and 60	416BSFV6	2CMA168169R1000	1	0.20

Dimensions, see page 89



### Panel Mounted Inlet Shifter, 16 A, IP44 Splashproof

Plastic enclosure (PA), Cable area/connection area 1.5-4 mm<sup>2</sup>



Terminals/ poles	Color code	Voltage V	Frequency Hz	Type	Order code	Pack qty	Weight kg/ea
<b>Rated current 16 A</b>							
<b>3P+N+E</b>							
5	■ Red	346-415	50 and 60	416BUFV6	2CMA168159R1000	1	0.14

Dimensions, see page 89



### Phase sequence changers, 16 and 32 A, IP44 Splashproof

Plastic enclosure



Terminals/ poles	Color code	Voltage V	Frequency Hz	Type	Order code	Pack qty	Weight kg/ea
<b>Rated current 16 A</b>							
<b>3P+N+E</b>							
5	■ Red	346-415	50 and 60	416FV6 *	2CMA168129R1000	10	0.40
<b>Rated current 32 A</b>							
<b>3P+N+E</b>							
5	■ Red	346-415	50 and 60	432FV6 *	2CMA168130R1000	10	0.60

\*) Indicates standard product. Dimensions, see page 90



# Additional products and accessories

## Emergency power inlet



For connection of emergency power generators. Metal enclosure. Ingress protection rating IP 43. Inlet according to IEC 60 309-2, 3P+N+E, 6h, 400 V. Transfer switch according to IEC 60 947-3. Pilot indicator for returning power network voltage. Bottom flange size FL 13 (DRI 432-6 and DRI 463-6) or FL 21 (DRI 4125-6).

### 32 A, IP 43

Cable area Cu 25 mm<sup>2</sup>, Al 35 mm<sup>2</sup>.

Terminals/ poles	Color code	Voltage V	Type	Order code	Dimensions (mm)			Pack qty	Weight kg/ea
					W	H	D		
<b>3P+N+E</b>									
5	■ Red	400	DRI 432-6 *	2CMA154098R1000	330	330	163	1	9.7

### 63 A, IP 43

Cable area Cu 25 mm<sup>2</sup>, Al 35 mm<sup>2</sup>.

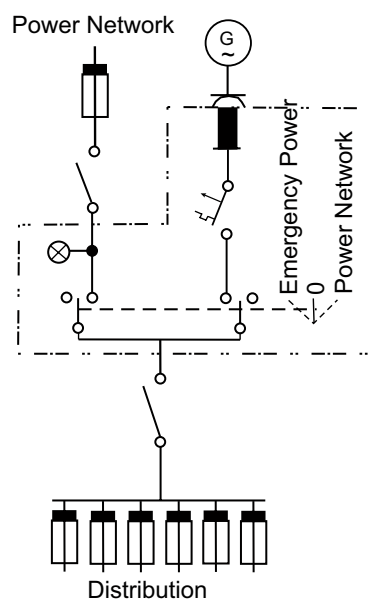
Terminals/ poles	Color code	Voltage V	Type	Order code	Dimensions (mm)			Pack qty	Weight kg/ea
					W	H	D		
<b>3P+N+E</b>									
5	■ Red	400	DRI 463-6 *	2CMA154099R1000	330	330	163	1	9.8

### 125 A, IP 43

Cable area Cu 50 mm<sup>2</sup>, Al 70 mm<sup>2</sup>.

Terminals/ poles	Color code	Voltage V	Type	Order code	Dimensions (mm)			Pack qty	Weight kg/ea
					W	H	D		
<b>3P+N+E</b>									
5	■ Red	400	DRI 4125-6 *	2CMA154029R1000	330	495	293	1	13.0

\*) Indicates standard product.



# Additional products and accessories

## Building site connection units

BPC is a mobile outlet central used for building/construction sites.

It is tested and approved according to EN 60 439-4 which means that the enclosure and wiring can handle the everyday life on construction sites.

### 16 A, IP44 Splashproof

Plastic enclosure (PBT)



Configuration	Type	Order code	Pack qty	Weight kg/ea
Inlet 16 A, 400 V Outlet: 2x16 A, 400 V 4x16 A Schuko 230 V with MCB 2+2 RCD 25 A 30 mA	BPC 16 *	2CMA170266R1000	1	3.20
Inlet 16 A, 400 V Outlet: 2x16 A, 400 V 4x16 A Schuko 230 V RCD 25 A 30 mA	BPC 16 US *	2CMA170267R1000	1	3.10

### 32 A, IP44 Splashproof

Plastic enclosure (PBT)

Configuration	Type	Order code	Pack qty	Weight kg/ea
Inlet 32 A, 400 V Outlet: 1x32 A, 400 V, for looping 1x16 A, 400 V with MCB 4x16 A Schuko 230 V with MCB 2+2 16 A RCD 40 A 30 mA	BPC 32 *	2CMA170268R1000	1	3.40

### Site connection units, 16 and 32 A, IP44 Splashproof

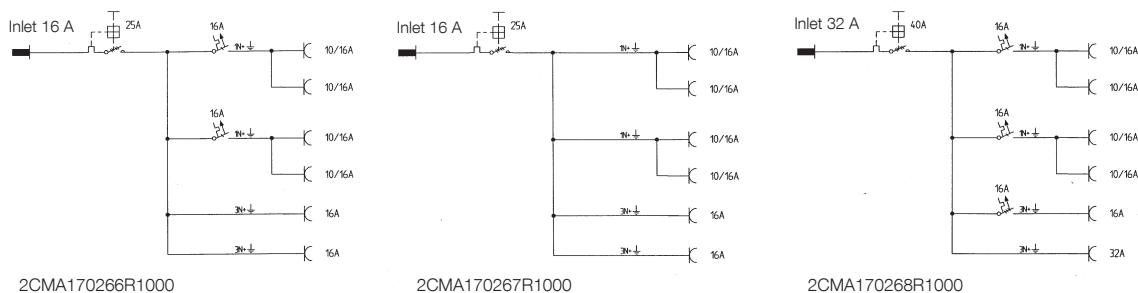
Plastic enclosure (PBT) with terminal block to supply distribution boards in sheds. Cable entry: Tube entry Ø 25.5 mm



Terminals/ poles	Color code	Voltage V	Frequency Hz	Type	Order code	Pack qty	Weight kg/ea
<b>Rated current 16 A</b>							
<b>3P+N+E</b>							
5	Red	346-415	50 and 60	416A6 *	2CMA168127R1000	1	0.74
<b>Rated current 32 A</b>							
<b>3P+N+E</b>							
5	Red	346-415	50 and 60	432A6 *	2CMA168128R1000	1	0.94

\*) Indicates standard product. Dimensions, see page 89

### Wiring diagrams



# Additional products and accessories



## Plugblocker

Lockout/tagout for plugs and inlets. Can be used for any IEC 60309-1 and 60309-2 plug or inlet, both IP44 and IP67 products.

To fit	Type	Order code	Pack qty
Plugs 16-125 A Panel mounted inlets 16-125 A Surface mounted inlets 16-125 A	CLF16-125 *	2CMA179237R1000	1



## Protective cover 16-125 A, IP44/67

Material in EPDM Rubber

For inlet and plug	Type	Order code	Pack qty
16 A, 2P+E	GP216 *	2CMA164993R1000	1
16 A, 3P+E	GP316 *	2CMA164994R1000	1
16 A, 3P+N+E	GP416 *	2CMA164995R1000	1
32 A, 2P+E and 3P+E	GP232/332	2CMA164996R1000	1
32 A, 3P+N+E	GP432 *	2CMA164997R1000	1
63 A, 2P+E, 3P+E and 3P+N+E	GP63 *	2CMA164998R1000	1
125 A, 2P+E, 3P+E and 3P+N+E	GP125 *	2CMA164999R1000	1



## Cable tightening

To fit equipment type:		Type	Order code	Dimension	Pack qty
Inlet	Outlet				
2125BS...W	2125RS...W	CWT-1	2CMA170187R1000	Ø 22-48 mm cable area up to 70 mm <sup>2</sup>	1
3125BS...W	3125RS...W				
4125BS...W	4125RS...W				
Modular Combi plastic Extra assembly friendly		CWT-2	2CMA144007R1000	Ø 15-40 mm	1
FL21 Multisize cable gland		CWT-3	2CMA199116R1000		1

## Accessories

Description	Order code	Pack qty
Tightening plug Pg 16 (Pr 22.5) *	2CMA178320R1000	10
Cable attachment clamp type AV *	2CMA178336R1000	10
Auxillary contact OA1G10 (normally open)	2CMA144690R1000	1
Auxillary contact OA1G01 (normally closed)	2CMA144691R1000	1

\*) Indicates standard product.

Auxillary contacts for all switched socket outlets 16-125 A. Technical data according to IEC 609447-5-1. Ith 16 A. Insulation voltage 690 V. Operational voltage (V) 230/400/690. Operational current (A) 6/4/2.

## Additional products and accessories



### Schuko outlets, 10/16 A, 250 V, IP44 Splashproof Metal enclosure (aluminum alloy) The units have selfclosing lids which are lockable in closed position.

Terminals/ poles	Number of outlets	Conductor area, mm <sup>2</sup>	Cable entry	Type	Order code	Pack qty	Weight kg/ea
<b>1P+E</b>							
2	1	2.5	2xM20	UJ110/2 *	2CMA178338R1000	10	0.30
2	2	2.5	2xM20	UJ210/2 *	2CMA178339R1000	5	0.60
2	4	2.5	2xM20+2xM25	UJ410 *	2CMA178341R1000	1	0.90

Dimensions, see page 90



### Schuko outlet for mounting on supporting wire, wall or cable ladder Plastic enclosure, 10/16 A, 250 V. For through supply of 3P+N+E. Cable entry: conduit (2 pcs included)

Terminals/ poles	Number of outlets	Conductor area, mm <sup>2</sup>	Degree of protection	Type	Order code	Pack qty	Weight kg/ea
<b>1P+E</b>							
2	2	2.5	IP 20	2210 *	2CMA178311R1000	10	0.30
2	2	2.5	IP44	2210L *	2CMA178319R1000	10	0.30



### Surface socket outlet with schuko, 16 A, IP44 Splashproof Plastic enclosure, socket-outlet with 2 pole schuko 16 A, Cable area 1.5-4 mm<sup>2</sup>



Terminals/ poles	Color code	Voltage V	Frequency Hz	Type	Order code	Pack qty	Weight kg/ea
<b>3P+N+E</b>							
5	■ Red	400/230	50 and 60	CUE416-6+R/UJP *	2CMA178301R1000	10	0.34

\*) Indicates standard product.

# Additional products and accessories

## Spare parts

### Spare parts for switched interlocked socket-outlets

Order code	Description	Pack quantity
<b>Lid complete for MHS <sup>1)</sup></b>		
2CMA181726R1000	LID COMPL. 216MHS6	1
2CMA181738R1000	LID COMPL. 316MHS6	1
2CMA181728R1000	LID COMPL. 316MHS7	1
2CMA181735R1000	LID COMPL. 316MHS9	1
2CMA181739R1000	LID COMPL. 332MHS6	1
2CMA181736R1000	LID COMPL. 332MHS7	1
2CMA181737R1000	LID COMPL. 332MHS9	1
2CMA181746R1000	LID COMPL. 363MHS6	1
2CMA181730R1000	LID COMPL. 416MHS6	1
2CMA181729R1000	LID COMPL. 432MHS6	1
2CMA181747R1000	LID COMPL. 463MHS6	1
<b>Socket complete for MHS <sup>2)</sup></b>		
2CMA181711R1000	SOCKET COMPL. 216MHS6	1
2CMA181712R1000	SOCKET COMPL. 316MHS6	1
2CMA181713R1000	SOCKET COMPL. 316MHS7	1
2CMA181714R1000	SOCKET COMPL. 316MHS9	1
2CMA181710R1000	SOCKET COMPL. 332MHS6	1
2CMA181716R1000	SOCKET COMPL. 332MHS7	1
2CMA181717R1000	SOCKET COMPL. 332MHS9	1
2CMA181744R1000	SOCKET COMPL. 363MHS6	1
2CMA181715R1000	SOCKET COMPL. 416MHS6	1
2CMA181718R1000	SOCKET COMPL. 432MHS6	1
2CMA181745R1000	SOCKET COMPL. 463MHS6	1
<b>Lid complete for MM <sup>1)</sup></b>		
2CMA181734R1000	LID COMPL. 316MM6	1
2CMA181732R1000	LID COMPL. 332MM6	1
2CMA181740R1000	LID COMPL. 363MM6	1
2CMA181733R1000	LID COMPL. 416MM6	1
2CMA181731R1000	LID COMPL. 432MM6 *	1
2CMA181741R1000	LID COMPL. 463MM6	1
<b>Socket complete for MM <sup>2)</sup></b>		
2CMA181719R1000	SOCKET COMPL. 316MM6	1
2CMA181720R1000	SOCKET COMPL. 332MM6	1
2CMA181742R1000	SOCKET COMPL. 363MM6	1
2CMA181727R1000	SOCKET COMPL. 416MM6	1
2CMA181725R1000	SOCKET COMPL. 432MM6	1
2CMA181743R1000	SOCKET COMPL. 463MM6	1

<sup>\*)</sup> Indicates standard product.

<sup>1)</sup> Contains lid, handle, screws

<sup>2)</sup> Contains socket, contact sleeves, screws

# Extra low voltage

## According to IEC 60 309



We will make changes to our offering for extra low voltage (ELV).

The current range will be replaced and the main improvement is that we will add also IP67 versions to our offering. Our range of Industrial plugs and sockets for extra low voltage covers voltages up to 50V AC or DC and fulfills IEC 60309.

The old range will be available for the remainder of 2015, since we will no longer hold inventory of the old range delivery time might increase during the year.

Extra low voltage is one way to protect from electrical shock. Extra-low voltage is used where the risks are great: swimming pools, wandering-lead hand lamps, and other portable appliances for outdoor use, etc.

The plugs and sockets are intended for an operating voltage not exceeding 50 V. Their rated voltage is 24 V and 50 V for 16 A and 32 A.

### Standards

The products are designed according to the following standards: IEC 60 309-1, 60 309-2.

### Connections

Screw type terminals.

### Non-interchangeability

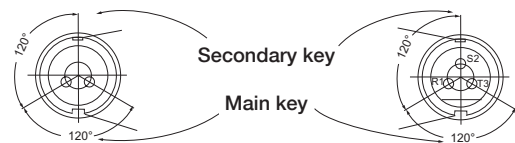
To achieve non-interchangeability, the plugs and sockets have a main key and a secondary key. The position of the secondary key is indicated by a number followed by a letter h (the hour position or o'clock position). The number is determined by the position of the secondary key relative to the main key, the position of which is defined as 6 o'clock. Non hour position is given for 20-25 V, 50-60 Hz, since there is no secondary key on these plugs and sockets.

The width of the key is different for 16 A and 32 A plugs and sockets. In addition, there is a color coding system: The cover or front part is violet on 20-25 V and white on 40-50 V plugs and sockets. Plugs and sockets for direct current are grey.

### Connectable conductor area

Rated current A	Poles	Plugs, connectors and appliance inlets (rubber sheath cable), mm <sup>2</sup>	Socket-outlets (fixed installation) mm <sup>2</sup>
16 and 32	2	4-10	4-10
16 and 32	3	4-10	4-10

### Diagram showing the hour position for the various types



Positions and connections of the contact

### Table according to IEC 60309-2

Table 3. Plugs and sockets for max. 50 V.

Poles	Rated Voltage V	Frequency Hz	Position of secondary key 1)	Color code	
2	20-25	50-60	(none)	Violet	
		40-50	12 h	White	
	20-25 and 40-50	50-60	100-200	4 h	Green
		300	2 h	Green	
		400	3 h	Green	
		>400-500	11 h	Green	
3	20-25	50-60	(none)	Violet	
		40-50	12 h	White	
	20-25 and 40-50	50-60	100-200	4 h	Green
		300	2 h	Green	
		400	3 h	Green	
		>400-500	11 h	Green	

<sup>1)</sup>The position of main key is defined as 6 h (6 o'clock)

# Extra low voltage

## Plugs



### 16 A, IP44 Splashproof Plastic housing (PA), cable entry with compression gland

Terminals/ poles	Color code	Voltage V	Frequency Hz	New type	New Order code	Pack	Weight kg/ea	Replacing type	Replacing Order code
<b>2P</b>									
2	Violet	20-25 AC	50 and 60	PLV216	2CMA100877R1000	10	0,142	CPT 216	2CMA179277R1000
2	White	40-50 AC	50 and 60	PLV216-12	2CMA100878R1000	10	0,142	CPT 216-12	2CMA179278R1000
2	Grey	25 and 50 DC	-	PLV216-10	2CMA100879R1000	10	0,142	CPT 216-10	2CMA179279R1000
<b>3P</b>									
3	Violet	20-25 AC	50 and 60	PLV316	2CMA100880R1000	10	0,16	CPT 316	2CMA179280R1000
3	White	40-50 AC	50 and 60	PLV316-12	2CMA100881R1000	10	0,16	CPT 316-12	2CMA179281R1000
3	Green	25 and 50 AC	100-200	PLV316-4	2CMA100882R1000	10	0,16	CPT 316-4	2CMA179282R1000

### 32 A, IP44 Splashproof Plastic housing (PA), cable entry with compression gland

Terminals/ poles	Color code	Voltage V	Frequency Hz	New type	New Order code	Pack	Weight kg/ea	Replacing type	Replacing Order code
<b>2P</b>									
2	Violet	20-25 AC	50 and 60	PLV232	2CMA100883R1000	10	0,142	CPT 232	2CMA179283R1000
2	White	40-50 AC	50 and 60	PLV232-12	2CMA100884R1000	10	0,142	CPT 232-12	2CMA179296R1000
2	Grey	25 and 50 DC	-	PLV232-10	2CMA100885R1000	10	0,142	CPT 232-10	2CMA179284R1000
<b>3P</b>									
3	Violet	20-25 AC	50 and 60	PLV332	2CMA100886R1000	10	0,16	CPT 332	2CMA179285R1000
3	White	40-50 AC	50 and 60	PLV332-12	2CMA100887R1000	10	0,16	CPT 332-12	2CMA179286R1000
3	Green	25 and 50 AC	100-200	PLV332-4	2CMA100888R1000	10	0,16	CPT 332-4	2CMA179287R1000



### 16 A, IP67 Watertight Plastic housing (PA), cable entry with compression gland

Terminals/ poles	Color code	Voltage V	Frequency Hz	New type	New Order code	Pack	Weight kg/ea	Replacing type	Replacing Order code
<b>2P</b>									
2	Violet	20-25 AC	50 and 60	PLV216W	2CMA100889R1000	10	0,164		
2	White	40-50 AC	50 and 60	PLV216-12W	2CMA100890R1000	10	0,164		
2	Grey	25 and 50 DC	-	PLV216-10W	2CMA100891R1000	10	0,164		
<b>3P</b>									
3	Violet	20-25 AC	50 and 60	PLV316W	2CMA100892R1000	10	0,182		
3	White	40-50 AC	50 and 60	PLV316-12W	2CMA100893R1000	10	0,182		
3	Green	25 and 50 AC	100-200	PLV316-4W	2CMA100894R1000	10	0,182		

### 32 A, IP67 Watertight Plastic housing (PA), cable entry with compression gland

Terminals/ poles	Color code	Voltage V	Frequency Hz	New type	New Order code	Pack	Weight kg/ea	Replacing type	Replacing Order code
<b>2P</b>									
2	Violet	20-25 AC	50 and 60	PLV232W	2CMA100895R1000	10	0,164		
2	White	40-50 AC	50 and 60	PLV232-12W	2CMA100896R1000	10	0,164		
2	Grey	25 and 50 DC	-	PLV232-10W	2CMA100897R1000	10	0,164		
<b>3P</b>									
3	Violet	20-25 AC	50 and 60	PLV332W	2CMA100898R1000	10	0,182		
3	White	40-50 AC	50 and 60	PLV332-12W	2CMA100899R1000	10	0,182		
3	Green	25 and 50 AC	100-200	PLV332-4W	2CMA100900R1000	10	0,182		

- Accessories ..... page 70
- Technical data ..... page 83

# Extra low voltage Connectors

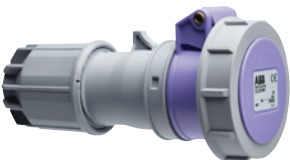


## 16 A, IP44 Splashproof Plastic housing (PA), cable entry with compression gland

Terminals/ poles	Color code	Voltage V	Frequency Hz	New type	New Order code	Pack	Weight kg/ea	Replacing type	Replacing Order code
<b>2P</b>									
2	Violet	20-25 AC	50 and 60	CLV216	2CMA100901R1000	10	0,177	CST 216	2CMA179288R1000
2	White	40-50 AC	50 and 60	CLV216-12	2CMA100902R1000	10	0,177	CST 216-12	2CMA179289R1000
2	Grey	25 and 50 DC	-	CLV216-10	2CMA100903R1000	10	0,177	CST 216-10	2CMA179290R1000
<b>3P</b>									
3	Violet	20-25 AC	50 and 60	CLV316	2CMA100904R1000	10	0,198	CST 316	2CMA179291R1000
3	White	40-50 AC	50 and 60	CLV316-12	2CMA100905R1000	10	0,198	CST 316-12	2CMA179292R1000
3	Green	25 and 50 AC	100-200	CLV316-4	2CMA100906R1000	10	0,198	CST 316-4	2CMA179293R1000

## 32 A, IP44 Splashproof Plastic housing (PA), cable entry with compression gland

Terminals/ poles	Color code	Voltage V	Frequency Hz	New type	New Order code	Pack	Weight kg/ea	Replacing type	Replacing Order code
<b>2P</b>									
2	Violet	20-25 AC	50 and 60	CLV232	2CMA100907R1000	10	0,178	CST 232	2CMA179297R1000
2	White	40-50 AC	50 and 60	CLV232-12	2CMA100908R1000	10	0,178	CST 232-12	2CMA179306R1000
2	Grey	25 and 50 DC	-	CLV232-10	2CMA100909R1000	10	0,178	CST 232-10	2CMA179295R1000
<b>3P</b>									
3	Violet	20-25 AC	50 and 60	CLV332	2CMA100910R1000	10	0,198	CST 332	2CMA179307R1000
3	White	40-50 AC	50 and 60	CLV332-12	2CMA100911R1000	10	0,198	CST 332-12	2CMA179328R1000
3	Green	25 and 50 AC	100-200	CLV332-4	2CMA100912R1000	10	0,198	CST 332-4	2CMA179329R1000



## 16 A, IP67 Watertight Plastic housing (PA), cable entry with compression gland

Terminals/ poles	Color code	Voltage V	Frequency Hz	New type	New Order code	Pack	Weight kg/ea	Replacing type	Replacing Order code
<b>2P</b>									
2	Violet	20-25 AC	50 and 60	CLV216W	2CMA100913R1000	10	0,199	<b>NEW</b>	
2	White	40-50 AC	50 and 60	CLV216-12W	2CMA100914R1000	10	0,199	<b>NEW</b>	
2	Grey	25 and 50 DC	-	CLV216-10W	2CMA100915R1000	10	0,199	<b>NEW</b>	
<b>3P</b>									
3	Violet	20-25 AC	50 and 60	CLV316W	2CMA100916R1000	10	0,219	<b>NEW</b>	
3	White	40-50 AC	50 and 60	CLV316-12W	2CMA100917R1000	10	0,219	<b>NEW</b>	
3	Green	25 and 50 AC	100-200	CLV316-4W	2CMA100918R1000	10	0,219	<b>NEW</b>	

## 32 A, IP67 Watertight Plastic housing (PA), cable entry with compression gland

Terminals/ poles	Color code	Voltage V	Frequency Hz	New type	New Order code	Pack	Weight kg/ea	Replacing type	Replacing Order code
<b>2P</b>									
2	Violet	20-25 AC	50 and 60	CLV232W	2CMA100919R1000	10	0,199	<b>NEW</b>	
2	White	40-50 AC	50 and 60	CLV232-12W	2CMA100920R1000	10	0,199	<b>NEW</b>	
2	Grey	25 and 50 DC	-	CLV232-10W	2CMA100921R1000	10	0,199	<b>NEW</b>	
<b>3P</b>									
3	Violet	20-25 AC	50 and 60	CLV332W	2CMA100922R1000	10	0,219	<b>NEW</b>	
3	White	40-50 AC	50 and 60	CLV332-12W	2CMA100923R1000	10	0,219	<b>NEW</b>	
3	Green	25 and 50 AC	100-200	CLV332-4W	2CMA100924R1000	10	0,219	<b>NEW</b>	

- Accessories .....page 70
- Technical data.....page 83



# Extra low voltage Socket outlets



## 16 A, IP44 Splashproof Plastic housing (PA), Flanged socket straight, 55x55 mm

Terminals/ poles	Color code	Voltage V	Frequency Hz	New type	New Order code	Pack	Weight kg/ea	Replacing type	Replacing Order code
<b>2P</b>									
2	■ Violet	20-25 AC	50 and 60	RLV216	2CMA100973R1000	10	0,099	CUIT 216	2CMA179309R1000
2	□ White	40-50 AC	50 and 60	RLV216-12	2CMA100974R1000	10	0,099	CUIT 216-12	2CMA179310R1000
2	■ Grey	25 and 50 DC	-	RLV216-10	2CMA100975R1000	10	0,099	CUIT 216-10	2CMA179311R1000
<b>3P</b>									
3	■ Violet	20-25 AC	50 and 60	RLV316	2CMA100976R1000	10	0,114		
3	□ White	40-50 AC	50 and 60	RLV316-12	2CMA100977R1000	10	0,114		
3	■ Green	25 and 50 AC	100-200	RLV316-4	2CMA100978R1000	10	0,114		

## 32 A, IP44 Splashproof Plastic housing (PA), Flanged socket straight, 55x55 mm

Terminals/ poles	Color code	Voltage V	Frequency Hz	New type	New Order code	Pack	Weight kg/ea	Replacing type	Replacing Order code
<b>2P</b>									
2	■ Violet	20-25 AC	50 and 60	RLV232	2CMA100979R1000	10	0,099	CUIT 232	2CMA179312R1000
2	□ White	40-50 AC	50 and 60	RLV232-12	2CMA100980R1000	10	0,099	CUIT 232-12	2CMA179331R1000
2	■ Grey	25 and 50 DC	-	RLV232-10	2CMA100981R1000	10	0,099	CUIT 232-10	2CMA179332R1000
<b>3P</b>									
3	■ Violet	20-25 AC	50 and 60	RLV332	2CMA100982R1000	10	0,114		
3	□ White	40-50 AC	50 and 60	RLV332-12	2CMA100983R1000	10	0,114		
3	■ Green	25 and 50 AC	100-200	RLV332-4	2CMA100984R1000	10	0,114		



## 16 A, IP44 Splashproof Plastic housing (PA), threaded cable entry M25

Terminals/ poles	Color code	Voltage V	Frequency Hz	New type	New Order code	Pack	Weight kg/ea	Replacing type	Replacing Order code
<b>2P</b>									
2	■ Violet	20-25 AC	50 and 60	RSLV216	2CMA100985R1000	10	0,198	CUGT 216	2CMA179298R1000
2	□ White	40-50 AC	50 and 60	RSLV216-12	2CMA100986R1000	10	0,198	CUGT 216-12	2CMA179299R1000
2	■ Grey	25 and 50 DC	-	RSLV216-10	2CMA100987R1000	10	0,198	CUGT 216-10	2CMA179300R1000
<b>3P</b>									
3	■ Violet	20-25 AC	50 and 60	RSLV316	2CMA100988R1000	10	0,215	CUGT 316	2CMA179301R1000
3	□ White	40-50 AC	50 and 60	RSLV316-12	2CMA100989R1000	10	0,215	CUGT 316-12	2CMA179302R1000
3	■ Green	25 and 50 AC	100-200	RSLV316-4	2CMA100990R1000	10	0,215	CUGT 316-4	2CMA179303R1000

- Accessories .....page 70
- Technical data.....page 83

# Extra low voltage

## Socket inlets



### 16 A, IP44 Splashproof

#### Plastic housing (PA), threaded cable entry M25

Terminals/ poles	Color code	Voltage V	Frequency Hz	New type	New Order code	Pack	Weight kg/ea	Replacing type	Replacing Order code
<b>2P</b>									
2	■ Violet	20-25 AC	50 and 60	BSLV216	2CMA100991R1000	10	0,165	CIGT 216	2CMA179323R1000
2	□ White	40-50 AC	50 and 60	BSLV216-12	2CMA100992R1000	10	0,165	CIGT 216-12	2CMA179324R1000
2	■ Grey	25 and 50 DC	-	BSLV216-10	2CMA100993R1000	10	0,165	CIGT 216-10	2CMA179325R1000
<b>3P</b>									
3	■ Violet	20-25 AC	50 and 60	BSLV316	2CMA100994R1000	10	0,18	CIGT 316	2CMA179326R1000
3	□ White	40-50 AC	50 and 60	BSLV316-12	2CMA100995R1000	10	0,18	CIGT 316-12	2CMA179327R1000
3	■ Green	25 and 50 AC	100-200	BSLV316-4	2CMA100996R1000	10	0,18	CIGT 316-4	2CMA179335R1000

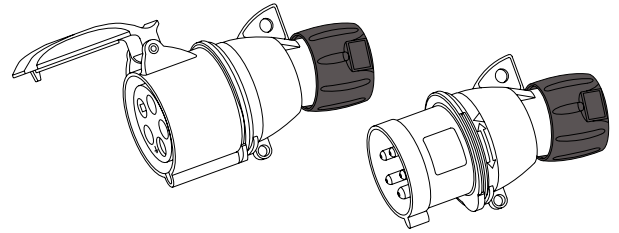
- Accessories .....page 70
- Technical data.....page 83

# Technical data

## Products IP44

### Tightening guide

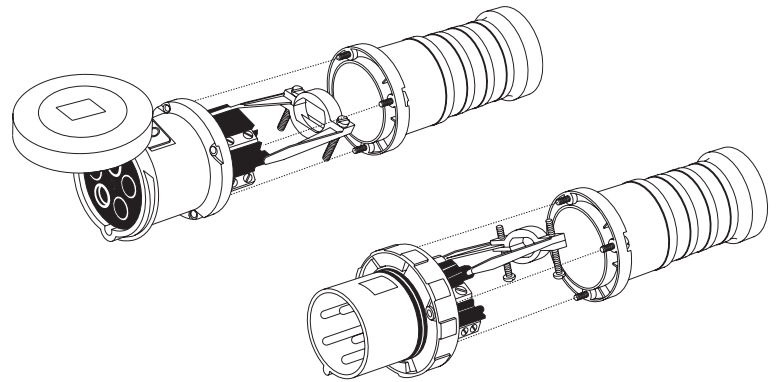
Device	Terminal screws Nm	Internal cable clamp screws Nm	Assembly screws Nm	Cable gland torque Nm
16 A	0.8	-	1.2	4-6
32 A	1.2	-	1.2	4-6
63 A	3.5	1.5	1.2	-



16-32 A, IP44

### Wire sizes

Device	Cable dimension range mm
216	8 - 13
316	13 - 17
416	13 - 17
232	13 - 21.5
332	13 - 21.5
432	13 - 21.5
263	17 - 35
363	17 - 35
463	17 - 35

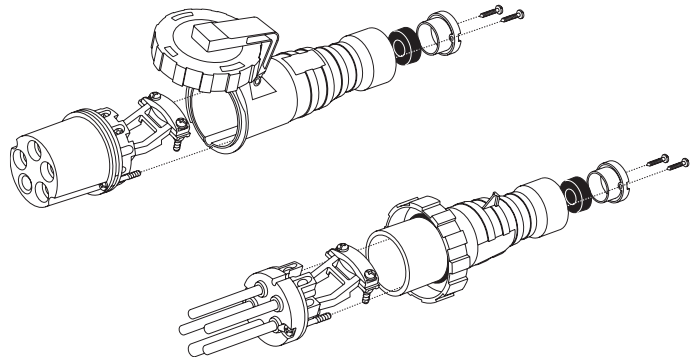


63-125 A, IP44

## Products IP67

### Tightening guide

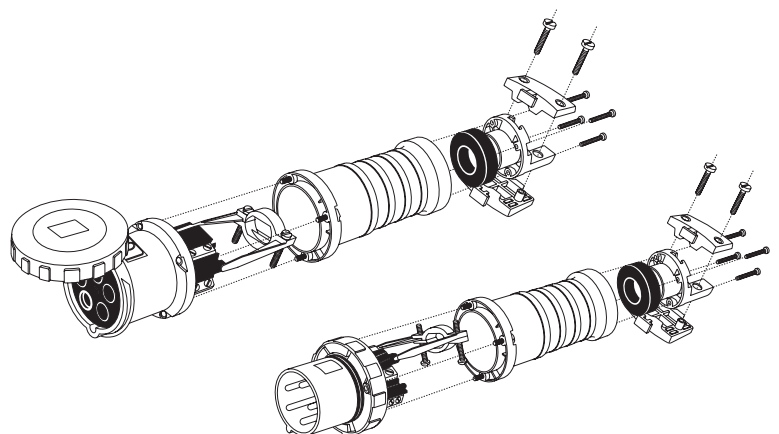
Device	Terminal screws Nm	Internal cable clamp screws Nm	Assembly screws Nm
16 A	0.8	1.2	1.2
32 A	1.2	1.2	1.2
63 A	3.5	1.5	1.2
125 A	5.6	2.0	2.0



16-32 A, IP67

### Wire sizes

Device	Cable dimension range mm
216	8 - 13
316	13 - 17
416	13 - 17
232	13 - 21.5
332	13 - 21.5
432	13 - 21.5
263	17 - 35
363	17 - 35
463	17 - 35
2125	24 - 48
3125	24 - 48
4125	24 - 48

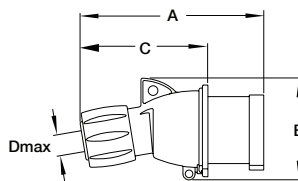


63-125 A, IP44

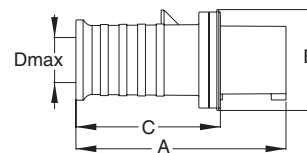
# Dimensions

## Plugs, type P..

Type	A	B	C	Dmax
216P..	125	63	88	13
316P..	142	73	105	17
416P..	142	76	105	17
232P..	162	85	116	21.5
332P..	162	85	116	21.5
432P..	162	90	116	21.5
263-463P..	215	103	148	35

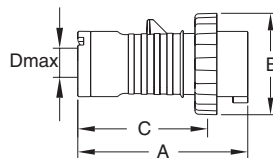


216-432P..

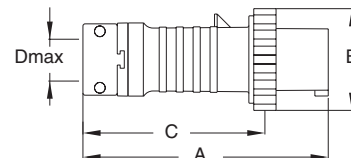


263-463P..

Type	A	B	C	Dmax
216P..W	128	71	94	13
316P..W	144	79	111	17
416P..W	146	87	112	17
232P..W	147	94	105	21.5
332P..W	147	94	105	21.5
432P..W	161	101	119	21.5
263-463P..W	275	114	213	41
2125-4125P..W	313	130	242	48



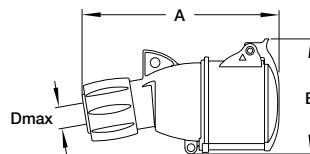
216-432P..W



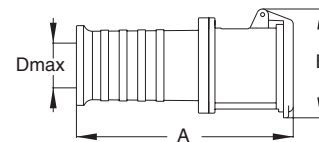
263-4125P..W

## Connectors, type C..

Type	A	B	Dmax
216C..	134	75	13
316C..	154	86	17
416C..	154	90	17
232C..	177	96	21.5
332C..	177	96	21.5
432C..	177	100	21.5
263-463C..	224	112	35

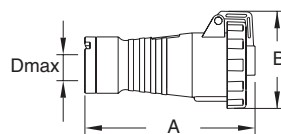


216-432C..

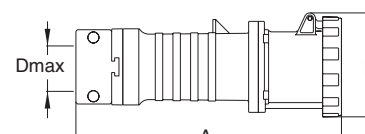


263-463C..

Type	A	B	Dmax
216C..W	151	80	13
316C..W	168	88	17
416C..W	170	97	17
232C..W	177	102	21.5
332C..W	177	102	21.5
432C..W	182	109	21.5
263-463C..W	286	111	41
2125-4125C..W	325	122	48



216-432C..W



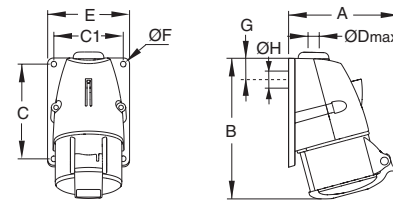
263-4125C..W

# Dimensions

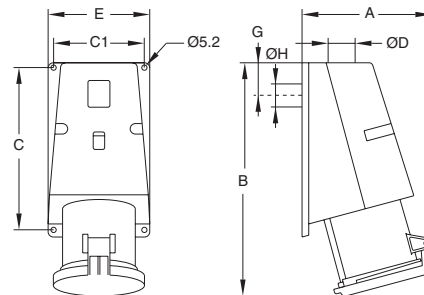
## Surface socket-outlets. type RS..

Type	A	B	C	C1	Dmax	E	F	G	H
216RS..	91	117	75	54	18/M20	66	5.5	27	23
316RS..	100	132	91	67	18/M20	79	5.5	30	23
416RS..	104	134	91	67	18/M20	79	5.5	30	23
232RS..	118	163	111	72	22/M25	85	5.5	34	29
332RS..	116	163	111	72	22/M25	85	5.5	34	29
432RS..	121	164	111	72	22/M25	85	5.5	34	29

Type	A	B	C	C1	D	E	G	H
263-463RS..	136	254	170	95	M32	107	68	35



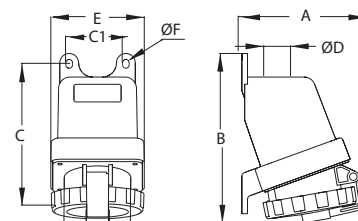
216 - 432RS..



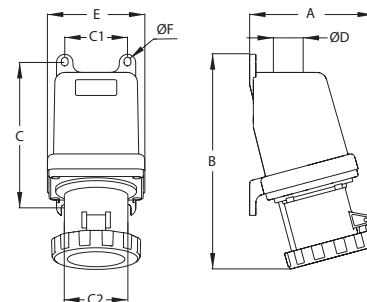
263 - 463RS..

## Surface socket-outlets, type RS...W

Type	A	B	C	C1	C2	D	E	F
216RS..W	115	172	150	60	60	25	99	6.5
316RS..W	118	170	150	60	60	25	99	6.5
416RS..W	124	169	150	60	60	25	99	6.5
232RS..W	129	178	150	60	6	25	99	6.5
332RS..W	129	178	150	60	60	25	99	6.5
432RS..W	131	178	150	60	60	25	99	6.5
263-463RS..W	150	263	176	76	76	32	118	8.0
2125-4125RS..W	171	282	188	102	85	50	145	9.0

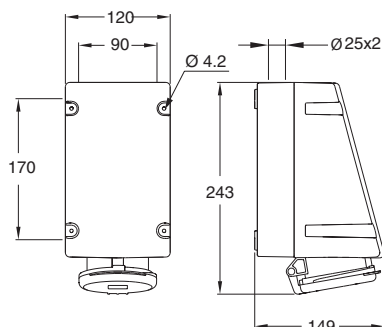


216 - 432RS..W

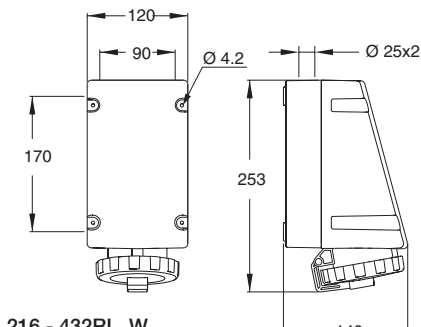


263 - 4125RS..W

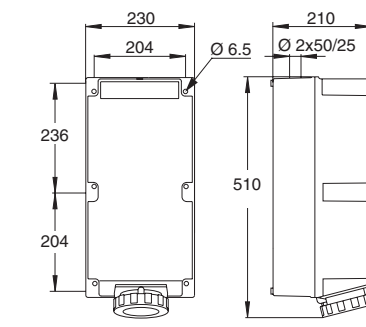
## Surface socket-outlets for looping and non-looping, type RL..., RL...W, RNL...W



216 - 432RL..



216 - 432RL..W  
216 - 432RNL...W

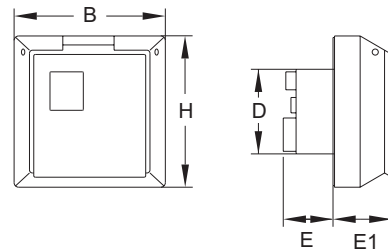


2125 - 4125RL..W

# Dimensions

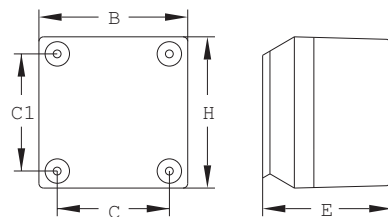
## Surface socket-outlet for flush mounting, type CUED...

Type	B	H	D	E	E1
CUED 216...	85	85	49	29.5	32
CUED 416...	95	95	62	29.5	32



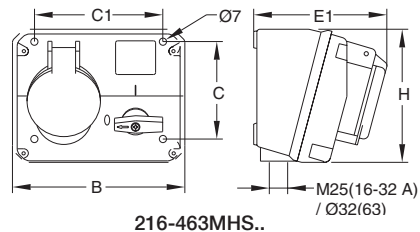
## Surface socket-outlet for surface mounting, type RD...

Type	B	H	C	C1	E
RD 216...	85	85	67	67	77
RD 416...	95	95	70	70	81



## Switched interlocked sockets-outlets, type MHS...

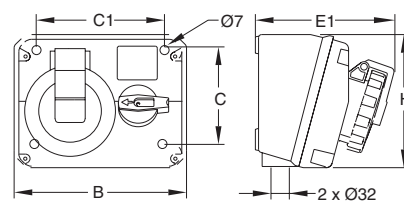
Type	B	C	C1	E1	H
216-416MHS..	168	91	125	116	129
232-432MHS..	168	91	125	126	129
263-463MHS..	206	132	152	168	168



216-463MHS..

## Switched interlocked sockets-outlets, type MHS...W

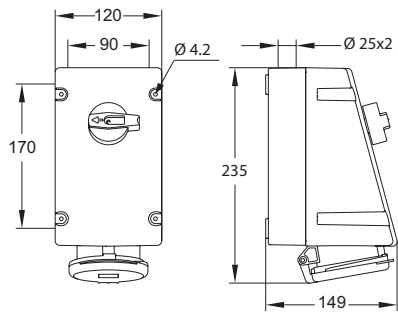
Type	B	C	C1	E1	H
216-416MHS..W	168	91	125	116	129
232-432MHS..W	168	91	125	136	129
263-463MHS..W	206	132	152	182	168



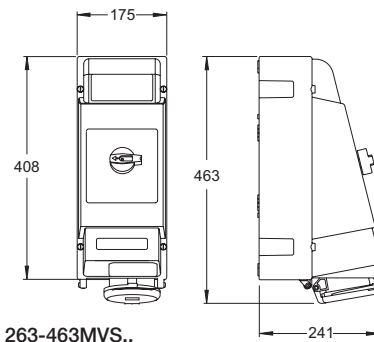
216-463MHS..W

# Dimensions

## Switched interlocked sockets-outlets, type MVS...

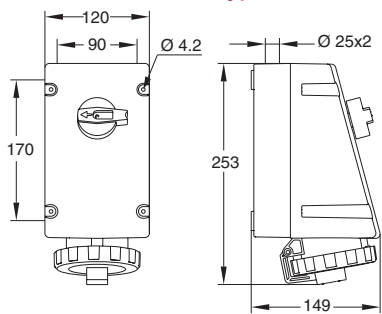


216-432MVS..

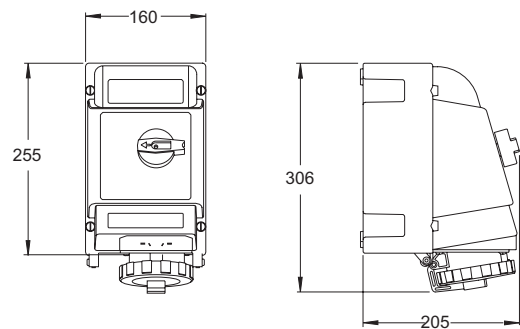


263-463MVS..

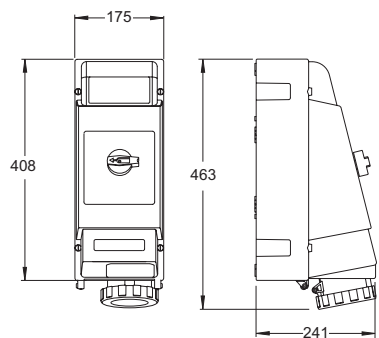
## Switched interlocked sockets-outlets, type MVS...W, MVS...WH



216-432MVS..W



216-432MVS..WH

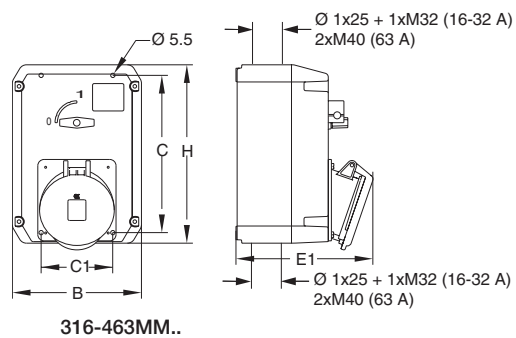


263-125MVS..WH

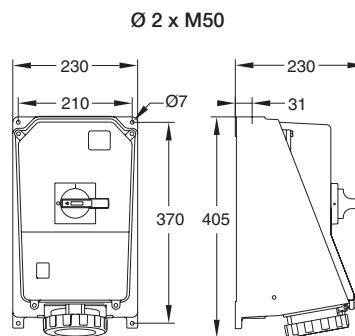
# Dimensions

## Switched Interlocked Socket Outlets, type MM...

Type	B	C	C1	E1	H
316-416MM..	135	165	91.5	125	198
332-432MM..	135	165	91.5	135	198
263-463MM..	165	201	91.5	183	228



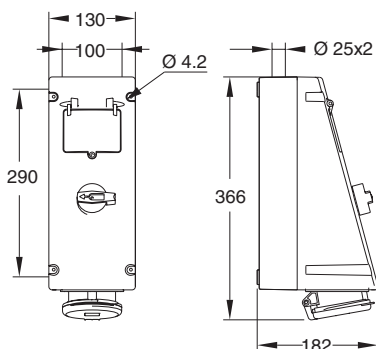
316-463MM..



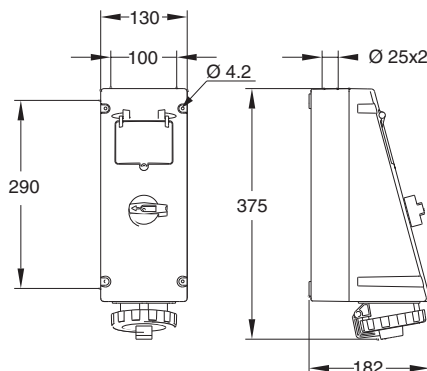
2125-4125MM..

## Switched Interlocked Socket Outlets

- with MCB, type MPM...W
- with RCD, type MPR... , MPR...W
- without MCB/RCD, type MP...WP (up to 4 modules)



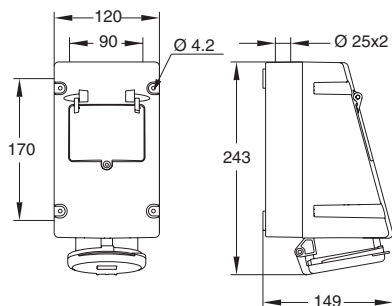
216-432MPR..



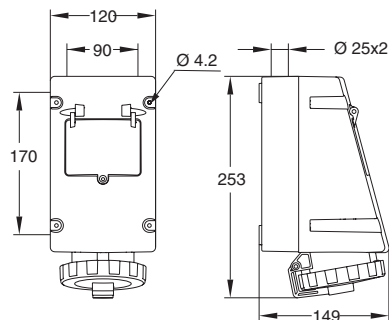
216-432MPM...W  
216-432MPR...W  
216-432MP...WP

## Socket outlets

- with MCB, type RPM...W
- with RCD, type RPR... , RPR...W
- without MCB/RCD, RP...WP (up to 4 modules)



216-432RPR..  
216-432RPM...



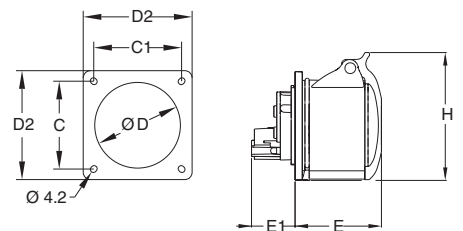
216-432RPM...W  
216-432RPR...W  
216-432RP...WP



# Dimensions

## Socket-outlets, panel mounting, type R..

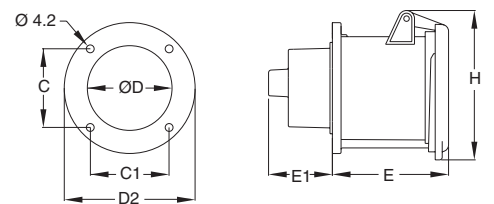
Type	C	C1	D	D2	E	E1	H
216R..	44-47	44-47	49	56	56	29	73
316R..	50-52	50-52	59	66	58	30	87
416R..	50-52	50-52	59	66	60	31	89



216-416R..  
216-432RU...

## Socket-outlets, panel mounting, type RU..

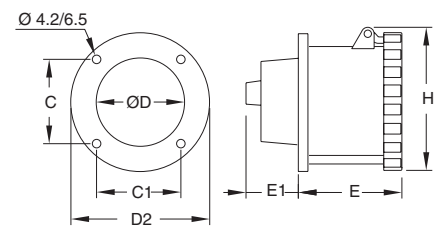
Type	C	C1	D	D2	E	E1	H
216RU..	60-61	60-61	49	75	56	29	79
316RU..	60-61	60-61	59	75	58	30	87
416RU..	60-61	60-61	59	75	60	31	89
232RU..	60-61	60-61	66	75	70	34	93
332RU..	60-61	60-61	66	75	70	34	93
432RU..	60-61	60-61	66	75	71	34	99
263-463RU..	61	61	70	104	87	48	112



263-463RU..

## Socket-outlets, panel mounting, type RU..W

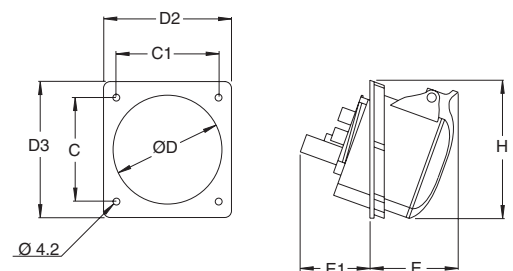
Type	C	C1	D	D2	E	E1	H
263-463RU..W	61	61	70	104	89	48	111
2125-4125RR..W	71	71	88	115	100	58	122



263-4125RU...W

## Socket-outlets, panel mounting, type RAM..

Type	C	C1	D	D2	D3	E	E1	H
216RAM..	55	55	63	70	78	53	42	76
316RAM..	66	66	78	83	89	53	46	85
416RAM..	66	66	78	83	89	55	48	89
232RAM..	75	75	87	93	99	61	52	98
332RAM..	75	75	87	93	99	61	52	98
432RAM..	75	75	87	93	99	64	52	101

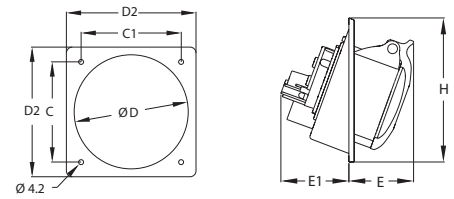


216-432RAM...

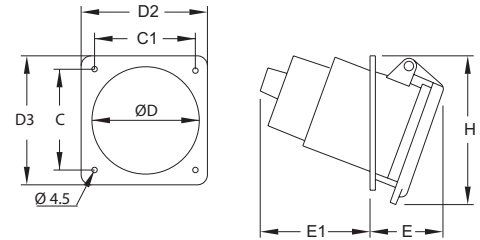
# Dimensions

## Socket-outlets, panel mounting, type RAU..

Type	C	C1	D	D2	D3	E	E1	H
216RAU..	85	85	98	110	-	48	48	110
316RAU..	85	85	98	110	-	50	48	110
416RAU..	85	85	98	110	-	51	50	110
232RAU..	85	85	98	110	-	61	53	110
332RAU..	85	85	98	110	-	61	53	110
432RAU..	85	85	98	110	-	63	54	110
263-463RAU..	84	80	92	100	104	62	73	111



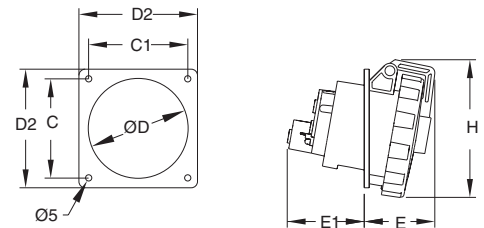
216-432RAU...



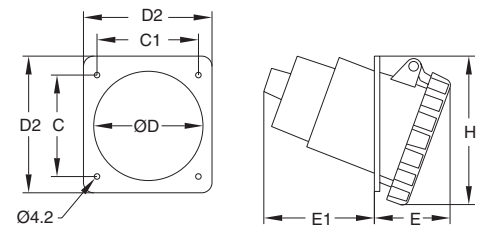
263-463RAU...

## Socket-outlets, panel mounting, type RAU..W

Type	C	C1	D	D2	E	E1	H
216RAU..W	79.5	79.5	83	95	45	57	95
316RAU..W	79.5	79.5	83	95	45	57	95
416RAU..W	79.5	79.5	83	95	47	57	99
232RAU..W	79.5	79.5	83	95	56	61	104
332RAU..W	79.5	79.5	83	95	56	61	104
432RAU..W	79.5	79.5	83	95	56	62	111
263-463RAU..W	84	80	92	104	61	71	115



216-432RAU..W

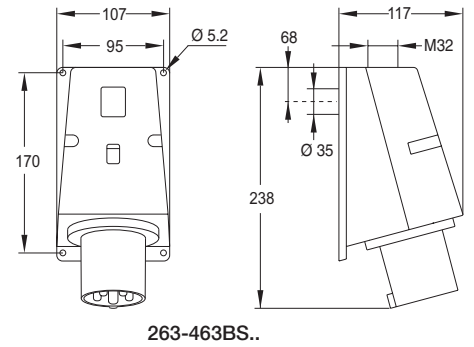
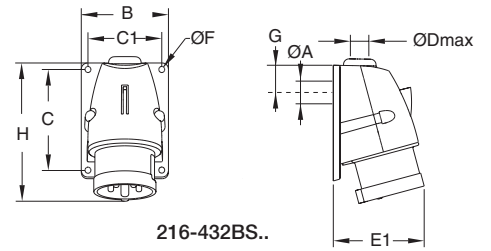


263-463RAU..W

# Dimensions

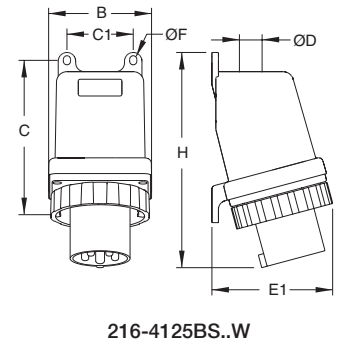
## Surface inlets, type BS..

Type	A	B	C	C1	Dmax	E1	F	G	H
216BS..	23	66	75	54	18	72	5.5	27	110
316BS..	23	79	91	67	18	78	5.5	30	124
416BS..	23	79	91	67	18	81	5.5	30	125
232BS..	29	85	111	72	22	94	5.5	34	153
332BS..	29	85	111	72	22	94	5.5	34	153
432BS..	29	85	111	72	22	96	5.5	34	154



## Surface inlets, type BS..W

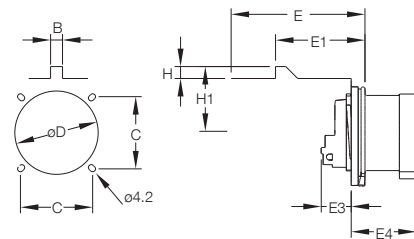
Type	B	C	C1	D	E1	F	H
216BS..W	99	150	60	28.3	129	6.6	196
316BS..W	99	150	60	28.3	132	6.5	202
416BS..W	99	150	60	28.3	134	6.5	209
232BS..W	99	150	60	28.3	136	6.5	220
332BS..W	99	150	60	28.3	136	6.5	220
432BS..W	99	150	60	28.3	140	6.5	226
263-463BS..W	118	176	76	38	138	8	249
2125-4125BS..W	145	188	85	47	160	9	265



# Dimensions

## Inlets, panel mounting, type B..

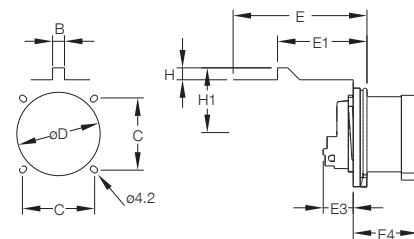
Type	B	C	D	E	E1	E3	E4	H	H1
216B..	9	44-47	49	75	40.5	21.5	46.5	4	30.0
316B..	9	50-52	59	80	46.8	21.0	47.0	5	34.0
416B..	9	50-52	59	90	52.5	21.0	46.5	7	38.0



216-416B..

## Inlets, panel mounting, type BU..

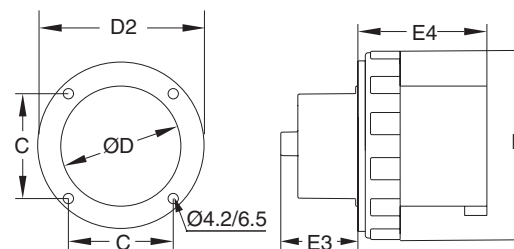
Type	B	C	D	E	E1	E3	E4	H	H1
232BU..	9	60-61	66	90	53.5	24.5	55.5	7	40.0
332BU..	9	60-61	66	90	53.5	24.5	55.5	7	40.0
432BU..	9	60-61	66	105	59.5	25.0	55.5	8	45.0
263-463BU..	11	61	70	105	62.0	50.0	78.0	9	49.5



232-463BU..

## Inlets, panel mounting, type BU..W

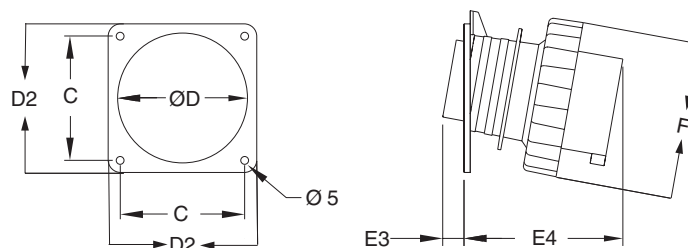
Type	B	C	D	D2	E3	E4
263-463BU..W	112	61	70	98	50	80
2125-4125BU..W	122	71	81	118	56	89



263-4125BU..W

## Inlets, panel mounting, type BAU..W

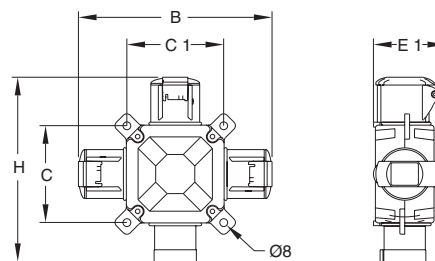
Type	C	D	D2	E3	E4	F
216BAU..W	79.5	83	95	10	47	71
316BAU..W	79.5	83	95	10	53	79
416BAU..W	79.5	83	95	10	87	87
232BAU..W	79.5	83	95	12	60	94
332BAU..W	79.5	83	95	12	60	94
432BAU..W	79.5	83	95	12	67	101



216-432BAU..W

## Three way adaptors, type T..

Type	B	C	C1	E1	H
216T..	198	99	99	74	189
316T..	202	99	99	81	190
416T..	205	99	99	85	192

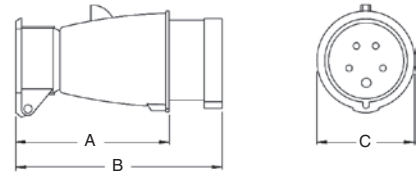


216-416T..

# Dimensions

## Adaptors, type ...Schuko

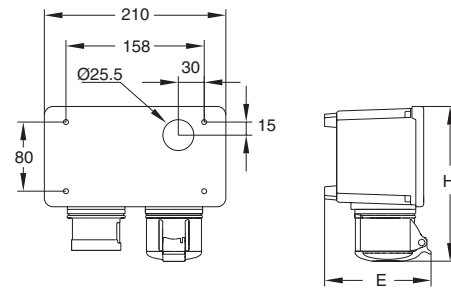
Type	A	B	C
216 Schuko	103	138	53
416 Schuko	103	139	66



216-416 Schuko

## Site connection units, type A...

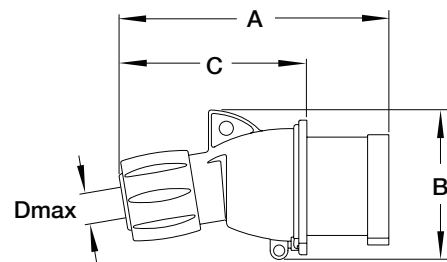
Type	E	H
416A6	125	179
432A6	125	188



416-432A6...

## Plug shifter

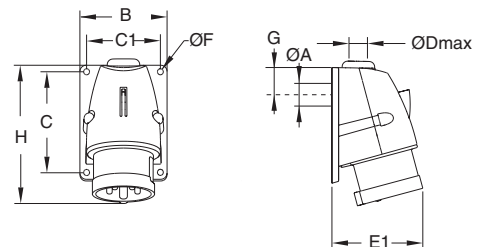
Type	A	B	C	Dmax
416PFV6	142	76	105	17



416PFV6

## Surface inlet shifter

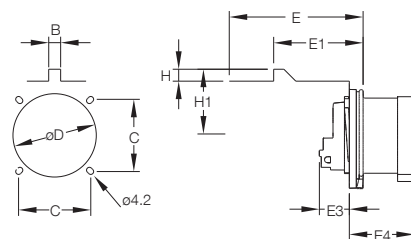
Type	A	B	C	C1	Dmax	E1	F	F	H
416BSFV6	23	79	91	67	18	81	5.5	30	125



416BSFV6

## Panel mounted inlet shifter

Type	B	C	D	E	E1	E3	E4	H	H1
416BUFV6	9	50-52	59	90	52.5	21.0	46.5	7	38.0

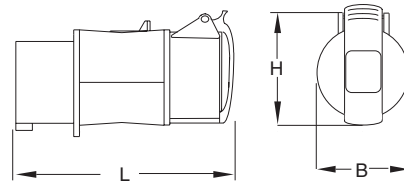


416BUFV6

# Dimensions

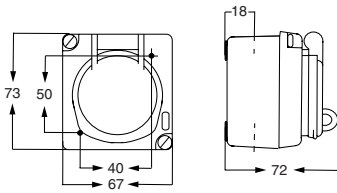
## Phase sequence changers, type FV..

Type	B	L	H
416FV6	67	163	89
432FV6	75	193	99

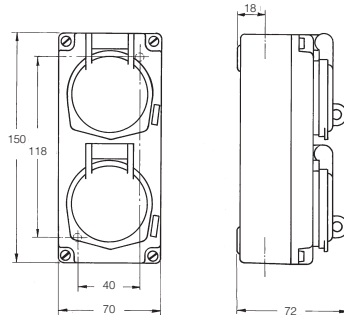


416-432FV6

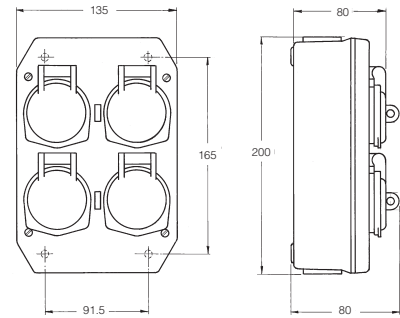
## Schuko-outlets, type UJ..



UJ 110/2



UJ 210/2



UJ 410



# Explanation of type codes

Example: 416P6W

= 4 16 P 6 W

Number of poles	2P+E	2
	3P+E	3
	3P+N+E	4
Ampere	16 A	16
	32 A	32
	63 A	63
	125 A	125

<b>Degree of protection</b>	
(blank)	IP44, Splashproof
W	IP67, Watertight
WH	IP67, Watertight, Heavy Duty

Type	Plugs	P	
	Connectors	C	
	Surface socket-outlets	RS	
	Surface socket-outlets for looping	RL	
	Switched interlocked socket-outlets, horizontal		MHS
		vertical	MVS
		of metal	MM
	Socket outlets with MCB		MPM
		with RCD	RPM
	Socket outlets with RCD	RPR	
	Socket outlets for panel mounting, minimized flange, straight		R
		unified flange, straight	RU
		minimized flange, angled	RAM
	Surface inlets		RAU
		Inlets for panel mounting, minimized flange, straight	BS
		unified flange, straight	B
		unified flange, angled	BU
	Three way adaptors	BAU	
	Site connection unit	T	
	Phase sequence testers	A	
Phase sequence changers	FP		
	FV		

<b>Other types</b>	
CUED	Socket outlets 16 and 32 A for wall socket, splashproof
CIE	Inlets, with flange (FL13) on top
CPEF	Plugs with built-in sequence changer
CLF	Plugblocker
CUIT	Socket outlets for extra low voltage, flush mounting, straight
CUIST	Socket outlets for extra low voltage, flush mounting, angled
CUGT	Socket outlets for extra low voltage, surface mounting
CIGT	Inlets for extra low voltage, surface mounting
CST	Connectors for extra low voltage
CPT	Plugs for extra low voltage
BPC	Building site
UJ	Schuko-outlets, metal
GP	Cover
CUE 416-6+	Socket outlets 4-pole, 16 A, 6h with
R/UJP	Schuko 16 A

## Standard voltages

Color codes according to IEC60309-1, -2

Position of earthing sleeve according to IEC 60309-2 (clock)	2P+earth	3P+earth	3P+N+earth
1 All operating voltages and/or currents not stated below	Optional voltage (not stated below)	Optional voltage (not stated below)	Optional voltage (not stated below)
2 Aeronautics/airports, military	>50 V >300-500 Hz 16 A, 32 A	>50 V >300-500 Hz 16 A, 32 A	>50 V >300-500 Hz 16 A, 32 A
3 3-phase only for cooling containers (standardized by ISO)	50-250 V DC	380 V 50 Hz, 440 V 60 Hz 16 A, 32 A	220/380 V 50 Hz, 250/440 V 60 Hz, 16 A, 32 A
4 For example in U.K.	100-130 V 50/60 Hz	100-130 V 50/60 Hz	57/100-75/130 V 50/60 Hz
5 Wind power	277 V 60 Hz	600-690 V 50/60 Hz	647/600-400/690 V 50/60 Hz
6 Most common voltages in Western Europe	200-250 V 50/60 Hz	380-415 V 50/60 Hz	200/346-240/415 V 50/60 Hz
7 Paper mills, steel plants, ship building industry	480-500 V 50/60 Hz	480-500 V 50/60 Hz	480-500 V 50/60 Hz
8	>250 V DC	Not used	Not used
9 For example in Norway	380-415 V 50/60 Hz	200-250 V 50/60 Hz	
10	Not used	>50 V >100-300 Hz	Not used
11 Mainly for marine installations	Not used	440-460 V 60 Hz	
12 Supply from isolating transformer	Supply from isolating transformer		Not used



# Material specifications

Polycarbonate	PC
Polyamide	PA
Polyamide, glass fiber reinforced	PA+glass
Thermoplastic polyester	PBT

<p><b>Easy &amp; Safe</b> IP44, 16-32 A Housing: PA Terminal carrier: PA</p>
<p><b>Tough &amp; Safe</b> IP67, 16-32 A Housing: PBT, Terminal carrier: PA IP67, 63-125 A + IP44, 63 A Housing: PBT, Terminal carrier: PA+glass</p>
<p><b>Critical &amp; Safe</b> IP44 + IP67 Housing: PBT Terminal carrier: PA, PA+glass</p>

	PA	PA+glass	PC	PBT
Impact strength	+		++	++
Tracking index (CTI)	600	500	300	225
UV-stability			+	+
<b>Chemicals</b>				
Acids	-		+	+
Bases	+		-	+
Salts	+		+	+
Oil/grease, mineral	-	+	+	+
Oil/mineral, synthetic	+	-	+	+
<b>Temperature (°C)</b>				
Max 60 min	170	170	140	140
Continuous	100	100	110	110
Flame class	V2	V0	V2	V0 (>0.8 mm) 5VA (>2.5 mm)



**ABB has extensive experience designing and producing industrial plugs and sockets. High functionality, reliability and safety are aspects valued by customers. The high quality along with a robust design results in a range of products that are ideal for heavy-duty applications.**

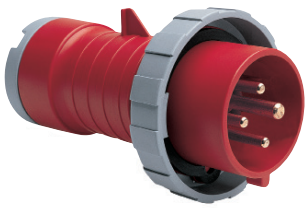
On refrigerator (reefer) containers, industrial plugs and sockets are tested to their extremes. On ships and in harbor terminals, power loss spells disaster. Refrigerator ships are used to transport goods that require temperature regulations, mainly food, in special containers. To meet with the strict demands of this application, powered with 32 A, 440 V 50/60 Hz, ABB offers watertight (IP67) reefer plugs and sockets, 3P+E products with earth sleeve in 3 o'clock position, according to IEC/EN 60309-2.

The wide range of ABB contains plugs, connectors, outlets, inlets as well as interlocked socket outlets and socket outlets with residual current devices and miniature circuit breakers for this application. These products are part of ABB's Tough & Safe and Critical & Safe product groups, all of them designed to be corrosion, impact and UV resistant.



# Industrial plugs and sockets

For reefer containers



P



C



RAU



BAU



BS



RS



MVS



MHS



MPR



MVS



RPM



RL

# Contact us

## ABB AB

Low Voltage Products  
Box 1005  
S-61129 Nyköping, Sweden  
Phone: +46 155 29 50 00

[www.abb.com/lowvoltage](http://www.abb.com/lowvoltage)

© Copyright 2015 ABB. All rights reserved.  
Specification subject to change without notice.



To get more information,  
install QR code reader on  
your mobile device, scan  
the code and see more.

