

Original instructions

# Eden OSSD

## Coded non-contact safety sensor





## Read and understand this document

Please read and understand this document before using the products. Please consult your ABB JOKAB SAFETY representative if you have any questions or comments.

### WARRANTY

ABB JOKAB SAFETY's exclusive warranty is that the products are free from defects in materials and workmanship for a period of one year (or other period if specified) from date of sale by ABB JOKAB SAFETY.

ABB JOKAB SAFETY MAKES NO WARRANTY OR REPRESENTATION, EXPRESSED OR IMPLIED, REGARDING NON-INFRINGEMENT, MERCHANTABILITY, OR FITNESS FOR PARTICULAR PURPOSE OF THE PRODUCTS, ANY BUYER OR USER ACKNOWLEDGES THAT THE BUYER OR USER ALONE HAS DETERMINED THAT THE PRODUCTS WILL SUITABLY MEET THE REQUIREMENTS OR THEIR INTENDED USE. ABB JOKAB SAFETY DISCLAIMS ALL OTHER WARRANTIES, EXPRESSED OR IMPLIED.

### LIMITATIONS OF LIABILITY

ABB JOKAB SAFETY SHALL NOT BE RESPONSIBLE FOR SPECIAL, INDIRECT, OR CONSEQUENTIAL DAMAGES, LOSS OF PROFITS OR COMMERCIAL LOSS IN ANY WAY CONNECTED WITH THE PRODUCTS, WHETHER SUCH CLAIM IS BASED ON CONTRACT, WARRANTY, NEGLIGENCE, OR STRICT LIABILITY.

In no event shall responsibility of ABB JOKAB SAFETY for any act exceed the individual price of the product on which liability asserted.

IN NO EVENT SHALL ABB JOKAB SAFETY BE RESPONSIBLE FOR WARRANTY, REPAIR, OR OTHER CLAIMS REGARDING THE PRODUCTS UNLESS ABB JOKAB SAFETY'S ANALYSIS CONFIRMS THAT THE PRODUCTS WERE PROPERLY HANDLED, STORED, INSTALLED, AND MAINTAINED AND NOT SUBJECT TO ABUSE, MISUSE, OR INAPPROPRIATE MODIFICATION OR REPAIR.

### SUITABILITY FOR USE

ABB JOKAB SAFETY shall not be responsible for conformity with any standards, codes, or regulations that apply to the combination of products in the customer's application or use of the product. At the customer's request, ABB JOKAB SAFETY will provide applicable third party certification documents identifying ratings and limitations of use that apply to the products. This information by itself is not sufficient for a complete determination of the suitability of the products in combination with the end product, machine, system, or other application or use.

The following are some examples of applications for which particular attention must be given. This is not intended to be an exhaustive list of all possible uses of the products, nor is it intended to imply that the uses listed may be suitable for the products:

- Outdoor use, uses involving potential chemical contamination or electrical interference, or conditions or uses not described in this document.
- Nuclear energy control systems, combustion systems, railroad systems, aviation systems, medical equipment, amusement machines, vehicles, and installations subject to separate industry or government regulations.
- Systems, machines, and equipment that could present a risk to life or property.

Please know and observe all prohibitions of use applicable to the products.

NEVER USE THE PRODUCTS FOR AN APPLICATION INVOLVING SERIOUS RISK TO LIFE OR PROPERTY WITHOUT ENSURING THAT THE SYSTEM AS A WHOLE HAS BEEN DESIGNED TO ADDRESS THE RISKS, AND THAT THE ABB JOKAB SAFETY PRODUCT IS PROPERLY RATED AND INSTALLED FOR THE INTENDED USE WITHIN THE OVERALL EQUIPMENT OR SYSTEM.

### PERFORMANCE DATA

While every effort has been taken to ensure the accuracy of the information contained in this manual ABB JOKAB SAFETY cannot accept responsibility for errors or omissions and reserves the right to make changes and improvements without notice. Performance data given in this document is provided as a guide for the user in determining suitability and does not constitute a warranty. It may represent the result of ABB JOKAB SAFETY'S test conditions, and the users must correlate it to actual application requirements. Actual performance is subject to the ABB JOKAB SAFETY Warranty and Limitations of Liability.

# Table of Contents

<b>1</b>	<b>Introduction</b>	<b>5</b>
	Scope	5
	Audience	5
	Prerequisites	5
	Special notes	5
<b>2</b>	<b>Overview</b>	<b>6</b>
	General description	6
	Safety regulations	6
<b>3</b>	<b>Models of Adam and Eva</b>	<b>7</b>
	Adam OSSD	7
	Eva	7
<b>4</b>	<b>Electrical connections</b>	<b>8</b>
	Adam OSSD-Info M12-8	8
	Adam OSSD-Reset M12-8	8
	Adam OSSD-Info M12-5	9
	Adam OSSD-Reset M12-5	9
	Connection of cable C5, C8 in M12 C01-C04 connectors	10
	Information output signal attributes	10
	Connection of Reset button on Adam OSSD-Reset	11
<b>5</b>	<b>Connection examples</b>	<b>14</b>
	Adam OSSD-Info connected to RT9	14
	Several Adam OSSD-Info connected in series	14
<b>6</b>	<b>Installation</b>	<b>15</b>
	General information	15
	Minimum safety distance	15
	Detection distance	16
	Mounting	17
	Mounting procedure	18
	Teaching the code	19
	How to program a new Adam without code, to accept a new Eva	19
	How to erase existing codes from Adam M12-5	19
	How to erase existing codes from Adam M12-8	19
	Replacing Eva	19
	Testing the safety functions	20
<b>7</b>	<b>LED indication</b>	<b>21</b>
<b>8</b>	<b>Maintenance</b>	<b>22</b>
	Troubleshooting	22

<b>9 Model overview</b> .....	<b>23</b>
Accessories.....	23
Cables.....	24
<b>10 Technical data</b> .....	<b>25</b>
Guideline for chemical resistance.....	27
Eden dimensions.....	28
CAD model.....	28
<b>11 EC Declaration of conformity</b> .....	<b>29</b>

# 1 Introduction

## Scope

The purpose of these instructions is to describe the non-contact coded digital safety sensor Eden OSSD and to provide the necessary information required for installation and operation.

## Audience

This document is intended for authorized installation personnel.


## Prerequisites

It is assumed that the reader of this document has knowledge of the following:

- Basic knowledge of ABB Jokab Safety products.
- Knowledge of machine safety.

## Special notes

Pay attention to the following special notes in the document:

 **Warning!** Danger of severe personal injury!  
An instruction or procedure which, if not carried out correctly, may result in injury to the operator or other personnel.

**Caution!** Danger of damage to the equipment!  
An instruction or procedure which, if not carried out correctly, may damage the equipment.

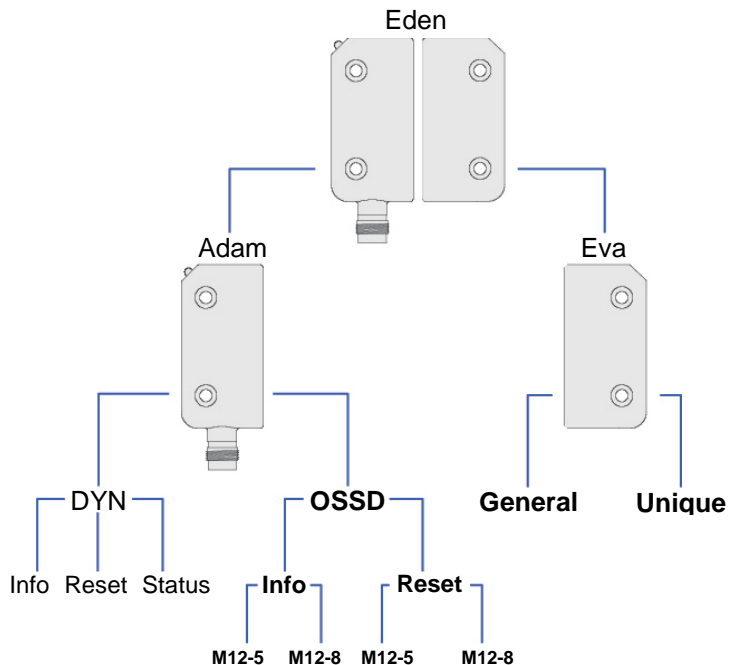
**NB:** Notes are used to provide important or explanatory information.

## 2 Overview

### General description

Eden OSSD sensor consists of two separate devices – Adam and Eva – intended to use as interlocking device for gates, hatches etc. Eva can be general coded or unique coded.

Eden OSSD meets the coding requirements according to EN ISO 14119:2013 regarding manipulation protection.



Eden digital, relation

### Safety regulations

#### Warning!

Carefully read through this entire manual before using the device.

The devices shall be installed by a trained electrician following applicable safety regulations, standards and the Machine directive.

Failure to comply with instructions, operation that is not in accordance with the use prescribed in these instructions, improper installation or handling of the device can affect the safety of people and the plant.

For installation and prescribed use of the product, the special notes in the instructions must be carefully observed and the technical standards relevant to the application must be considered.

In case of failure to comply with the instructions or standards, especially when tampering with and/or modifying the product, any liability is excluded.

### 3 Models of Adam and Eva

Eden communicates with OSSD signals and can be connected to any safety module that handles OSSD-signals. Up to 30 Eden sensors can be connected in series without reducing the achieved performance level. Adam and Eva are acquired separately and it is possible to mix different models of Adam OSSD in the same safety circuit.

#### Adam OSSD

Adam OSSD exists in four different models:



##### Adam OSSD-Info M12-8

OSSD model with information output, and inputs for cascade connection.

##### Adam OSSD-Reset M12-8

OSSD model with built in monitored reset, indication lamp output, and inputs for cascade connection.

##### Adam OSSD-Info M12-5

OSSD model with information output.

##### Adam OSSD-Reset M12-5

OSSD model with built in monitored reset and indication lamp output.

#### Eva

Eva exists in two different models. The Eva units with general code have all the same code. The Eva units with unique code have all a different unique code. The unique variant fulfils the requirements for a high level coded interlocking device according to EN ISO 14119:2013. The Eva with general code fulfils the requirement for a low level coded interlocking device. It is possible to mix different models of Eva in the same safety circuit.



##### Eva General code

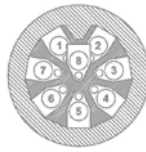
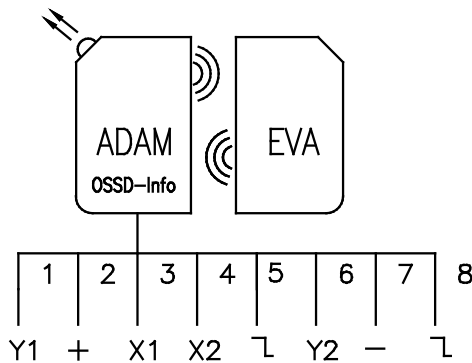
Eva with the same code.

##### Eva Unique code

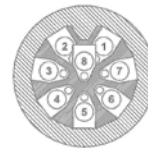
Eva with a unique code.

## 4 Electrical connections

### Adam OSSD-Info M12-8



M12 8-pole male  
from cable side



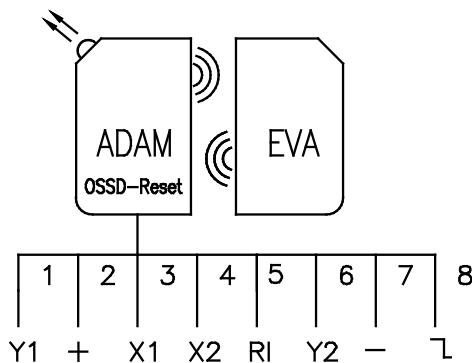
M12 8-pole female  
from cable side

#### M12-connector:

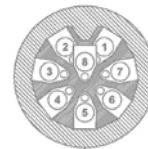
(8-pole male)

- 1) White: OSSD signal 1 Out
- 2) Brown: +24 VDC
- 3) Green: OSSD signal 1 In
- 4) Yellow: OSSD signal 2 In
- 5) Grey: Information
- 6) Pink: OSSD signal 2 Out
- 7) Blue: 0 V
- 8) Red: Information

### Adam OSSD-Reset M12-8



M12 8-pole male  
from cable side



M12 8-pole female  
from cable side

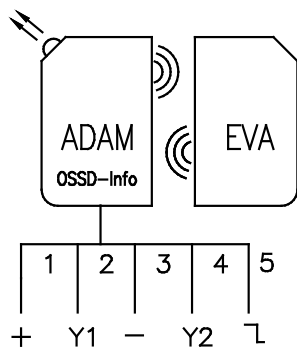
#### M12-connector:

(8-pole male)

- 1) White: OSSD signal 1 Out
- 2) Brown: +24 VDC
- 3) Green: OSSD signal 1 In
- 4) Yellow: OSSD signal 2 In
- 5) Grey: Reset/Indication
- 6) Pink: OSSD signal 2 Out
- 7) Blue: 0 V
- 8) Red: Information



## Adam OSSD-Info M12-5



M12 5-pole male  
from cable side



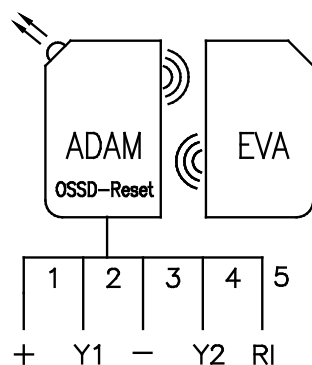
M12 5-pole female  
from cable side

### M12-connector:

(5-pole male)

- 1) Brown: +24 VDC
- 2) White: OSSD signal 1 Out
- 3) Blue: 0 V
- 4) Black: OSSD signal 2 Out
- 5) Grey: Information

## Adam OSSD-Reset M12-5



M12 5-pole male  
from cable side



M12 5-pole female  
from cable side

### M12-connector:

(5-pole male)

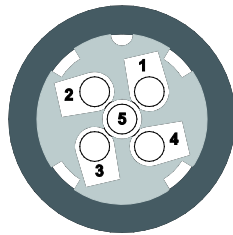
- 1) Brown: +24 VDC
- 2) White: OSSD signal 1 Out
- 3) Blue: 0 V
- 4) Black: OSSD signal 2 Out
- 5) Grey: Reset/Indication

NB: The use of shielded cable is mandatory between Adam OSSD and the rest of the safety circuit.

**Caution!** All cable colours according to ABB Jokab Safety standard cables.

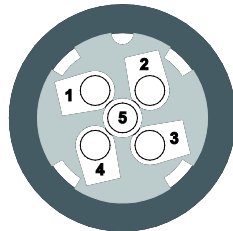
## Connection of cable C5, C8 in M12 C01-C04 connectors

Female 5-pin connector (M12 C01):

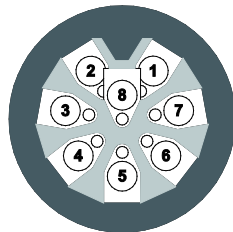
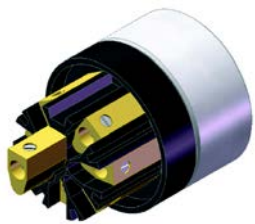


- 1 ) Brown
- 2 ) White
- 3 ) Blue
- 4 ) Black
- 5 ) Grey

Male 5-pin connector (M12 C02):

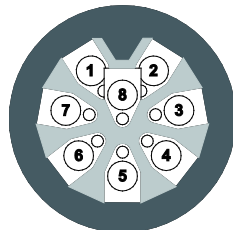
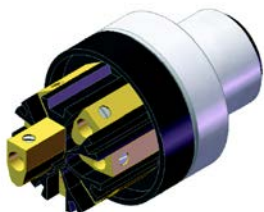


Female 8-pin connector (M12 C03):



- 1 ) White
- 2 ) Brown
- 3 ) Green
- 4 ) Yellow
- 5 ) Grey
- 6 ) Pink
- 7 ) Blue
- 8 ) Red

Male 8-pin connector (M12 C04):



### Information output signal attributes

The Information pins on all Adam OSSD models are set high (+24 VDC) when Eva is detected as present, otherwise they are set as low.

The maximum current consumption for the information outputs are 15 mA (8-pin) and 30 mA (5-pin).

**⚠ Warning!** The information output signal is not a failsafe signal and must **never** be used for the safety purpose(s).

## Connection of Reset button on Adam OSSD-Reset

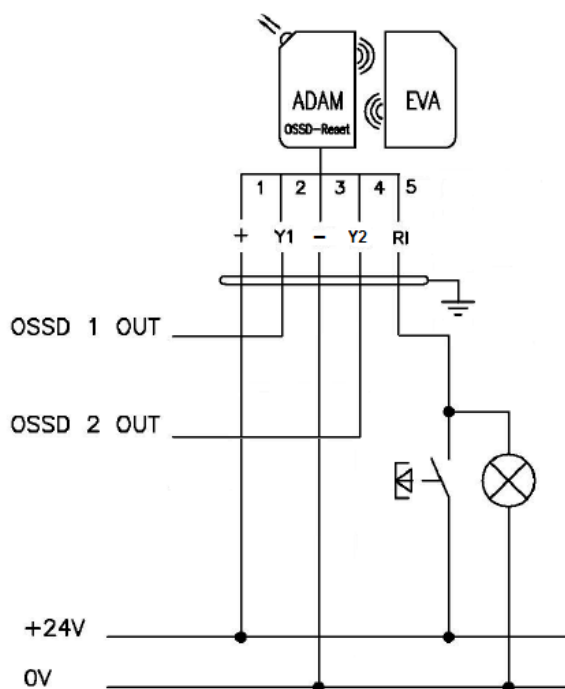
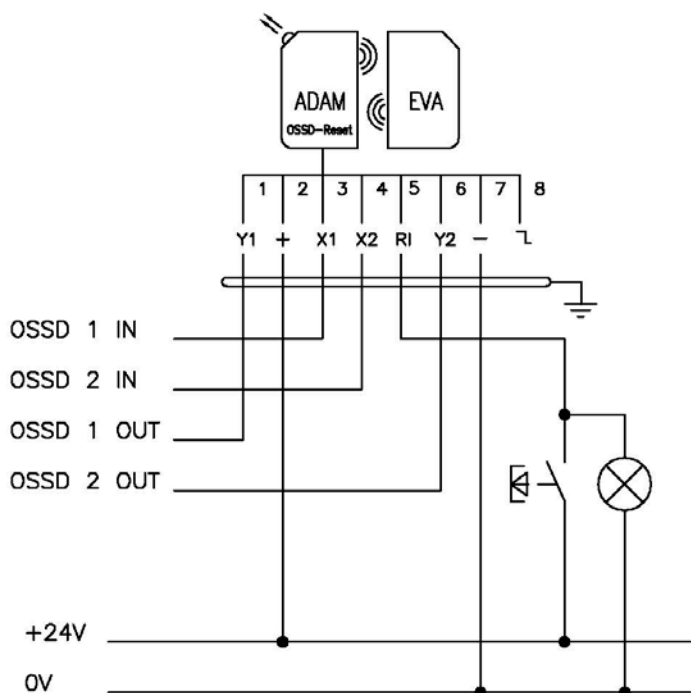
Adam OSSD-Reset is a model prepared for monitored local reset. A reset light button can be connected to pin 5 and Adam OSSD handles the monitored reset and the indication lamp of the Reset button. Each Eden with a local reset can be reset individually and independently of the others. Only when all Eden units in the safety circuit have been reset, the safety circuit itself is reset and the machine can be restarted.

Any button with a NO-contact and an indication lamp can be used. See electrical connection below. The maximum current consumption for the indication lamp is 30 mA. Smile 12RF and Smile 12RG are Reset buttons with indication lamps from ABB Jokab Safety indented to be used together with Adam OSSD-Reset. The minimum current consumption needed through the lamp is 10 mA. If no lamp is used, a 4.7 kOhm resistor can be used instead.

The reset signal is accepted as valid only when the reset signal is high for more than 100 ms but less than 3 s.

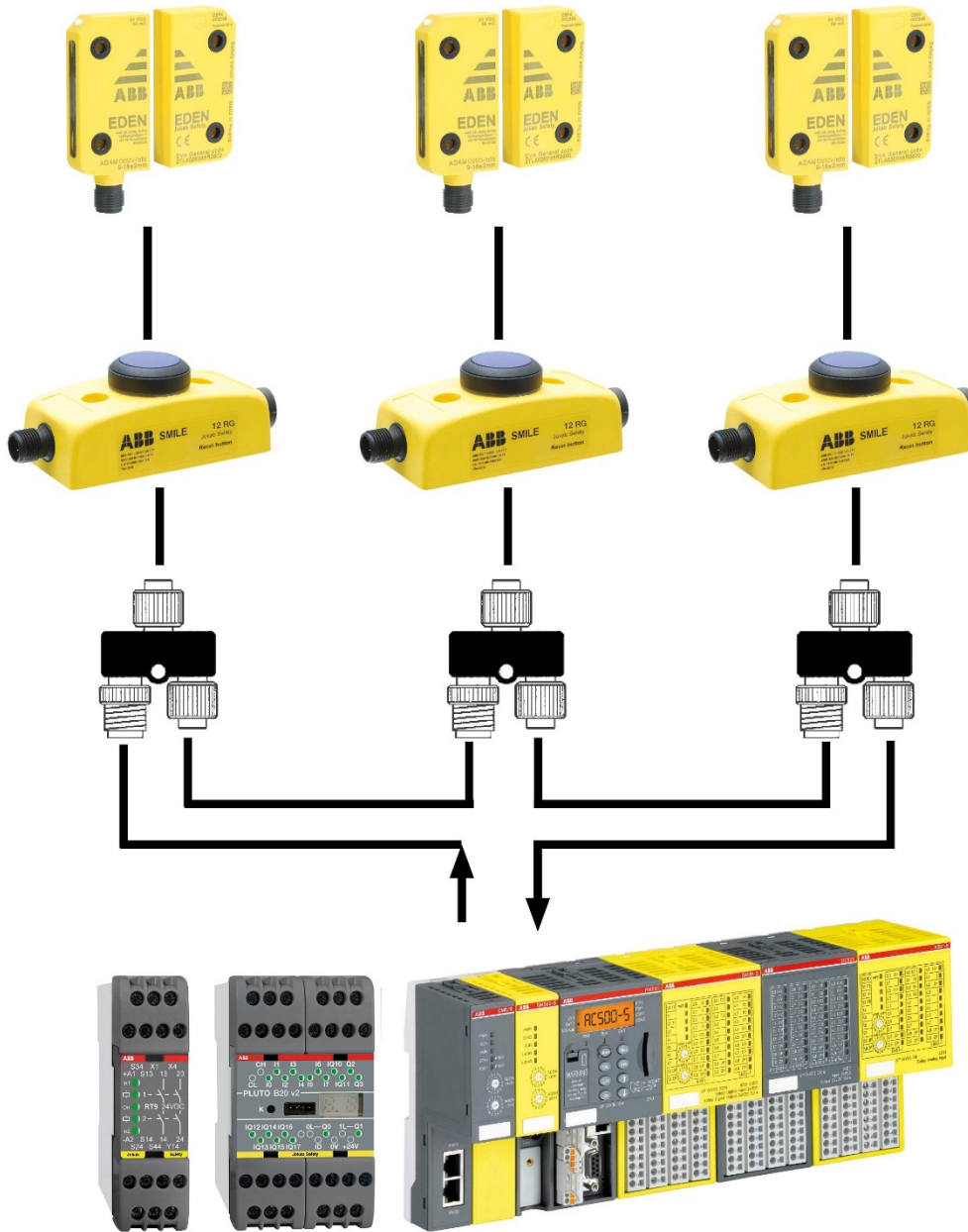
Cable length between Reset button and Adam sensor: max 10 m.

Reset indication lamp status	Description
On:	No valid Eva is detected, safety circuit is open.
Flash (0.4 s ON / 0.6 s OFF):	Valid Eva is detected. Waiting for reset.
Off:	The Reset button has been pressed and the safety circuit is closed.

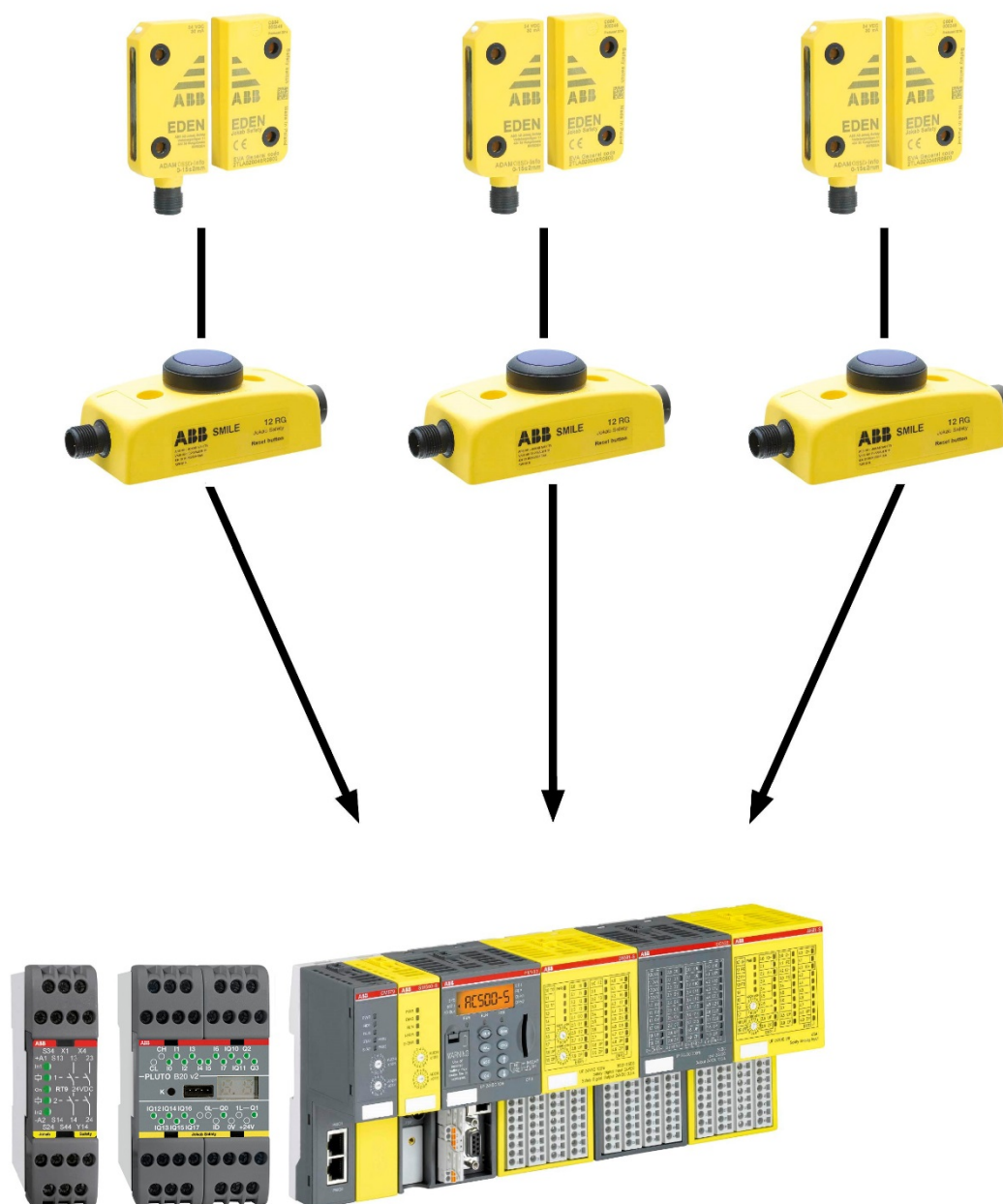


NB: OSSD IN can be contacted directly to +24 VDC if no previous OSSD unit exist in the safety chain.

**Warning!** Several Eden must **not** be connected in parallel to a common Reset button. Each Eden must be separately connected to a local reset.



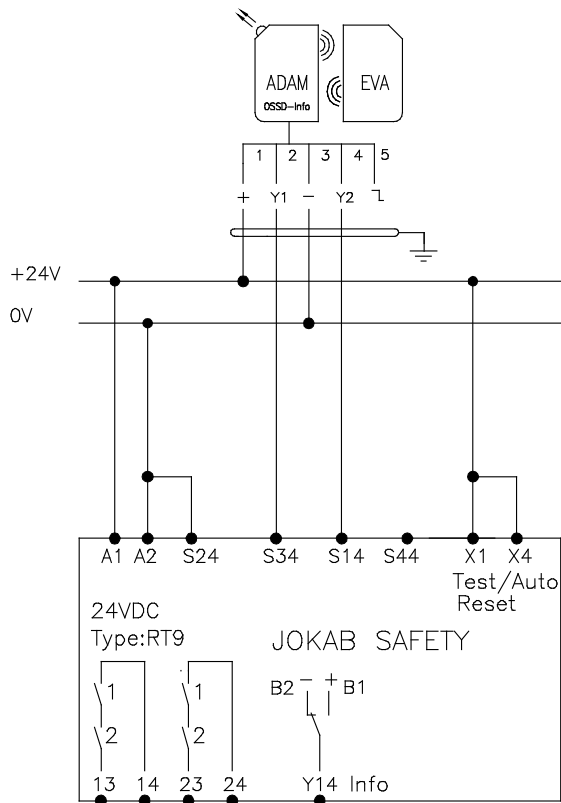
Serial connection of three Adam OSSD-Reset M12-8 through M12-3G with Smile 12RG to a safety relay, Pluto or another safety-PLC (i.e. ABB AC500-S).



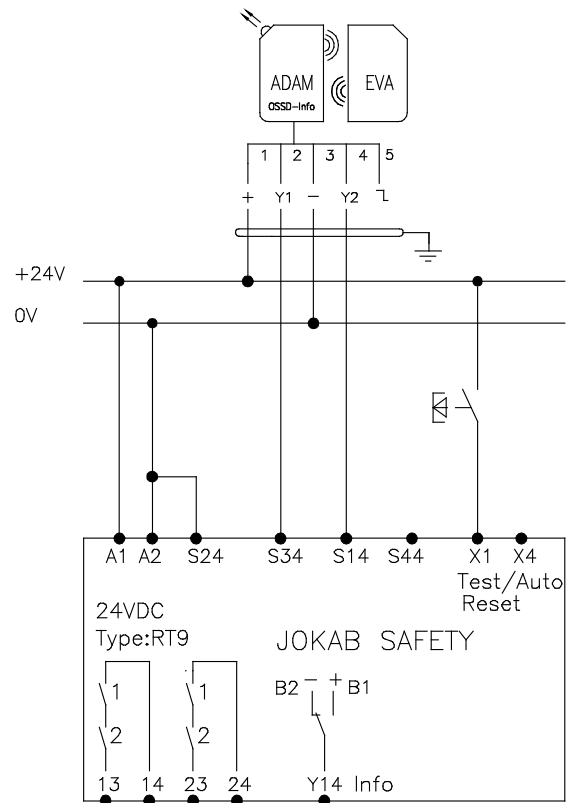
Individual connection of three Adam OSSD-Reset M12-5 with Smile 12RF to a Pluto or another safety-PLC (i.e. ABB AC500-S).

## 5 Connection examples

### Adam OSSD-Info connected to RT9

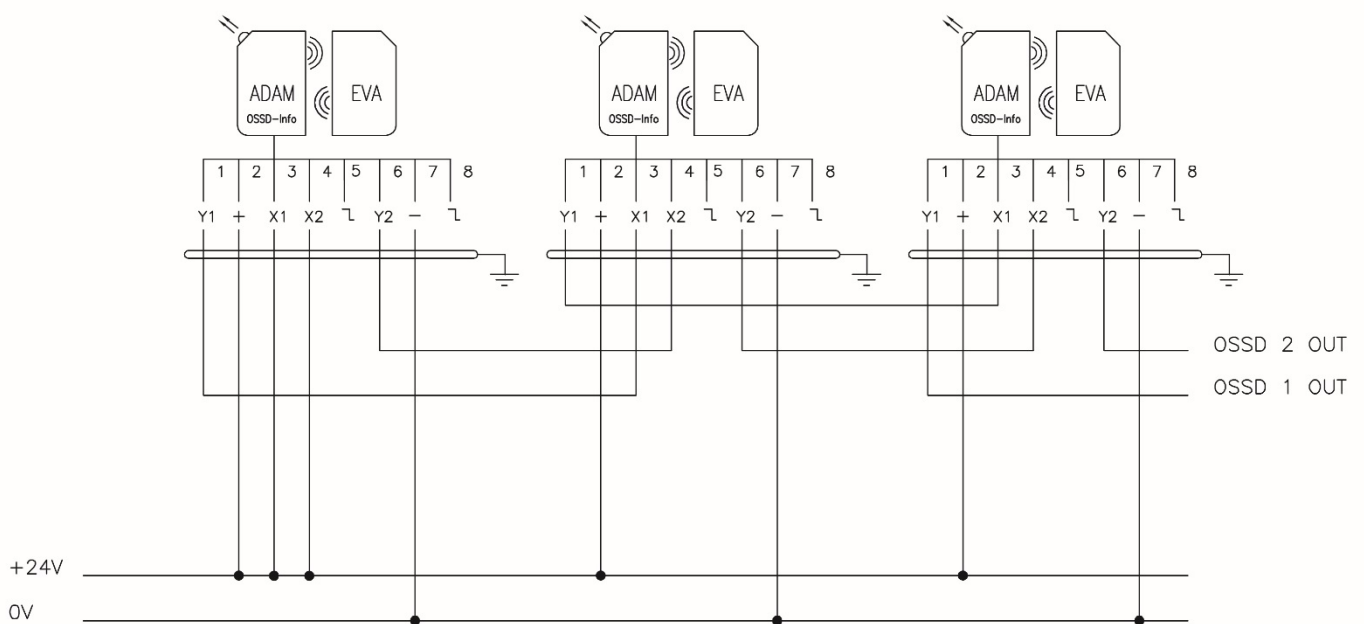


A) Adam OSSD-M12-5 connected to RT9 with automatic reset.



B) Adam OSSD-M12-5 connected to RT9 with manual reset.

### Several Adam OSSD-Info connected in series



A) Three Adam OSSD-M12-8 connected in series.

## 6 Installation

### General information

#### Warning!

All the safety functions must be tested before starting up the system.

- Note that the detection distance can be affected when Eden is mounted close to metal.
- The Eden can be mounted on metal, but should not be surrounded.
- The  $S_{ar}$  distance should be used in calculations (e.g. for minimum safety distance).
- Verify that Adam and Eva are aligned in parallel to each other.

### Minimum safety distance

When using interlocking guards without guard locking to safeguard a hazard zone, the minimum allowed safety distance between the guarded opening and the hazardous machine must be calculated. In order to ensure that the hazardous machine motion will be stopped before it can be reached, the minimum safety distance is calculated according to EN ISO 13855:2010 ("Positioning of safeguards with respect to the approach speeds of parts of the human body").

The minimum safety distance is calculated according to the formula:

$$S = (K \times T) + C$$

Where

**S** = minimum safety distance (mm).

**K** = approach speed of a human body; 1 600 mm/s.

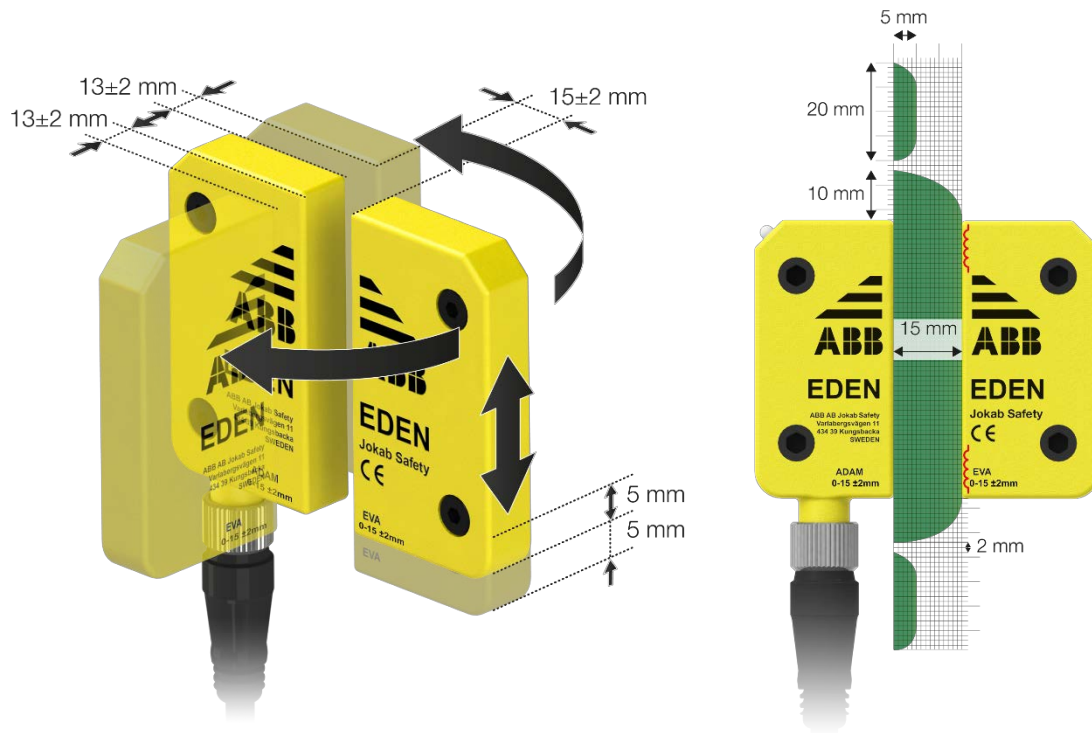
**T** = the total time from opening of the guard until the hazardous machine movement has stopped, i.e. including control system reaction times and other delay(s).

**C** = a safety distance taken from Table 4 or Table 5 of EN ISO 13857:2008, if it is possible to push fingers or a hand through the opening towards the hazard before a stop signal is generated.

NB: In some cases, **T** might be reduced by the opening time of the guard until the opening size permits access of the relevant parts of the body. Refer to EN ISO 13855:2010 for further details and EN ISO 13857:2008 for specified values.

## Detection distance

Eva can be turned in a number of different ways relative to Adam, see details in the figure below. The green fields in the picture show the detection distance of Adam relative to Eva. The safety signal is high when the two coils in Eva is in contact with the green field.



The figure above shows maximum detection distances.

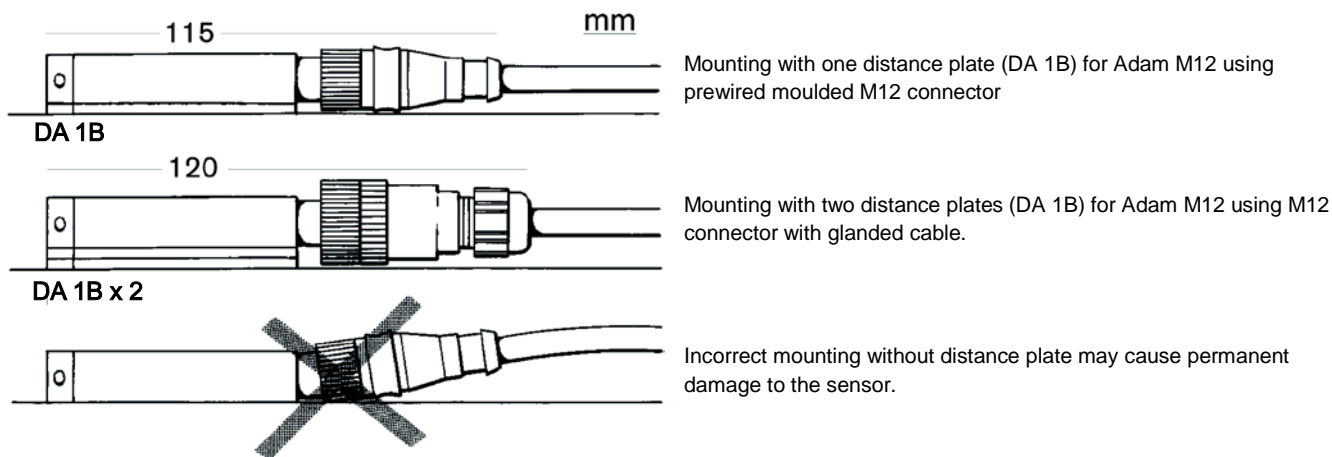
Detection distance between Adam and Eva:	0–15 mm +/- 2 mm
Recommended distance between Adam and Eva:	7 mm
Minimum distance between two Eden pairs:	100 mm

**Caution!** The detection distance can be affected if Eden is mounted close to metal. Distance plate DA 1B should be used to prevent the effect.



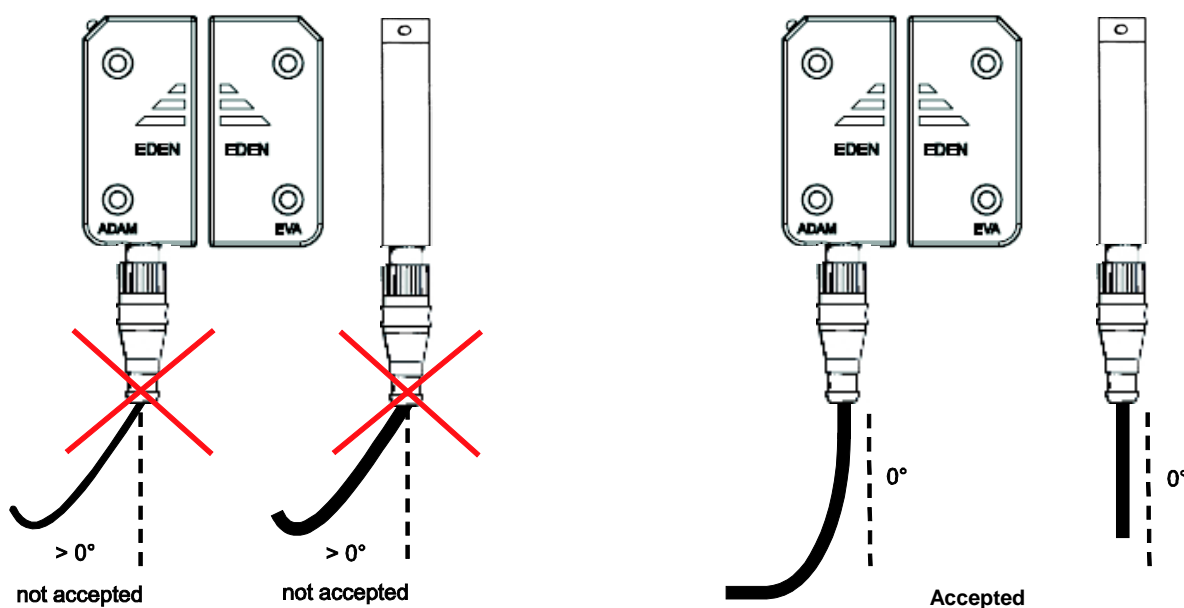
## Mounting

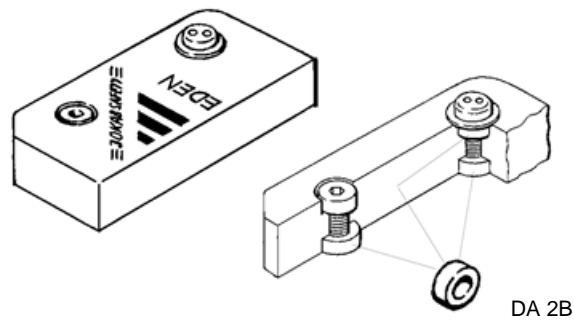
Depending on the cable connector used for the connection to Eden, one or two distance plates might be required for correct mounting in order to avoid damaging Adam. It is recommended to use the distance plates (DA 1B) supplied with the Adam models with M12 connector (Adam M12), see figure below. Also, the mounting spacers supplied must be used in order to physically protect Eden from damage.



The cable should be mounted so that no force is applied on Adam in any directions. The cable should be fixed if it is connected to a moving object, for example a cable chain or a door. This can be done with for example two cable clamps.

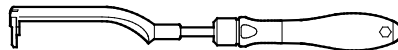
**Caution!** An improperly installed cable can damage the sensor.





## Mounting procedure

1. Fasten each sensor with two M4 screws. Safety screw SM4x20 (2TLA020053R4200) is recommended. The DA 2B mounting spacer must be used in order to physically protect Eden from damage.
2. Use max tightening torque 1.0 Nm on screws.
3. Lock screw with Loctite or similar if necessary to prevent easy dismounting (refer to risk assessment).
4. Tighten the M12 contact with tightening torque 0.6 Nm. A torque wrench is recommended to ensure a tight connection and IP69K.



Torque wrench for M12-connector.

## Teaching the code

Adam is delivered without code and need to be programmed with the code from an Eva (General or Unique coded). The code of the first Eva detected by the Adam is automatically programmed as soon as Eva is within the detection distance. If Adam is programmed to accept an Eva with a general code, it will accept all Eva units with a general code. If it is programmed to accept an Eva with unique code, it will only accept the unique code of that specific Eva.

Note that it is possible to teach more than one Adam unit to accept the same Eva unit. This is for example applicable on a sliding door or for machine positioning.

## How to program a new Adam without code, to accept a new Eva

1. Bring the Eva in the range of Adam.
2. Connect the Adam without code to the power supply.
3. The LED on Adam will turn green when the programming procedure is finished.

NB: The programming procedure is taking place only at startup of Adam. Eva must be in range at this time.

NB: If the teaching procedure fails, Adam enters a fail-safe mode and its red LED starts flashing fast. Cycle the power and restart the teaching code procedure.

**Caution!** The Eva must not be removed during the teaching procedure.

## How to erase existing codes from Adam M12-5

1. Remove Eva from Adam's detection range.
2. Disconnect the power supply on pin 1 on the Adam unit.
3. Connect +24 VDC to pin 2 and 4.
4. Connect the power supply on pin 1 on the Adam unit.
5. After 5-10 sec the light turns green, then immediately disconnect pin 2 and 4 from +24 VDC.
6. The Adam unit will now be reset and its LED will flash red.
7. Follow normal installation procedure to install Adam again.

NB: If the pin 2 and 4 on the Adam unit is not disconnected from +24 VDC within 5–10 s, Adam enters the fail-safe mode and the red LED starts flashing fast. It is then necessary to restart the procedure from the beginning.

## How to erase existing codes from Adam M12-8

1. Remove Eva from Adam's detection range.
2. Disconnect the power supply on pin 2 on the Adam unit.
3. Connect +24 VDC to pin 1 and 6.
4. Connect the power supply on pin 2 on the Adam unit.
5. After 5-10 sec the light turns green, then immediately disconnect pin 1 and 6 from +24 VDC.
6. The Adam unit will now be reset and its LED will flash red.
7. Follow normal installation procedure to install Adam again.

NB: If pin 1 and 6 on the Adam unit are not disconnected from +24 VDC within 5-10 s, Adam enters the fail-safe mode and the red LED starts flashing fast. It is then necessary to restart the procedure from the beginning.

## Replacing Eva

When an Eva should be replaced, the used one needs to be deleted from the Adam sensor. To delete Eva from the internal memory, follow the instructions in How to erase existing codes from Adam M12-x.

When Adam is reset and the LED flashes red: disconnect the power supply, move the new Eva within detection distance and reconnect the power supply again. The green LED is lighted and the teaching of the new Eva's code into Adam is done.

## Testing the safety functions

Make sure the safety unit and safety module is working properly by following these steps:

1. Interrupt Eden output by moving Eva away from Adam. The LED will light red when Eva is out of range of Adam.
2. Interrupt the OSSD safety circuit before the unit to be tested. The LED will flash between green and red.
3. Move Eva to a position next to Adam. The LED will light green if the safety circuit(s) before this unit is not interrupted.
4. An additional function test can be made by slowly moving Eva away from Adam. The LED will flash fast green when Eva is 2 mm from the maximum detection distance to Adam.

## 7 LED indication

The non-safe status LED on Adam shows the status of the Eden sensor and the output status as follows:

LED on Adam	Description	Safety circuit
Green	Valid Eva within range	Closed
Flashing green	Valid Eva within range, waiting for reset	Open
Flashing red/green	Valid Eva within range, no valid in signal	Open
Red	Valid Eva out of range	Open
Fast flashing green	Valid Eva is within 2 mm from the maximum detection distance	Closed
Fast flashing red	Fail-safe mode	Open
Flashing red	No Eva programmed	Open
Flashing red/red/green	Input channel fault	Open

## 8 Maintenance

**Warning!** The safety functions and the mechanics shall be tested regularly, at least once every year to confirm that all the safety functions are working properly (EN 62061:2005).

**Warning!** In case of breakdown or damage to the product, contact ABB Jokab Safety. Do not try to repair the product. It might accidentally cause permanent damage, impairing the safety of the device and in turn lead to serious personnel injuries.

### Troubleshooting

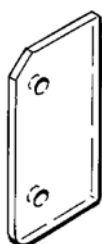
LED on Adam	Expected causes of faults	Corrective actions
Lights red	Eva away from Adam	Move Eva closer to Adam.
	Metal between Adam and Eva	Remove the metal.
No light	Loss of power supply	Check +24 VDC / 0 V power supply
Lights green (but no OSSD output detected)	Defect signal input to unit	Check the input or the unit before in the safety circuit.
Lights green/red (flashing)	No input (Eva in position with Adam)	Check the unit before in the safety circuit (make it active).
Fast flashing red	Fail-safe mode	<ol style="list-style-type: none"> <li>1. Power cycle</li> <li>2. Erase and reattach code</li> <li>3. Replace unit</li> </ol>
Fast flashing green	At end of detection distance	Move Eva closer to Adam.

## 9 Model overview

Type	Article number	Description
Adam OSSD-Info M12-5	2TLA020051R5400	Pin 5: Information
Adam OSSD-Info M12-8	2TLA020051R5700	Pin 5 and 8: Information
Adam OSSD-Reset M12-5	2TLA020051R5600	Pin 5: Reset/Indication
Adam OSSD-Reset M12-8	2TLA020051R5900	Pin 5: Reset/Indication, Pin 8: Information
Eva General code	2TLA020046R0800	General code
Eva Unique code	2TLA020046R0900	Unique code

### Accessories

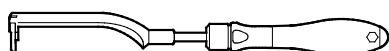
Type	Article number	Description
DA 1B	2TLA020053R0700	Distance plate in yellow PBT
DA 2B	2TLA020053R0300	Mounting spacer
SM4x20	2TLA020053R4200	Safety screw for mounting Adam and Eva
SBIT	2TLA020053R5000	Safety screwdriver bit
Smile 12RG Reset button	2TLA030053R2700	Reset button for Eden with 8 pins
Smile 12RF Reset button	2TLA030053R2600	Reset button for Eden with 5 pins
M12-3G	2TLA020055R0700	Y-connector for serial connection
Torque wrench	2TLA020053R0900	For M12 contact



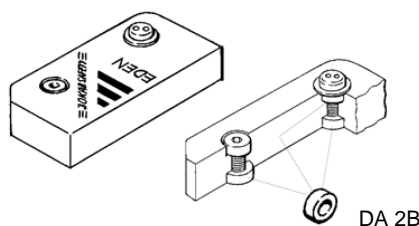
Distance plate DA 1B



Safety screws and screwdriver bit



Torque wrench for M12-connector



DA 2B

## Cables

Type	Article number	Description
M12-C61	2TLA020056R0000	6 m cable 5 x 0.34 mm <sup>2</sup> Shielded cable with straight M12 female connector
M12-C101	2TLA020056R1000	10 m cable 5 x 0.34 mm <sup>2</sup> Shielded cable with straight M12 female connector.
M12-C201	2TLA020056R1400	20 m cable 5 x 0.34 mm <sup>2</sup> Shielded cable with straight M12 female connector.
M12-C112	2TLA020056R2000	1 m cable 5 x 0.34 mm <sup>2</sup> Shielded cable with straight M12 female connector and male connector. Shielded cable connected to pin 3 (0 V) on male connector.
M12-C312	2TLA020056R2100	3 m cable 5 x 0.34 mm <sup>2</sup> Shielded cable with straight M12 female connector and male connector. Shielded cable connected to pin 3 (0 V) on male connector.
M12-C612	2TLA020056R2200	6 m cable 5 x 0.34 mm <sup>2</sup> Shielded cable with straight M12 female connector and male connector. Shielded cable connected to pin 3 (0 V) on male connector.
M12-C1012	2TLA020056R2300	10 m cable 5 x 0.34 mm <sup>2</sup> Shielded cable with straight M12 female connector and male connector. Shielded cable connected to pin 3 (0 V) on male connector.
M12-C2012	2TLA020056R2400	20 m cable 5 x 0.34 mm <sup>2</sup> Shielded cable with straight M12 female connector and male connector. Shielded cable connected to pin 3 (0 V) on male connector.
M12-C63	2TLA020056R3000	6 m cable 8 x 0.34 mm <sup>2</sup> Shielded cable with straight M12 female connector.
M12-C103	2TLA020056R4000	10 m cable 8 x 0.34 mm <sup>2</sup> Shielded cable with straight M12 female connector.
M12-C203	2TLA020056R4100	20 m cable 8 x 0.34 mm <sup>2</sup> Shielded cable with straight M12 female connector.
M12-C134	2TLA020056R5000	1 m cable 8 x 0.34 mm <sup>2</sup> Shielded cable with straight M12 female connector and male connector.
M12-C334	2TLA020056R5100	3 m cable 8 x 0.34 mm <sup>2</sup> Shielded cable with straight M12 female connector and male connector.



M12-C312



## 10 Technical data

<b>Manufacturer</b>	
Address	ABB JOKAB SAFETY Varlabergsvägen 11 S-434 39 Kungsbacka Sweden
<b>Power supply</b>	
Rated operating voltage	+24 VDC +15 % -40 %
Total current consumption	30 mA at +24 VDC 35 mA at 18 VDC (45 mA at 12 VDC)
Pin 5 (Information/Reset button pin)	Max 30 mA (VCC – 4 V)
Pin 8 (Information)	Max 15 mA (VCC – 4 V)
OSSD outputs (signal 1 and 2 Out)	Max 50 mA per output (VCC – 4 V).
<b>Electrical data</b>	
Voltage drop (OSSD. out)	2.5 V at 25 mA at 50 mA
OFF-state current (OSSD. out)	< 3 $\mu$ A
Transponder frequency	4 MHz
Max. switching frequency	1 Hz
<b>Environmental data</b>	
EMC	EN 60947-5-3:2013
Ambient temperature	Storage: -40...+70°C Operation: -40...+70°C
Humidity range	35 % to 85 % (with no icing or condensation)
<b>Times</b>	
Switch-on delay power on	2 s
Response time at activation	< 150 ms
Response time at deactivation	First unit: < 30 ms For each added unit: < 5 ms
Risk time	First unit: < 30 ms For each added unit: < 5 ms
Useful lifetime / mission time	20 years
<b>Mechanical data</b>	
Protection class	IP67/IP69K
Enclosure type rating	Type 1
Material	Housing: Polybutylene terephthalate (PBT) Moulding: Epoxy
Connector	M12 8-pole male M12 5-pole male Torque: 0.6 Nm
Mounting	Screw torque: 1.0 Nm
Weight	Adam M12: 80 g Eva: 70 g
Colour	Yellow, grey text
Assured release distance ( $S_{ar}$ )	25 mm
Assured operating distance ( $S_{ao}$ )	10 mm
Rated operating distance ( $S_n$ )	15 +/- 2 mm
Hysteresis	1–2 mm

### Information for use in USA / Canada

Enclosure	Type 1, 4, 4x																		
Intended use	Applications according to NFPA 79																		
Power source	<p>Only suitable for use in a limited voltage / current circuitry. The limited voltage / current source must comply with one of the following:</p> <p>a) An isolating device such that the maximum open circuit voltage potential available to the circuit is not more than +24 VDC and the current is limited to a value not exceeding 8 A measured after 1 min of operation.</p> <p>or</p> <p>b) A suitable isolating source in conjunction with a fuse in accordance with UL248. The fuse shall be rated max. 4 A and be installed in the +24 VDC power supply to the device in order to limit the available current.</p>																		
Cable assemblies	Any listed (CYJV/7), M12: 4-pin, 5-pin, or 8-pin A-coding mating connector. Cord provided shall be 24 AWG (0.2 mm <sup>2</sup> ) minimum when one end is provided with leads for connection to the source, 30 AWG (0.05 mm <sup>2</sup> ) minimum when connectors are provided on both ends.																		
Conductor size	<p>Maximum ampere ratings of the overcurrent protection:</p> <table border="1"> <thead> <tr> <th>AWG</th> <th>(mm<sup>2</sup>)</th> <th>Ampere</th> </tr> </thead> <tbody> <tr> <td>22</td> <td>(0.32)</td> <td>3</td> </tr> <tr> <td>24</td> <td>(0.20)</td> <td>2</td> </tr> <tr> <td>26</td> <td>(0.13)</td> <td>1</td> </tr> <tr> <td>28</td> <td>(0.08)</td> <td>0.8</td> </tr> <tr> <td>30</td> <td>(0.05)</td> <td>0.5</td> </tr> </tbody> </table>	AWG	(mm <sup>2</sup> )	Ampere	22	(0.32)	3	24	(0.20)	2	26	(0.13)	1	28	(0.08)	0.8	30	(0.05)	0.5
AWG	(mm <sup>2</sup> )	Ampere																	
22	(0.32)	3																	
24	(0.20)	2																	
26	(0.13)	1																	
28	(0.08)	0.8																	
30	(0.05)	0.5																	

### Safety / Harmonized Standards

EN 61508:2010	SIL3, PFH <sub>d</sub> : 4.5 x 10 <sup>-9</sup>
EN 62061:2005	SIL3
EN ISO 13849-1:2015	Category 4, PLe
EN 60947-5-3:2013	PDF-M
EN ISO 14119:2013	Type 4, high level coded (Eva Unique code) Type 4, low level coded (Eva General code)
Certificates	TÜV süd, cULus

## Guideline for chemical resistance

Chemicals	Eden OSSD
<b>Hydrocarbons</b>	
aliphatic	Good
aromatic	Good
halogenated	
- fully	Poor/Fair
- partly	Poor
<b>Alcohols</b>	Good
<b>Phenols</b>	Poor
<b>Ketones</b>	Fair/Good
<b>Amines</b>	Not tested
<b>Esters</b>	Fair/Good
<b>Ethers</b>	Good
<b>Acids</b>	
inorganic	Good
organic	Fair
oxidizing	Poor
<b>Alkalis</b>	Poor
<b>Automotive fluids</b>	
Greases (non-reactive organic esters)	Very good
Oils (unsaturated aliphatic mixtures)	Very good
Waxes (heavy oils)	Very good
Petrol	Very good
Cooling liquid (glycol)	Very good
Brake fluid (heavy alcohol)	Good
Detergents, cleaners	Good
<b>Water</b>	
hot (> 80°C)	Poor
<b>Environmental</b>	
UV	Good

### Very good

- Found unaffected in its performance with regard to time, temperature and stress.

### Good

- Found acceptable in normal exposure.
- Long term exposure may result in minor loss of properties.
- Higher temperatures may result in major loss of properties.

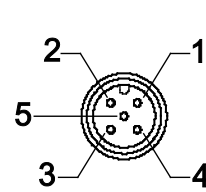
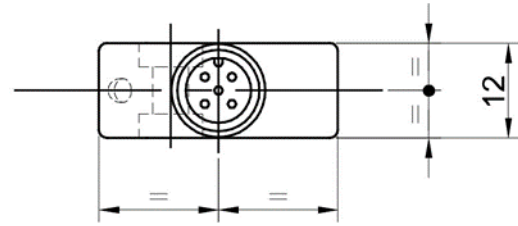
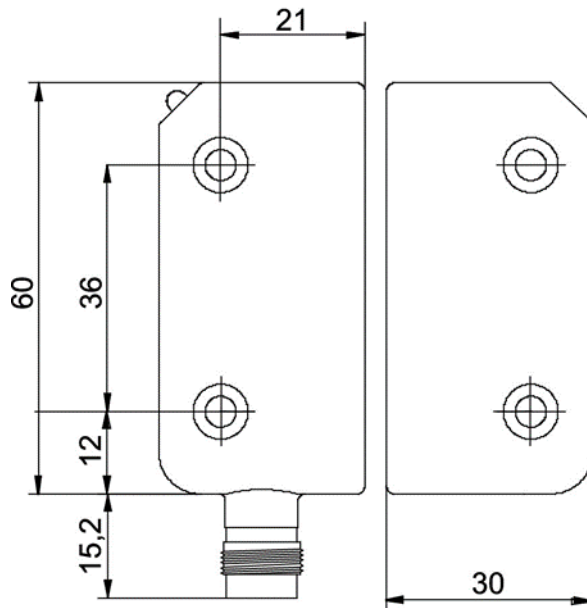
### Fair

- Only for short exposures at lower temperatures or when loss of mechanical properties is not critical.

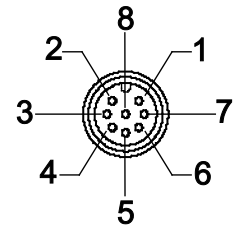
### Poor

- Will result in failure or severe degradation.

## Eden dimensions



Adam M12, 5 pole female. Contact seen from cable side.



Adam M12, 8 pole female. Contact seen from cable side.

NB: All dimensions in millimetres.

## CAD model

For CAD models please visit [www.abb.com/jokabsafety](http://www.abb.com/jokabsafety).

# 11 EC Declaration of conformity



## EC Declaration of conformity

(according to 2006/42/EC, Annex 2A)

<p>We ABB AB JOKAB Safety Varlabergsvägen 11 SE-434 39 Kungälv Sweden</p>	<p>declare that the safety components of ABB AB manufacture with type designations and safety functions as listed below, is in conformity with the Directives 2006/42/EC - Machinery 2014/30/EU - EMC 2011/65/EU - RoHS</p>
<p>Authorised to compile the technical file</p>	<p>ABB AB JOKAB Safety Varlabergsvägen 11 SE-434 39 Kungälv Sweden</p>
<p><b><u>Product</u></b> Non-contact safety sensor Eden OSSD (Adam, Eva)</p>	<p><b><u>Certificate</u></b> Z10 16 07 49833 020</p>
<p>Certification body</p>	<p>TÜV Süd Product Service GmbH Ridlerstrasse 65 80339 München Germany</p>
<p>Used harmonized standards</p>	<p>EN ISO 12100:2010, EN ISO 13849-1:2015, EN 62061:2005/A2:2015, EN 60204-1:2006+A1:2009, EN 60664-1:2007, EN 61000-6-2:2005, EN 61000-6-4:2007, EN 60947-5-3:2013, EN ISO 14119:2013</p>
<p>Other used standards</p>	<p>EN 61508:2010</p>



Tobias Gentzell  
R&D Manager  
Kungälv 2016-09-23

[www.abb.com/jokabsafety](http://www.abb.com/jokabsafety)

Original